

521125-1 ✓ ACTIVE

Positive Lock | Mark II, Positive Lock 187

TE Internal #: 521125-1

Crimp Terminal Housings, Tab, Tab Housing, 1 Position, Straight,  
UL 94V-0, Natural, Nylon, Contact Mating Retention, Positive Lock  
187

[View on TE.com >](#)



Terminals & Splices > Terminal Housings, Insulation Sleeves & Blocks > Crimp Terminal Housings



Terminal Type: **Tab**

Connector & Housing Type: **Tab Housing**

Number of Positions: **1**

Terminal Orientation: **Straight**

UL Flammability Rating: **UL 94V-0**

## Features

### Product Type Features

Sealable	No
Connector & Contact Terminates To	Wire & Cable
Connector & Housing Type	Tab Housing

### Configuration Features

Number of Positions	1
---------------------	---

### Body Features

Primary Product Color	Natural
-----------------------	---------

### Contact Features

Terminal Type	Tab
Terminal Orientation	Straight
Contact Mating Retention	With

### Mechanical Attachment

Mating Alignment Type	Polarization
-----------------------	--------------



Mating Alignment	With
Connector Mounting Type	Cable Mount (Free-Hanging)

### Housing Features

Housing Material	Nylon
------------------	-------

### Dimensions

Product Length	24.75 mm[.974 in]
----------------	-------------------

### Usage Conditions

Operating Temperature Range	-40 – 105 °C[-40 – 221 °F]
-----------------------------	----------------------------

### Industry Standards

UL Flammability Rating	UL 94V-0
------------------------	----------

### Packaging Features

Packaging Quantity	1
Packaging Method	Carton

### Other

Crimp Terminal Housing Comment	Accepts .187 Series positive lock connector.
--------------------------------	--

## Product Compliance

[For compliance documentation, visit the product page on TE.com>](#)

EU RoHS Directive 2011/65/EU	Compliant
EU ELV Directive 2000/53/EC	Compliant
China RoHS 2 Directive MIIT Order No 32, 2016	No Restricted Materials Above Threshold
EU REACH Regulation (EC) No. 1907/2006	Current ECHA Candidate List: JUNE 2023 (235) Candidate List Declared Against: JUNE 2023 (235) Does not contain REACH SVHC
Halogen Content	Low Halogen - Br, Cl, F, I < 900 ppm per homogenous material. Also BFR/CFR/PVC Free
Solder Process Capability	Not applicable for solder process capability

#### Product Compliance Disclaimer

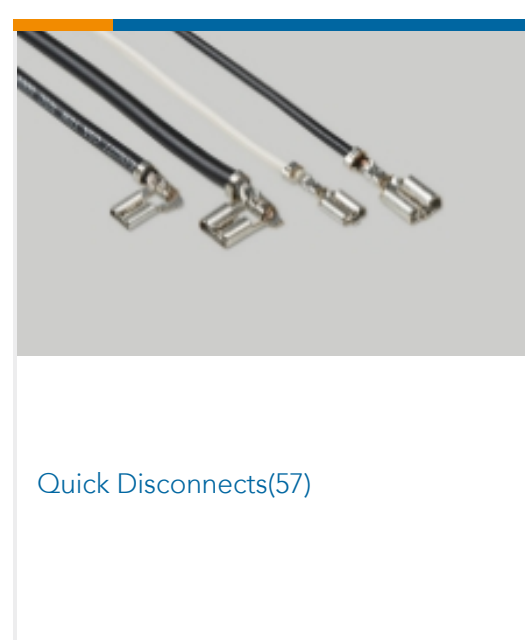
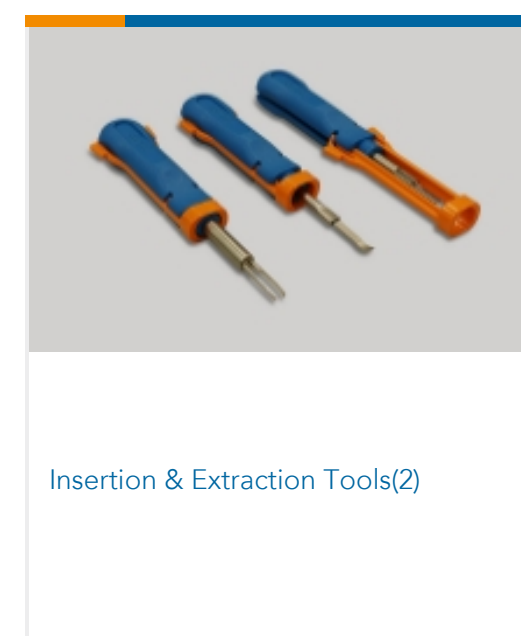
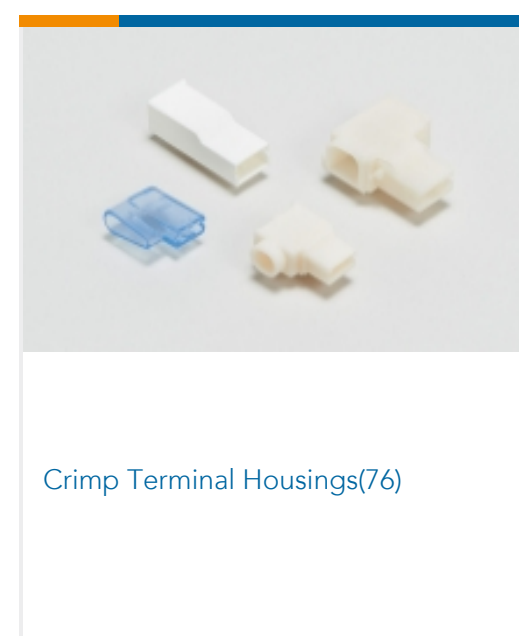
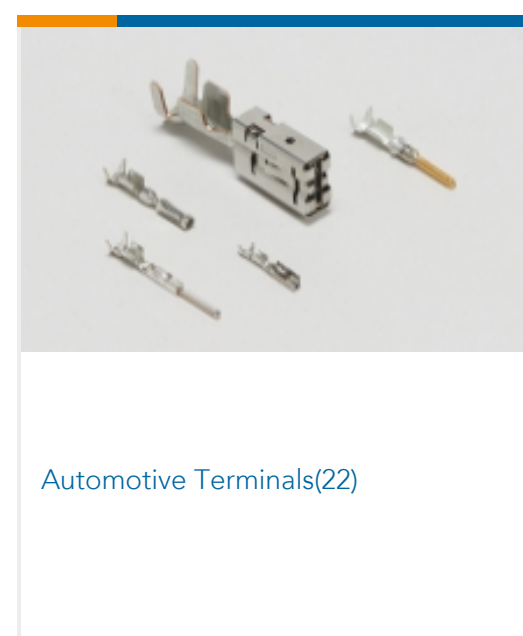
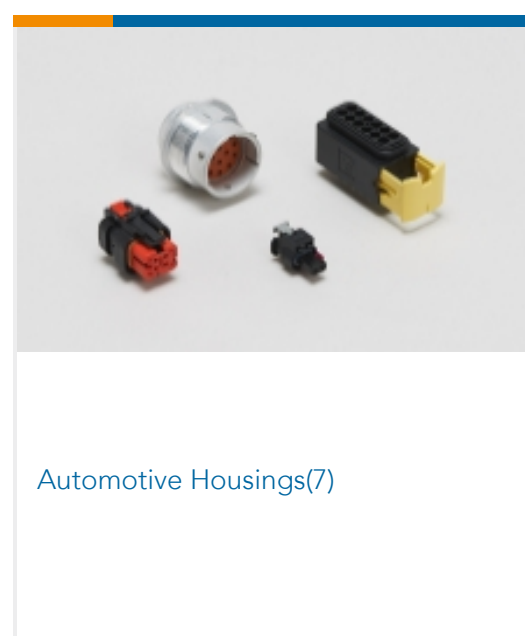
This information is provided based on reasonable inquiry of our suppliers and represents our current actual knowledge based on the information they provided. This information is subject to change. The part numbers that TE has identified as EU RoHS compliant have a maximum concentration of 0.1% by weight in homogenous materials for lead, hexavalent chromium, mercury, PBB, PBDE, DBP, BBP, DEHP, DIBP, and 0.01% for cadmium, or qualify for an exemption to these limits as defined in the Annexes of Directive 2011/65/EU (RoHS2). Finished electrical and electronic equipment products

will be CE marked as required by Directive 2011/65/EU. Components may not be CE marked. Additionally, the part numbers that TE has identified as EU ELV compliant have a maximum concentration of 0.1% by weight in homogenous materials for lead, hexavalent chromium, and mercury, and 0.01% for cadmium, or qualify for an exemption to these limits as defined in the Annexes of Directive 2000/53/EC (ELV). Regarding the REACH Regulation, the information TE provides on SVHC in articles for this part number is based on the latest European Chemicals Agency (ECHA) 'Guidance on requirements for substances in articles' posted at this URL: <https://echa.europa.eu/guidance-documents/guidance-on-reach>

## Compatible Parts



## Also in the Series | Mark II



## Also in the Series | Positive Lock 187



Crimp Terminal Housings(86)



Insertion &amp; Extraction Tools(2)

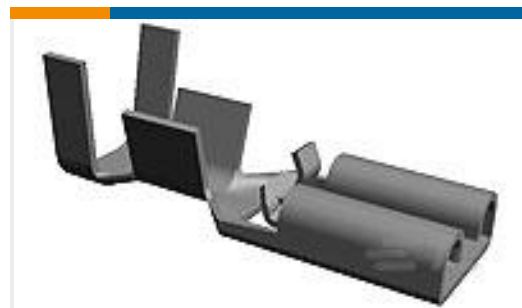
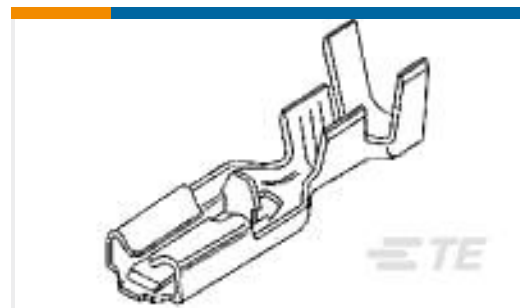
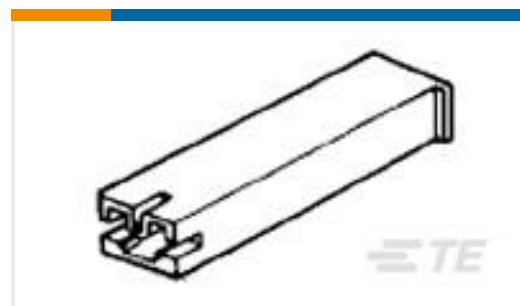


Insulation Boots &amp; Sleeves(7)



Quick Disconnects(55)

## Customers Also Bought

TE Part #1217096-2  
PL 187 RECEPTACLE 18-14 AWG TPBRTE Part #173691-1  
PL 187 REC 20-16 AWG 0.3 X 14.0  
PTBRTE Part #170326-1  
187 PL MKII REC. 18-14AWG PTBRTE Part #T4110411041-000  
M12 F, 4P GOLD B\_CODE S  
SHIELDED PG7TE Part #2-35108-1  
TERMINAL,PIDG R 12-10 8TE Part #172074-2  
POSITIVE LOCK 187 HOUSING  
RECEPTACLETE Part #2-1377172-3  
SMP 0-0160032-0TE Part #NB16622001  
RW-175-3/64-X-STKTE Part #T4111411041-000  
M12 M, 4P GOLD B\_CODE S  
SHIELDED PG7

## Documents

### Product Drawings

[PL 187 HOUSING TAB 0.81 NYLON 6/6](#)

English

### CAD Files

[3D PDF](#)

[3D](#)

### Customer View Model

[ENG\\_CVM\\_CVM\\_521125-1\\_D\\_c-521125-1-d.2d\\_dxf.zip](#)



English

**Customer View Model**

[ENG\\_CVM\\_CVM\\_521125-1\\_D\\_c-521125-1-d.3d\\_igs.zip](#)

English

**Customer View Model**

[ENG\\_CVM\\_CVM\\_521125-1\\_D\\_c-521125-1-d.3d\\_stp.zip](#)

English

By downloading the CAD file I accept and agree to the [Terms and Conditions](#) of use.

---

**Datasheets & Catalog Pages**

**Positive Lock Receptacles**

English

[POS\\_LOCK\\_MII\\_QRG](#)

English

---

**Product Environmental Compliance**

[MD\\_521125-1\\_120720171118\\_dmtec](#)

English

[MD\\_521125-1\\_120720171118\\_dmtec](#)

English

---

**Agency Approvals**

**UL Report**

English