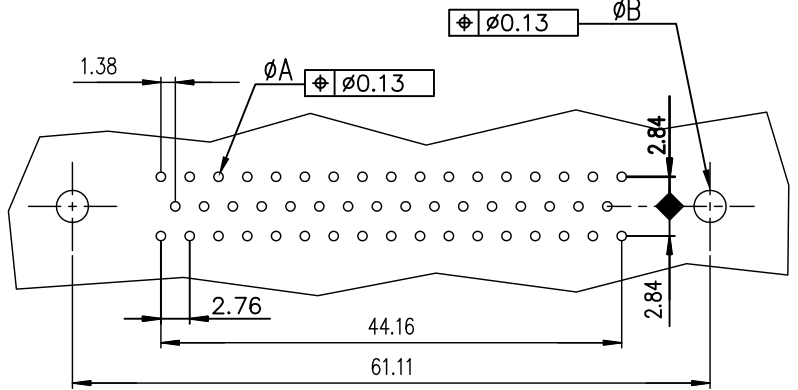
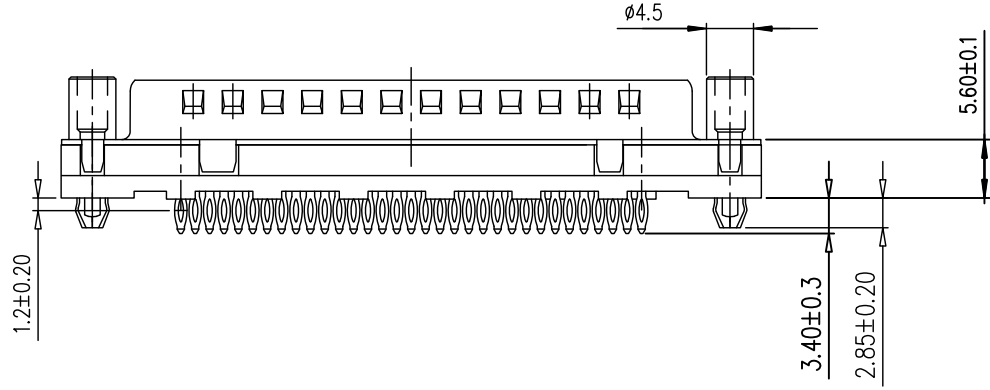


PC board drilling dimensions
(after plating - thickness: 1.60 to 3.20 mm)



GENERAL CHARACTERISTICS AND ROHS INFORMATIONS:
SEE DRAWING C01-8646-0001

ROHS PART NUMBER	
200 matings	D50P90C4GV00LF
500 matings	D50P90C6GV00LF

mat'l. code				surface ISO 1302		tolerance ISO 406 ISO 1101		projection		product family D-SUB	
ltr	ecn no	dr	date	tolerances unless otherwise specified		linear		mm		title	
A	-	MPE	1994-06-24	angles		.0±0.1		mm		MALE CONNECTOR DELTA D 50	
B	-	MPE	1995-05-09	0'±2'		.00±0.1		scale 2:1		STRAIGHT PRESS FIT LOW PROFILE	
C	-	MPE	1995-02-10	appd		.000±0.1		scale 2:1		dwg no	
D	-	MPE	1996-07-25	dr		M PESSON		2007-09-06		sheet 1 of 1 size	
E	LS07-0232	MPE	2007-09-06	engr		MITHUN PAUL		2016-06-06		A3	
F	ELX-I-24020	AAB	2016-06-06	chr		ATHUL A.B		2016-06-06		C01-8646-0257	
				appd		BIJU K PAUL		2016-06-06		type Product Customer Drawing	
sheet index		revision sheet		F 1							