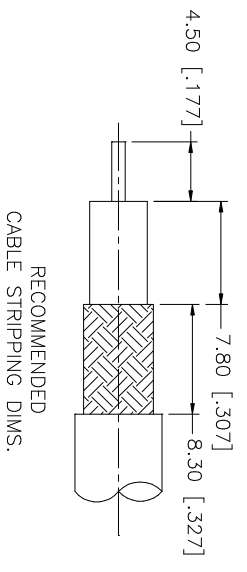
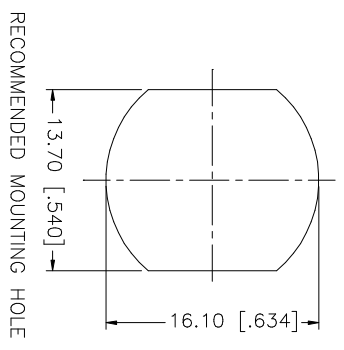
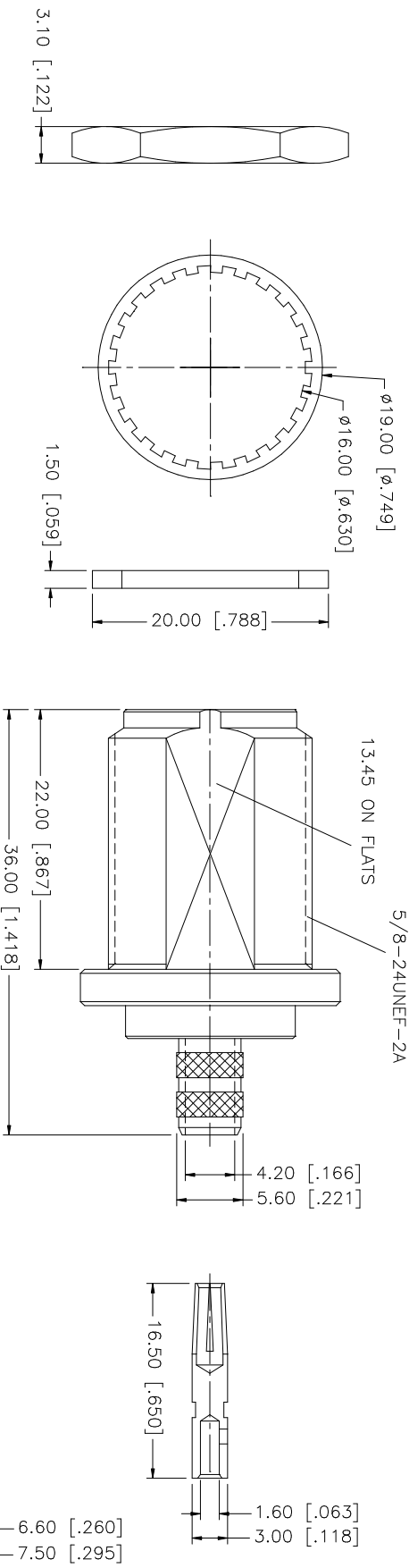


REV.	DATE	DESCRIPTION
A	01/30/04	UPDATE DRAWING FORMAT/ MODIFY STRIPPING DIMS



- NOTE:
1. CRIMPED FERRULE
HEX CRIMP SIZE .255"
 2. CRIMPED CONTACT PIN
HEX CRIMP SIZE .100"

QTY	FINISH	MATERIAL	DESCRIPTION
1	NEXCOTE	COPPER	FERRULE
1	RED	SILICONE	GASKET
1	NEXCOTE	BRASS	HEX NUT
1	NEXCOTE	BRASS	LOCK WASHER
1	GOLD	PHOS. BRONZE	CONTACT PIN
1	NATURAL	TEFLON	INSULATOR
1	NEXCOTE	BRASS	BODY
			DESCRIPTION

UNLESS OTHERWISE SPECIFIED, DIMENSIONS ARE IN INCHES AND FOR CUSTOMER REFERENCE ONLY.	UNLESS OTHERWISE SPECIFIED, DIMENSIONS ARE IN MILLIMETERS.
TOLERANCES FOR MILLIMETERS ARE:	TOLERANCES FOR INCHES ARE:
0.3 - 8mm ± 0.20mm	0.315 - 1.180 = ± 0.015"
8 - 30mm ± 0.40mm	1.180 - 4.724 = ± 0.020"
30 - 120mm ± 0.50mm	
UNLESS OTHERWISE SPECIFIED, DIMENSIONS FOR INCHES ARE:	UNLESS OTHERWISE SPECIFIED, DIMENSIONS FOR MILLIMETERS ARE:
.020 - .315 = ± 0.007"	0.3 - 8mm ± 0.20mm
.315 - 1.180 = ± 0.015"	8 - 30mm ± 0.40mm
1.180 - 4.724 = ± 0.020"	30 - 120mm ± 0.50mm

APPROVALS	DATE
DRAWN G.R.S.	01/30/04
CHECKED	
ISSUED	
SHEET 1 OF 1	

PART DESCRIPTION	PART NO.
N BULKHEAD CRIMP JACK (FOR 8X, LMR 240 CABLE)	172149

CAD FILE	DWG. NO.	REV.	SIZE	SCALE
C:/172/172149.DWG	172149.DWG	A	A	NA

Amphenol Connex