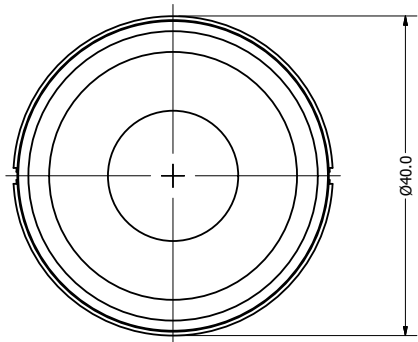
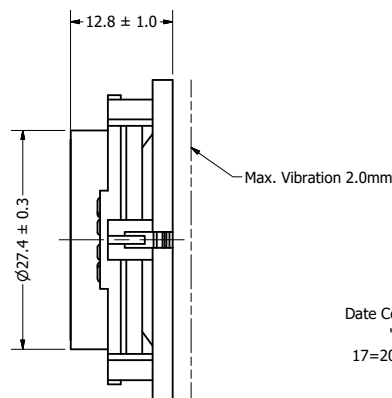


Part Number:	<b>SP400204-2</b>	
	DRAWN	10/31/2017
	CHECKED	12/8/2017
Description:	P.D.	12/8/2017
	APPROVED	12/8/2017
	C.E.	
<small>This document contains data proprietary to DB Unlimited. Any use or reproduction, in any form, without prior written permission of DB Unlimited is prohibited. All terms and conditions can be found at <a href="http://www.dbunlimitedco.com">www.dbunlimitedco.com</a></small>		

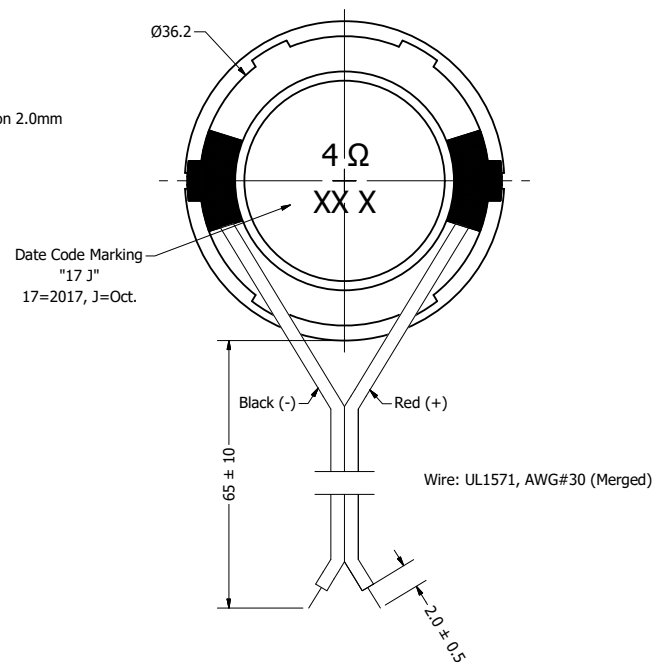
Top View



Side View



Bottom View



Items	Specifications	Conditions
Sound Pressure Level	96	dB (@ 10cm), Avg.
Resonant Frequency	240	Hz
Frequency Range	240 ~ 20,000	Hz
Nominal Power	3	W
Max. Power	5	W
Impedance	4	Ω
Cone Material	Foam + Paper	
Mount Type	Flush Mount	
Storage Temperature	-30 ~ +70	°C
Operating Temperature	-20 ~ +60	°C
Weight	25	g

REVISION HISTORY

REV	DESCRIPTION	DATE	APPROVED
	Released from Engineering	12/8/2017	C.E.

NOTES

- 1) All dimensions are in mm unless otherwise noted
- 2) All tolerances are ± 0.5 mm unless otherwise noted
- 3) All parts meet RoHS
- 4) Subject to change or redrawn without notice