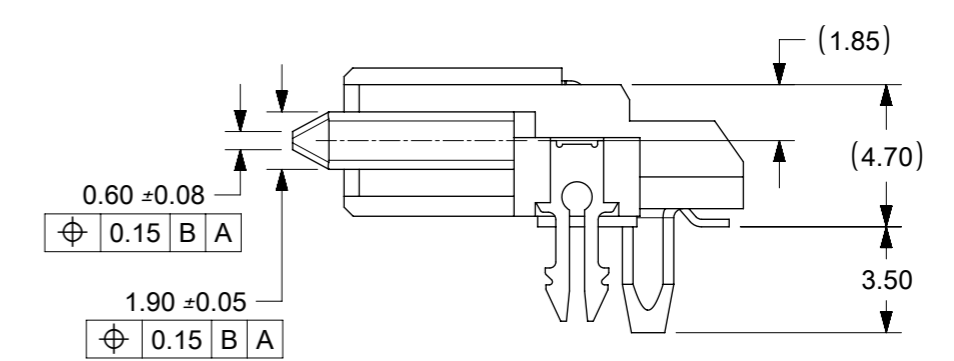


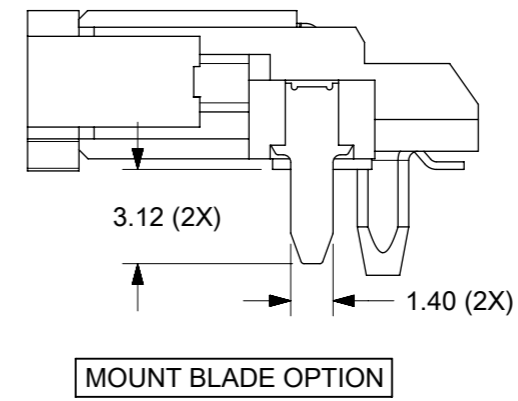
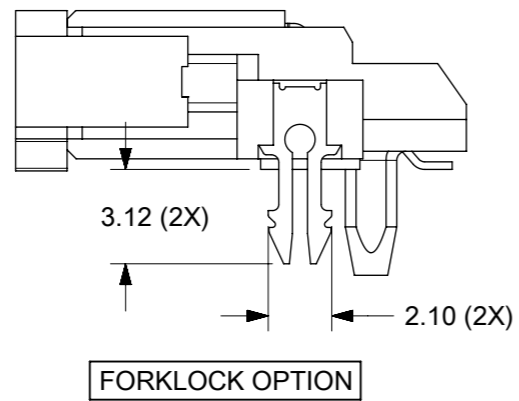
- NOTES:
- MATERIALS:
HOUSING: LIQUID CRYSTALLINE POLYMER (LCP, GLASS-FILLED UL 94V-0, COLOR: BLACK)
TERMINAL/FORKLOCK/BLADE: COPPER ALLOY
 - FINISHES:
TERMINAL CONTACT: 0.76μM MIN. SELECTIVE GOLD OVER
1.27μM MIN. NICKEL UNDERPLATE
TERMINAL SOLDER TAIL: 2.54μM MIN. TIN OVER
1.27μM MIN. NICKEL UNDERPLATE
FORKLOCK/BLADE: 2.54μM MIN. TIN OVER 1.27μM MIN. NICKEL UNDERPLATE
 - PRODUCT SPECIFICATION: PS-78718-001
 - PACKAGING SPECIFICATION: PK-78718-001
 - MOLEX LOGO, SERIES NUMBER, CAVITY ID AND DATE CODE LOCATED APPROXIMATELY AS SHOWN
 - NON FUNCTIONAL CORING MAY VARIES
 - PRODUCT IS COMPLIANT TO RoHS DIRECTIVE WITH THE FOLLOWING BANNED SUBSTANCES - LEAD, MERCURY, CADMIUM, HEXAVALENT CHROMIUM, POLYBROMINATED BIPHENYLS AND POLYBROMINATED DIPHENIL ETHERS
 - REFER TO AS-78718-001 FOR PCB ROUTING RECOMMENDATIONS



SYMBOLS	THIS DRAWING CONTAINS INFORMATION THAT IS PROPRIETARY TO MOLEX ELECTRONIC TECHNOLOGIES, LLC AND SHOULD NOT BE USED WITHOUT WRITTEN PERMISSION		CURRENT REV DESC: MIGRATED TO NX		molex		
	DIMENSION UNITS	SCALE					
▽ = 0	mm	NTS			SAS		
▽ = 0	GENERAL TOLERANCES (UNLESS SPECIFIED)				RECEPTACLE, RIGHT ANGLE SMT, 2.85MM HEIGHT		
▽ = 0	ANGULAR TOL ± 3.0°				PRODUCT CUSTOMER DRAWING		
▽ = 0	4 PLACES	±	EC NO: 172744	2017/09/01	DOCUMENT NUMBER		
▽ = 0	3 PLACES	±	DRWN: KUCHILA	2018/03/16	DOC TYPE DOC PART REVISION		
▽ = 0	2 PLACES	± 0.2	CHK'D: SHONG	2018/03/16	SD-78718-001 PSD 001 A		
▽ = 0	1 PLACE	±	APPR: SHONG	2018/03/16	INITIAL REVISION:		
▽ = 0	0 PLACES	±	DRWN: GMENARLY	2012/09/07	MATERIAL NUMBER		
▽ = 0	DRAFT WHERE APPLICABLE MUST REMAIN WITHIN DIMENSIONS		APPR: GMENARLY	2013/01/09	CUSTOMER		
▽ = 0	THIRD ANGLE PROJECTION		DRAWING	SERIES	SHEET NUMBER		
▽ = 0	A3-SIZE		78718	GENERAL MARKET		1 OF 4	

9 8 7 6 5 4 3 2 1

PART NO	HOLD DOWN	CAP
78718-0001	FORKLOCK	YES
78718-0002	MOUNT BLADE	YES



SYMBOLS	THIS DRAWING CONTAINS INFORMATION THAT IS PROPRIETARY TO MOLEX ELECTRONIC TECHNOLOGIES, LLC AND SHOULD NOT BE USED WITHOUT WRITTEN PERMISSION		CURRENT REV DESC: MIGRATED TO NX			molex		
	DIMENSION UNITS	SCALE						
▽ = 0	mm	NTS	EC NO: 172744			RECEPTACLE, RIGHT ANGLE SMT, 2.85MM HEIGHT		
▽ = 0	GENERAL TOLERANCES (UNLESS SPECIFIED)		DRWN: KUCHILA 2017/09/01			PRODUCT CUSTOMER DRAWING		
▽ = 0	ANGULAR TOL ± 3.0°		CHK'D: SHONG 2018/03/16					
▽ = 0	4 PLACES ±		APPR: SHONG 2018/03/16			DOCUMENT NUMBER		
▽ = 0	3 PLACES ±		INITIAL REVISION:					
▽ = 0	2 PLACES ± 0.2		DRWN: GMENARLY 2012/09/07			DOC TYPE		
▽ = 0	1 PLACE ±		APPR: GMENARLY 2013/01/09					
▽ = 0	0 PLACES ±		DRAFT WHERE APPLICABLE MUST REMAIN WITHIN DIMENSIONS			REVISION		
▽ = 0	THIRD ANGLE PROJECTION		DRAWING					
▽ = 0	DRAWING		SERIES			CUSTOMER		
A3-SIZE		78718			GENERAL MARKET			
3 OF 4								

9 8 7 6 5 4 3 2 1

