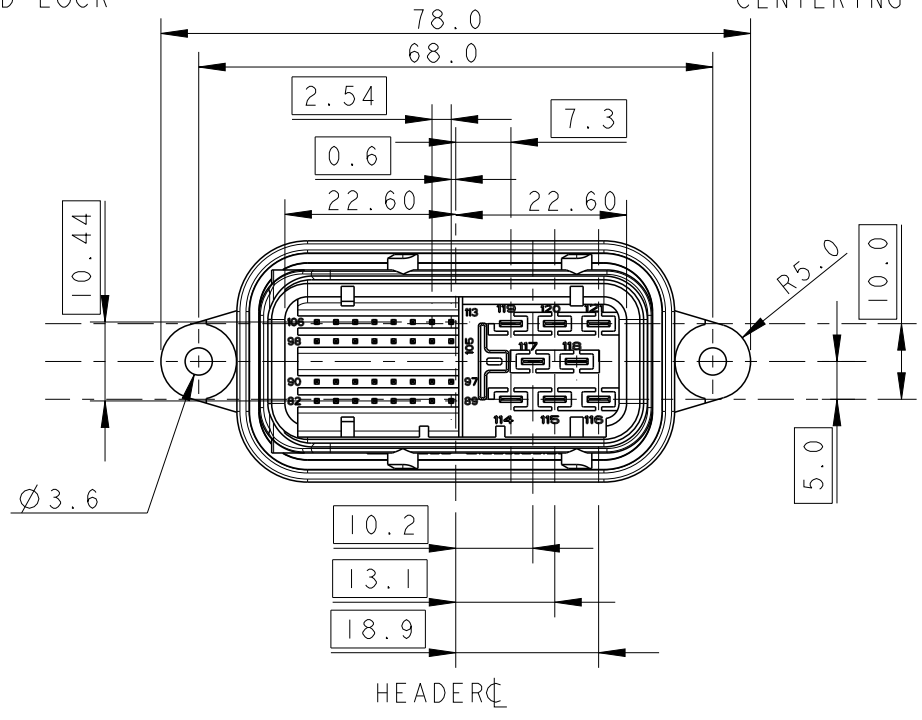
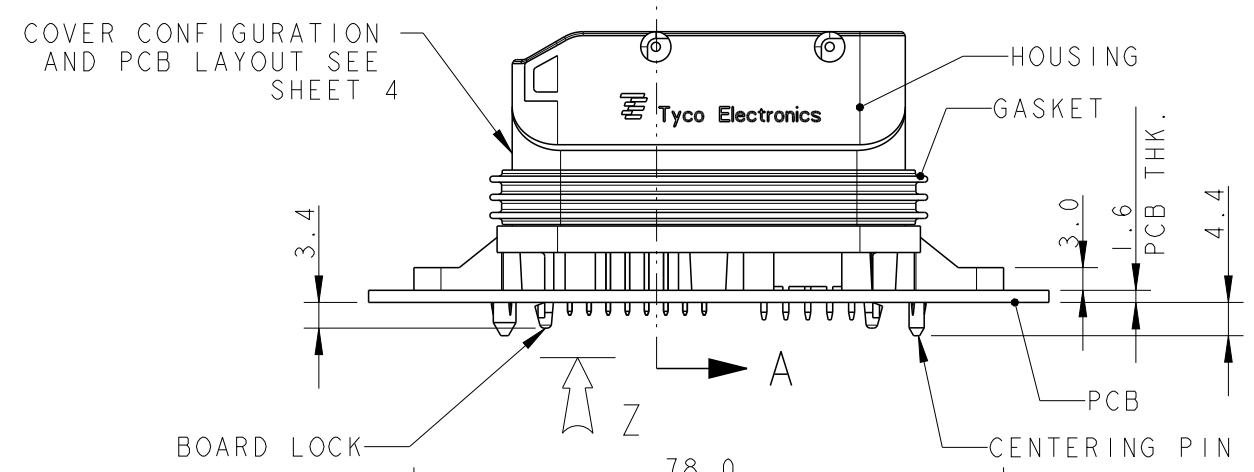
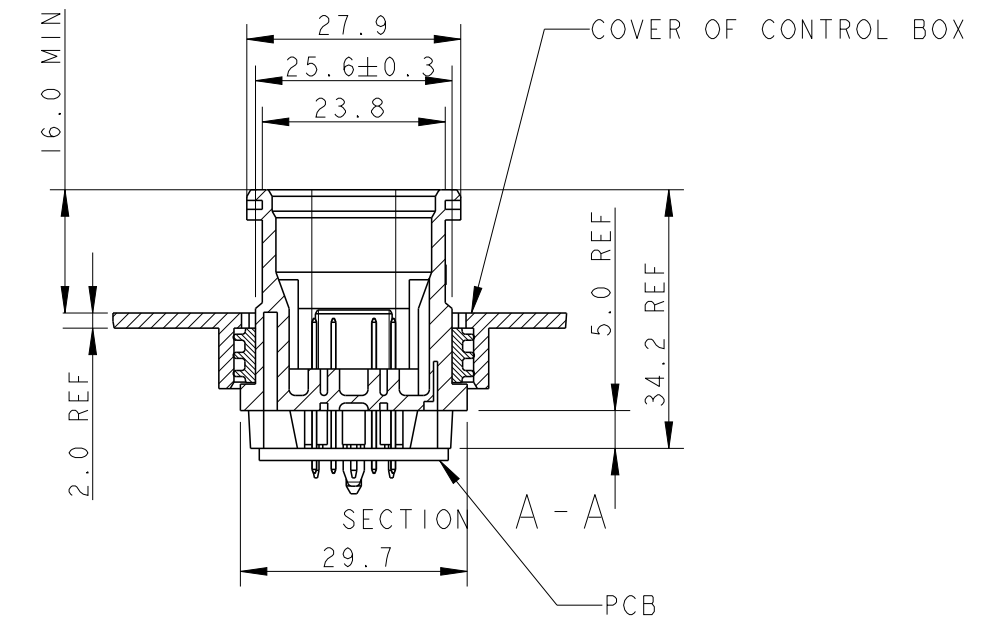
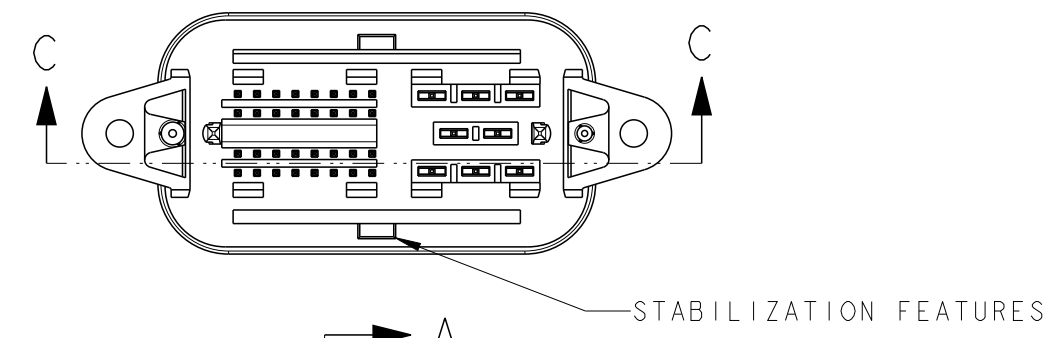
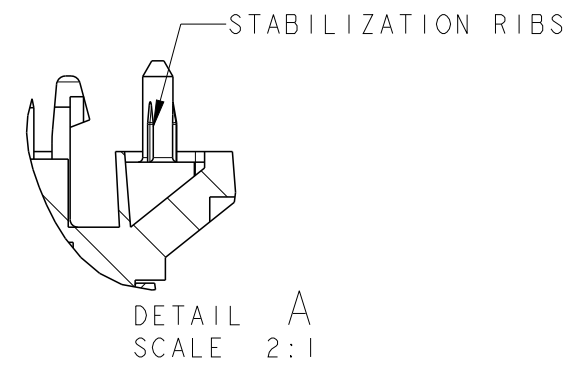
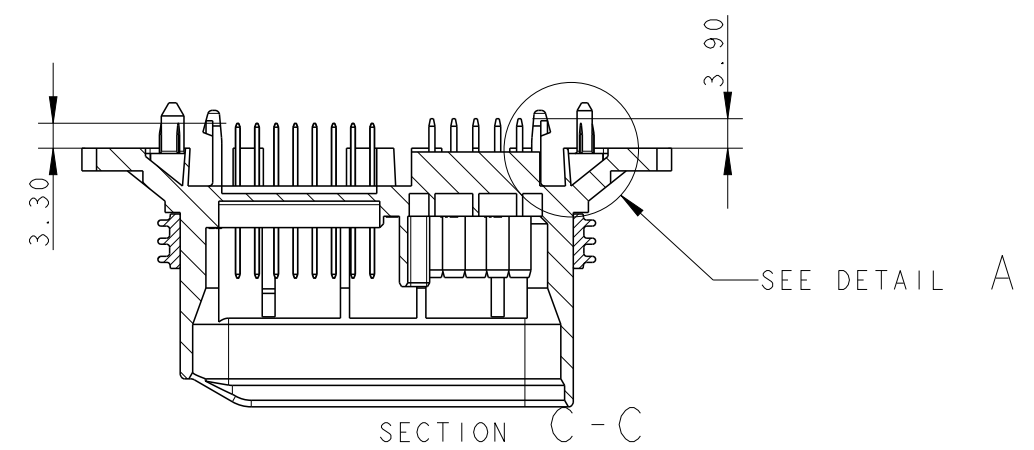


THIS DRAWING IS UNPUBLISHED. RELEASED FOR PUBLICATION 20
 © COPYRIGHT 20 BY - ALL RIGHTS RESERVED.

LOC	DIST	REVISIONS			
P	LTR	DESCRIPTION	DATE	DWN	APVD
1	-	E	UPDATED	22JAN2013	KR JC



P/N 293266-2 AS SHOWN
 ⚠ HOUSING: PA 66 WITH 25% GLASS FIBER
 FLAMMABILITY ACCORDING UL 94;V0
 CONTACTS: TIN PLATED COPPER ALLOY

- 2) PART DESIGNED TO BE MATED WITH COUNTERPART PART NUMBER X-368383-X & X-1473252-X
- 3) MATED WITH PROPERLY SEALED COUNTERPART IT'S POSSIBLE TO GUARANTEE AN IP DEGREE OF PROTECTION 4.7

THE PRESENTED PRODUCT / DESIGN WILL BE RELEASED FOR THE MANUFACTURING OF THE NECESSARY PRODUCTION TOOLS HEREBY. FURTHER CHANGES HAS TO BE PAID BY CUSTOMER.
 DATE, SIGN OF THE CUSTOMER

THIS DRAWING IS A CONTROLLED DOCUMENT.		DWN A. Vecchia 11JUL2006	TE Connectivity	
DIMENSIONS: mm		CHK G. Turco 11JUL2006		
TOLERANCES UNLESS OTHERWISE SPECIFIED:		APVD -	NAME 32+8 POS MQS HEADER WITH MOUNTING FLANGES	
0 PLC ±-		PRODUCT SPEC 108-20290	SIZE A300779	CAGE CODE C-293266
1 PLC ±0.2		APPLICATION SPEC -	RESTRICTED TO -	
2 PLC ±0.10		WEIGHT -	SCALE 1:1	
3 PLC ±-		SHEET 1 OF 2		
4 PLC ±-		REV E		
ANGLES ±-		Customer Drawing		
FINISH -				

4

3

2

1

THIS DRAWING IS UNPUBLISHED.

RELEASED FOR PUBLICATION

20

© COPYRIGHT 20

BY -

ALL RIGHTS RESERVED.

LOC

DIST

REVISIONS

P	LTR	DESCRIPTION	DATE	DWN	APVD
-	-	SEE SHEET 1	-	-	-

COVER CONFIGURATION
VIEW FROM Z

57.7

5.0 TYP

2.0 TYP

29.7

31.7

B

7.0

16.0

HEADER \varnothing

PCB LAYOUT
VIEW FROM Z

7.00

54.5

6.50

$\varnothing 3.2^{+0.2}$

$\varnothing 3.2^{+0.2}$

7.30

6.60

$\varnothing 2.20$

0.6

5.36

2.54

$\varnothing 3.20$

2.54

5.00

10.00

$\varnothing 3.6$

8.62

$\varnothing 1.0^{+0.2}$

32 PLC

2.54 PITCH

10.20

13.10

16.00

18.90

8 PLC

HEADER \varnothing

POSITION TOLERANCE OF ALL HOLES $\varnothing 0.2$

8.0

0.9

2.0 REF

30.0°

SECTION B-B

THIS DRAWING IS A CONTROLLED DOCUMENT.

DWN A. Vecchia 11JUL2006

CHK G. Turco 11JUL2006

APVD -

PRODUCT SPEC 108-20290

- 108-5793-3

APPLICATION SPEC -

WEIGHT -

Customer Drawing

TE Connectivity

NAME
32+8 POS MQS HEADER
WITH MOUNTING FLANGES

RESTRICTED TO

SIZE A3 CAGE CODE 00779 DRAWING NO G-293266

SCALE 1:1 SHEET 2 OF 2 REV E

DIMENSIONS:
mmTOLERANCES UNLESS
OTHERWISE SPECIFIED:

0 PLC	±
1 PLC	±0.2
2 PLC	±0.10
3 PLC	±
4 PLC	±
ANGLES	±

FINISH -

MATERIAL -

1470-19 (3/11)