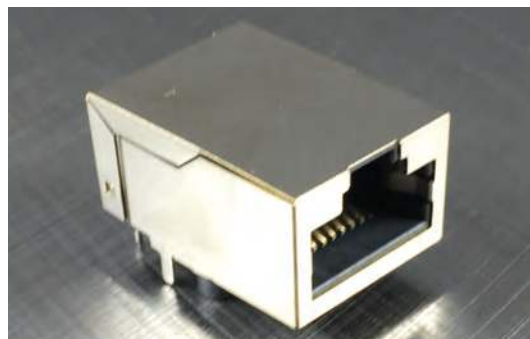




Single Port RJ45 Connector

AR11-4279I

- 1000 Base-T for Ethernet Applications
- Designed to meet IEEE802.3af standards
- Industrial Temp: -40°C to + 85°C



Electrical Specifications @ 25°C

Part Number	OCL(uH Min) @ 100kHz, 0.1V	Turns Ratio chip: cable (± 5%)	Cross Talk (dB Min)	CMR (dB Min)	Hi-Pot (Vrms) 1mA/60Sec.
	With 8mA DC Bias		1-100MHz	1-100MHz	
AR11-4279I	350	1CT:1CT	-30	-30	1500

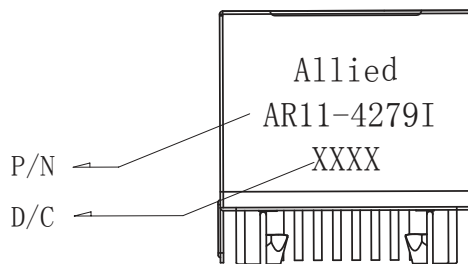
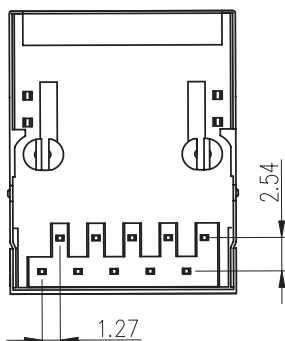
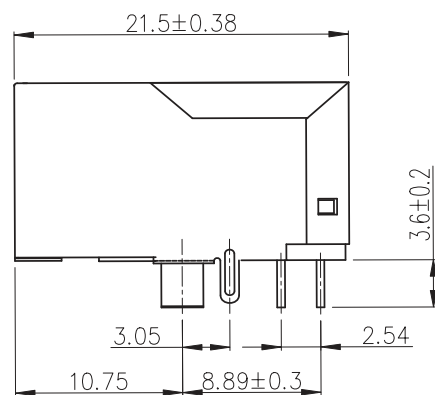
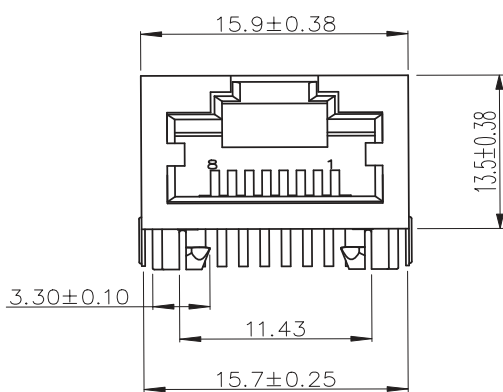
Electrical Specifications @ 25°C

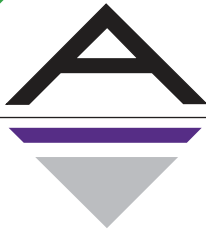
Part Number	Insertion Loss (dB Max)		Return Loss (dB Min) @ Load 100 Ohm			
	1-100MHz	100-125 MHz	1-30MHz	30-60MHz	60-80MHz	80-100MHz
AR11-4279I	-1.0	-1.2	-18	-16	-12	-10

All specifications subject to change without notice.

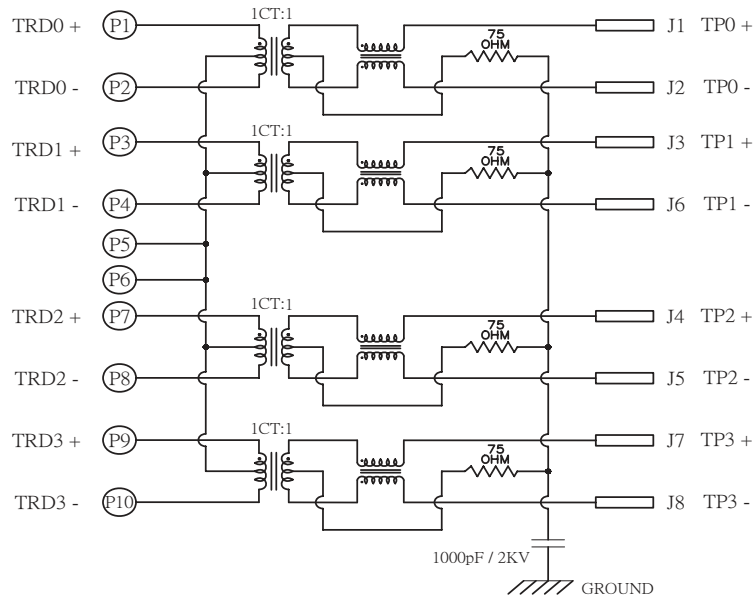
MECHANICAL

UNIT: mm

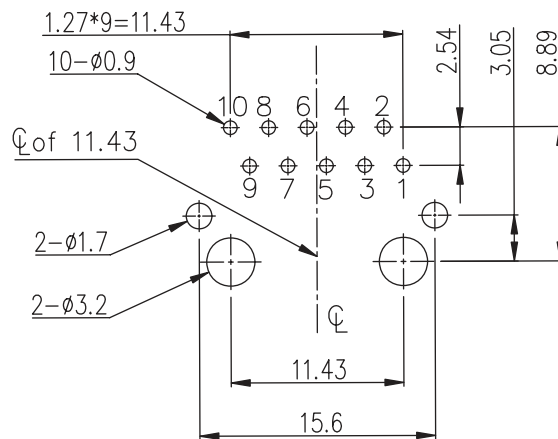




SCHEMATICS



PCB LAYOUT



RECOMMENDED PCB LAYOUT  
TOLERANCE  $\pm 0.05\text{mm}$  (T=1.6mm)

NOTES

1. Shielded – 0.20mm THICKNESS BRASS C2680 H. PLATING NICKEL 20u”–40u”.
2. Housing – Standard Material LCP Filled Polyester UL94V-0 Standed Color Black.
3. Contact Pin – Plastic: Nylon66 UL94V-0, Standard Color Black. Pin: 0.35mm Thickness Phos-Bronze C5210 EH Plating: Nickel40u”~60u” for all and Sn 100%, and Gold Flash Plating .
4. Insert Pin – Plastic: LCP, Glass Filled, UL94V-0, Standard Color Black. Pin: 0.35mm Thickness SUS430. Plating: Nickel40u”~60u” for all and Sn 100%.