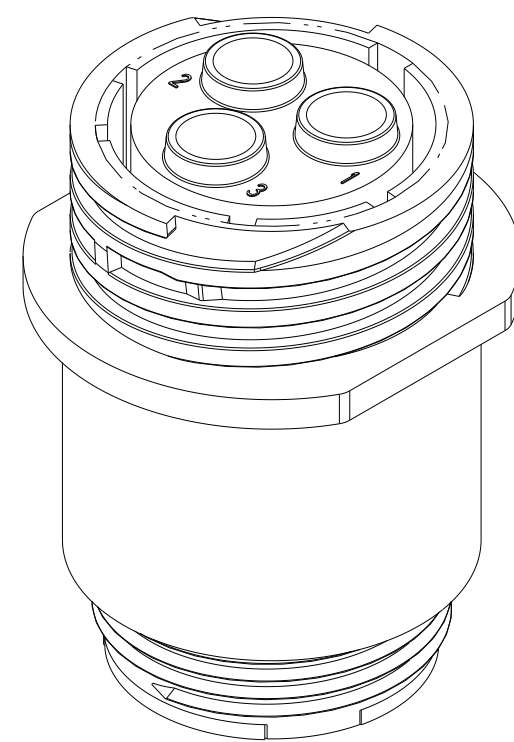
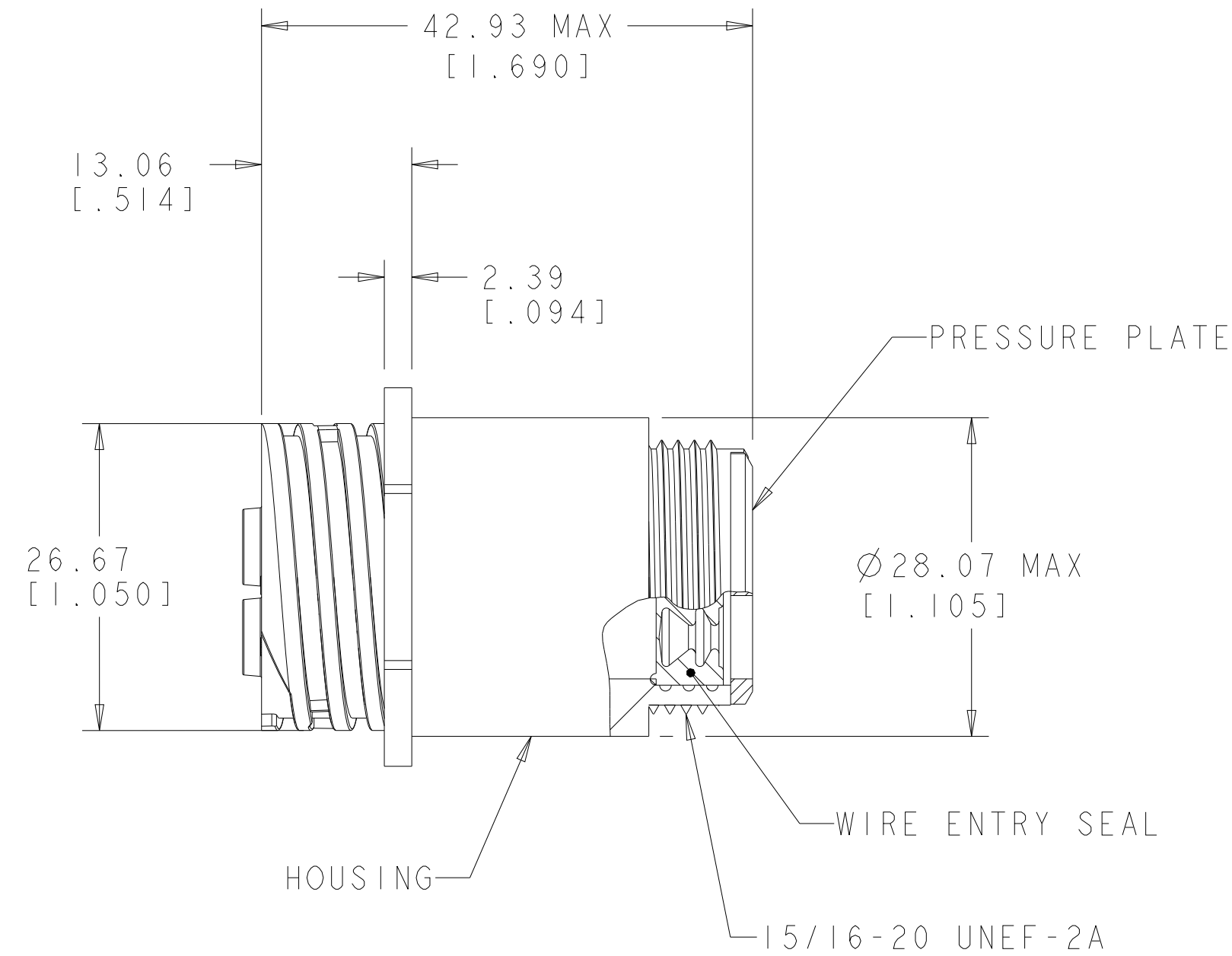
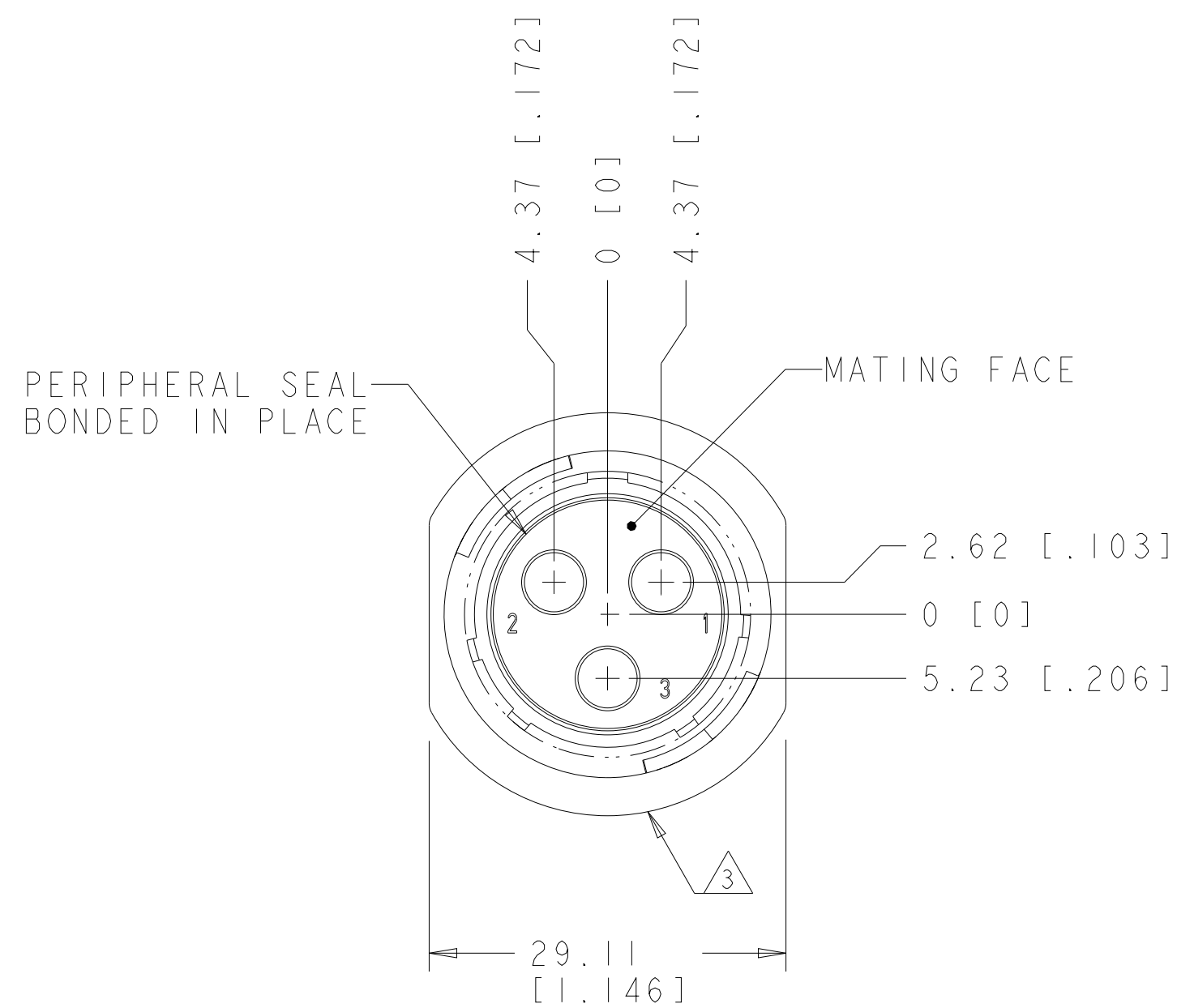


P	LTR	DESCRIPTION	DATE	DWN	APVD
E		REVISED PER ECO-21-006943	13OCT2021	RK	MZ



- ⚠ HOUSING & PRESSURE PLATE: NYLON, BLACK.
WIRE ENTRY SEAL: ELASTOMER, RED-IRON OXIDE.
PERIPHERAL SEAL: ELASTOMER, BLACK.
- 2. WILL ACCEPT (3) POWER BAND SOCKET CONTACTS.
- ⚠ TE LOGO LOCATED ON ANY FLANGE EDGE.

OBsolete	3.81-6.73 [.150-.265]	796112-2
	2.41-5.21 [.095-.205]	796112-1
	INSULATION RANGE	PART NUMBER

THIS DRAWING IS A CONTROLLED DOCUMENT.		DWN S. WELDON 07FEB2000	TE Connectivity															
DIMENSIONS: mm [INCHES]		CHK K. DOWHOWER 07FEB2000																
TOLERANCES UNLESS OTHERWISE SPECIFIED:		APVD K. DOWHOWER 07FEB2000	NAME RECEPTACLE ASSY, SERIES 5, REVERSE SEX, SIZE 17-3, CIRCULAR PLASTIC CONNECTOR															
<table border="1"> <tr><td>0 PLC</td><td>±</td></tr> <tr><td>1 PLC</td><td>±</td></tr> <tr><td>2 PLC</td><td>±0.02</td></tr> <tr><td>3 PLC</td><td>±</td></tr> <tr><td>4 PLC</td><td>±</td></tr> <tr><td>ANGLES</td><td>±</td></tr> <tr><td>FINISH</td><td>-</td></tr> </table>		0 PLC	±	1 PLC	±	2 PLC	±0.02	3 PLC	±	4 PLC	±	ANGLES	±	FINISH	-	PRODUCT SPEC 108-1579	SIZE A2	
0 PLC	±																	
1 PLC	±																	
2 PLC	±0.02																	
3 PLC	±																	
4 PLC	±																	
ANGLES	±																	
FINISH	-																	
MATERIAL		APPLICATION SPEC -	CAGE CODE 00779	DRAWING NO G-796112														
		WEIGHT -	SCALE 2:1	SHEET 1 OF 1														
		CUSTOMER DRAWING	REV E															