

RC-17P1N8A6100 - Device connector front mounting



1601483

<https://www.phoenixcontact.com/us/products/1601483>

Please be informed that the data shown in this PDF document is generated from our online catalog. Please find the complete data in the user documentation. Our general terms of use for downloads are valid.



M23, Device connector front mounting, series: RC, straight, shielded: yes, Screw locking mechanism, No. of pos.: 17, Direction of rotation: Standard, contact connection type: Pin, Crimp connection, Axial O-ring, Central fixing, Panel thickness min.: 0.8 mm, Panel thickness max.: 6.5 mm, coding: N, Alternative product in accordance with RoHS II without Exemption 6c (Pb <0.1%) item no.: 1241350

Commercial data

| | |
|--------------------------------------|--------------------------------|
| Item number | 1601483 |
| Packing unit | 1 pc |
| Minimum order quantity | 1 pc |
| Note | Made to order (non-returnable) |
| Sales key | AB31 |
| Product key | ABRAFL |
| GTIN | 4046356234962 |
| Weight per piece (including packing) | 33.15 g |
| Weight per piece (excluding packing) | 30.13 g |
| Customs tariff number | 85366990 |
| Country of origin | DE |

1601483

<https://www.phoenixcontact.com/us/products/1601483>

Technical data

Notes

| | |
|---------|--|
| General | Order crimp contacts Ø 1 mm separately |
|---------|--|

Product properties

| | |
|--------------|-----------------------------------|
| Product type | Circular connectors (device side) |
|--------------|-----------------------------------|

Connector

Insulating body

| | |
|--|---|
| Note | Order information: Order crimp contacts Ø 1 mm separately |
| Coding | N |
| Connection method | Crimp connection |
| Contact switching type | Pin |
| Application | Signal |
| Number of positions | 17 |
| Direction of rotation | Standard |
| Connection profile | 17 |
| Contact diameter Power contacts | 1 mm |
| Rated current Power contacts | 8 A |
| Rated voltage | 48 V AC |
| | 74 V DC |
| Rated surge voltage | 1.5 kV |
| Overvoltage category | III |
| Degree of pollution | 3 |

Housing

| | |
|-----------------------------------|--|
| Order information: | Order contact inserts separately |
| Housing material | Turned parts: copper zinc alloy (CuZn), die-cast parts: zinc (GD-Zn) |
| Type of locking | Screw locking mechanism |
| Pg screw connection | none |
| Degree of protection (plugged in) | IP67 |
| Thread type | M23 |

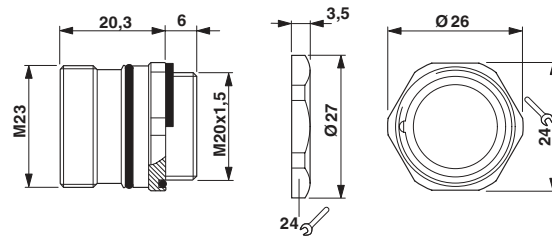
RC-17P1N8A6100 - Device connector front mounting

1601483

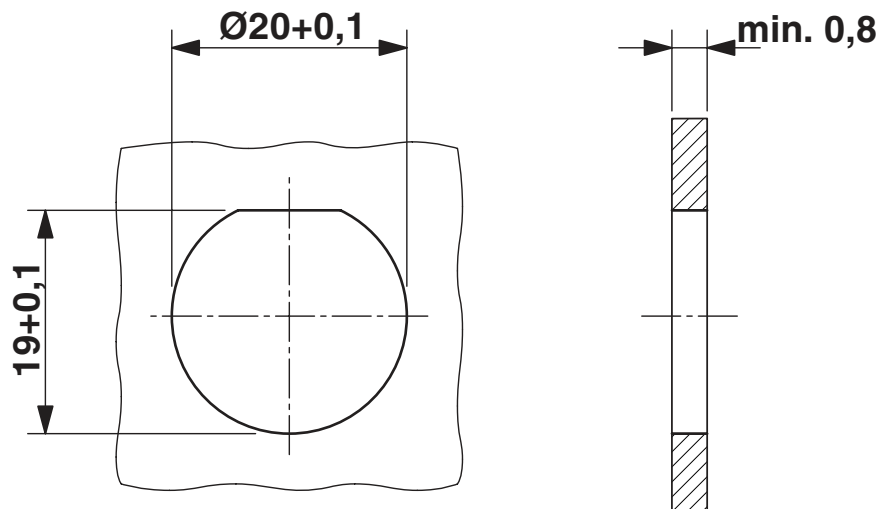
<https://www.phoenixcontact.com/us/products/1601483>

Drawings

Dimensional drawing



Dimensional drawing



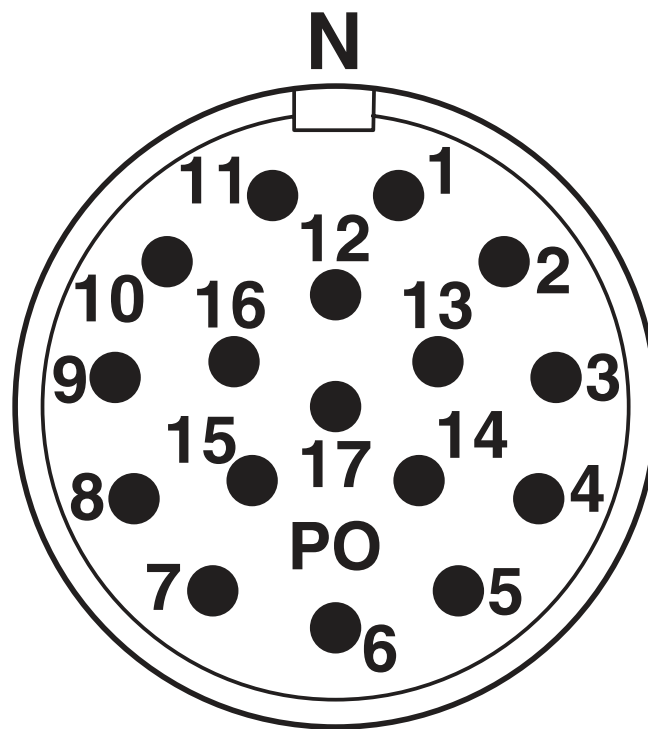
RC-17P1N8A6100 - Device connector front mounting



1601483

<https://www.phoenixcontact.com/us/products/1601483>

Schematic diagram



RC-17P1N8A6100 - Device connector front mounting



1601483

<https://www.phoenixcontact.com/us/products/1601483>

Classifications

ECLASS

| | |
|-------------|----------|
| ECLASS-11.0 | 27440102 |
| ECLASS-12.0 | 27440116 |
| ECLASS-13.0 | 27440116 |

ETIM

| | |
|----------|----------|
| ETIM 8.0 | EC002635 |
|----------|----------|

UNSPSC

| | |
|-------------|----------|
| UNSPSC 21.0 | 39121400 |
|-------------|----------|

RC-17P1N8A6100 - Device connector front mounting



1601483

<https://www.phoenixcontact.com/us/products/1601483>

Environmental product compliance

| | |
|------------|--|
| REACH SVHC | Lead 7439-92-1 |
| China RoHS | Environmentally Friendly Use Period = 50 years |
| | For information on hazardous substances, refer to the manufacturer's declaration available under "Downloads" |

RC-17P1N8A6100 - Device connector front mounting



1601483

<https://www.phoenixcontact.com/us/products/1601483>

Accessories

RC-11P2000 - Crimp contact

1596770

<https://www.phoenixcontact.com/us/products/1596770>



Crimp contact, Pin, turned, Single contact, contact diameter: 1 mm, crimp range: 0.08 mm² ... 0.22 mm², Alternative product in accordance with RoHS II without Exemption 6c (Pb <0.1%) item no.: 1240882

RC-12P2000 - Crimp contact

1597862

<https://www.phoenixcontact.com/us/products/1597862>



Crimp contact, Pin, turned, Single contact, contact diameter: 1 mm, crimp range: 0.14 mm² ... 0.56 mm², Alternative product in accordance with RoHS II without Exemption 6c (Pb <0.1%) item no.: 1240882

RC-17P1N8A6100 - Device connector front mounting



1601483

<https://www.phoenixcontact.com/us/products/1601483>

RC-1KP2000 - Crimp contact

1602996

<https://www.phoenixcontact.com/us/products/1602996>



Crimp contact, Pin, turned, Single contact, contact diameter: 1 mm, crimp range: 0.5 mm² ... 1 mm², Alternative product in accordance with RoHS II without Exemption 6c (Pb <0.1%) item no.: 1241571

RC-22P2000 - Crimp contact

1603321

<https://www.phoenixcontact.com/us/products/1603321>



Crimp contact, Pin, rolled, Single contact, contact diameter: 1 mm, crimp range: 0.22 mm² ... 0.56 mm², Single contact, Item is lead-free in accordance with RoHS II without Exemption 6c (Pb <0.1%)

RC-17P1N8A6100 - Device connector front mounting



1601483

<https://www.phoenixcontact.com/us/products/1601483>

RC-22P2300 - Crimp contact

1603324

<https://www.phoenixcontact.com/us/products/1603324>



Crimp contact, Pin, rolled, Taped articles, number of pieces per reel: 500, contact diameter: 1 mm, crimp range: 0.22 mm² ... 0.56 mm², Item is lead-free in accordance with RoHS II without Exemption 6c (Pb <0.1%)

RC-22P2400 - Crimp contact

1603325

<https://www.phoenixcontact.com/us/products/1603325>



Crimp contact, Pin, rolled, Taped articles, number of pieces per reel: 10000, contact diameter: 1 mm, crimp range: 0.22 mm² ... 0.56 mm², Item is lead-free in accordance with RoHS II without Exemption 6c (Pb <0.1%)

RC-17P1N8A6100 - Device connector front mounting



1601483

<https://www.phoenixcontact.com/us/products/1601483>

RC-21P2000 - Crimp contact

1603310

<https://www.phoenixcontact.com/us/products/1603310>



Crimp contact, Pin, rolled, Single contact, contact diameter: 1 mm, crimp range: 0.08 mm² ... 0.22 mm², Single contact

RC-21P2300 - Crimp contact

1603313

<https://www.phoenixcontact.com/us/products/1603313>



Crimp contact, Pin, rolled, Taped articles, number of pieces per reel: 500, contact diameter: 1 mm, crimp range: 0.08 mm² ... 0.22 mm²

RC-17P1N8A6100 - Device connector front mounting



1601483

<https://www.phoenixcontact.com/us/products/1601483>

RC-21P2400 - Crimp contact

1611637

<https://www.phoenixcontact.com/us/products/1611637>



Crimp contact, Pin, rolled, Taped articles, number of pieces per reel: 10000, contact diameter: 1 mm, crimp range: 0.08 mm² ... 0.22 mm²

Phoenix Contact 2023 © - all rights reserved

<https://www.phoenixcontact.com>

Phoenix Contact USA
586 Fulling Mill Road
Middletown, PA 17057, United States
(+717) 944-1300
info@phoenixcon.com