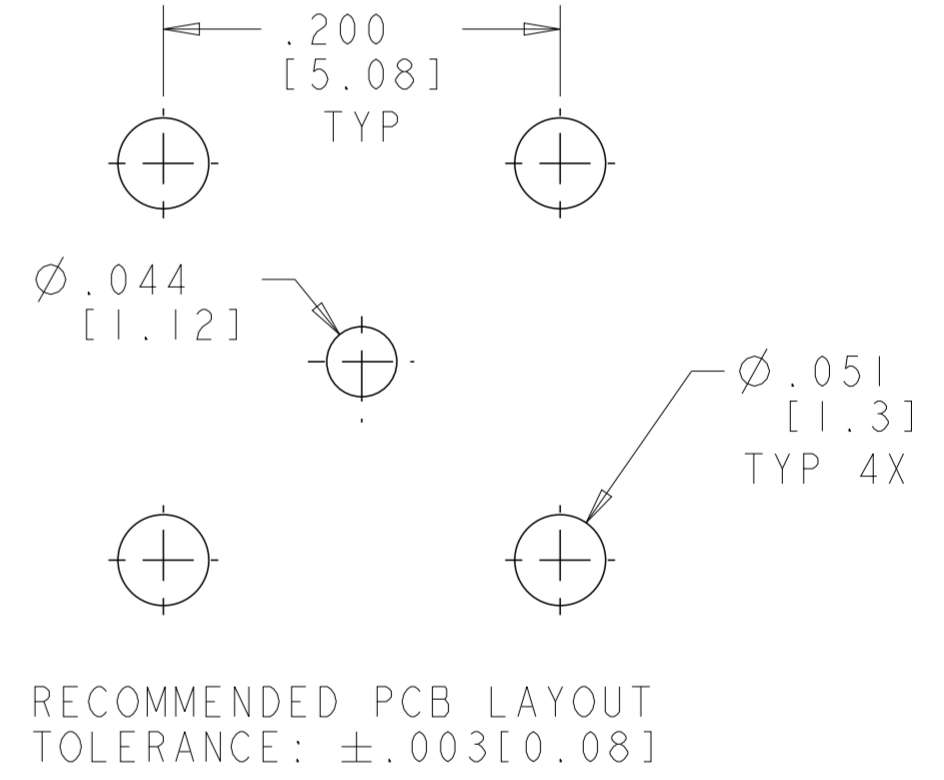
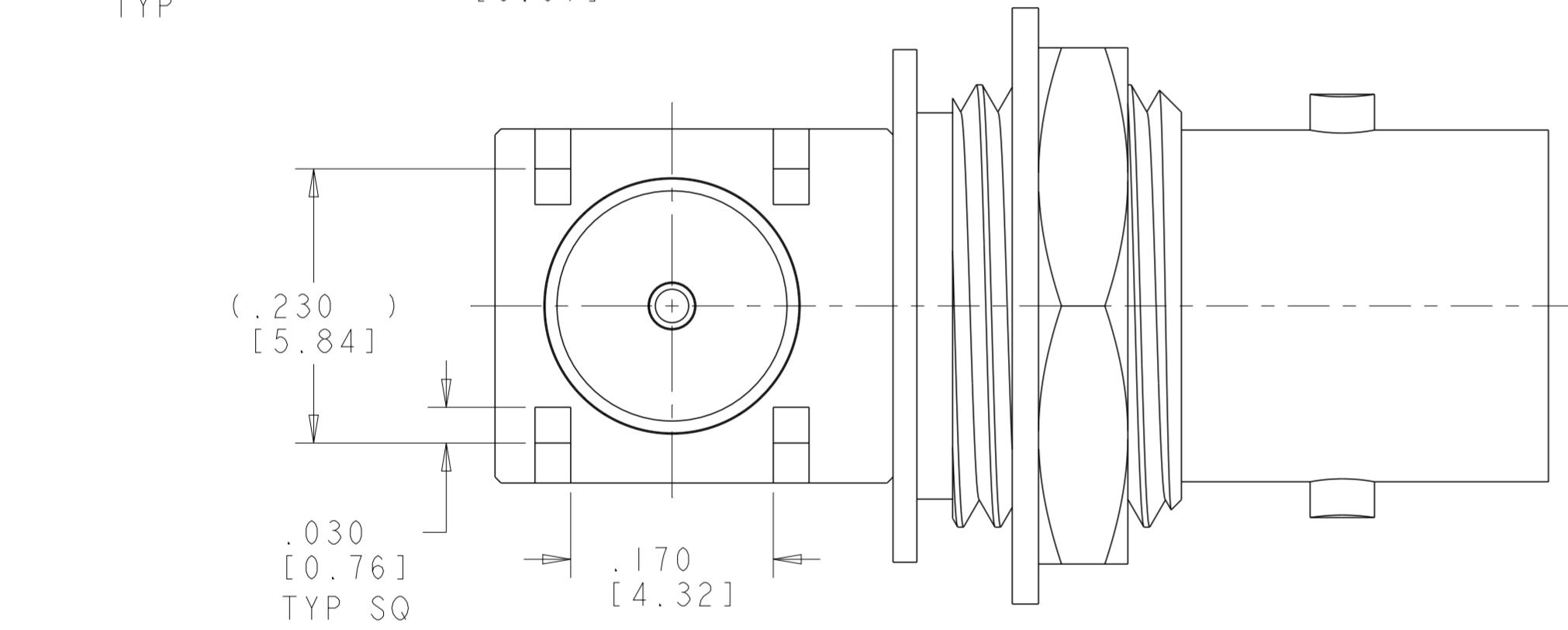
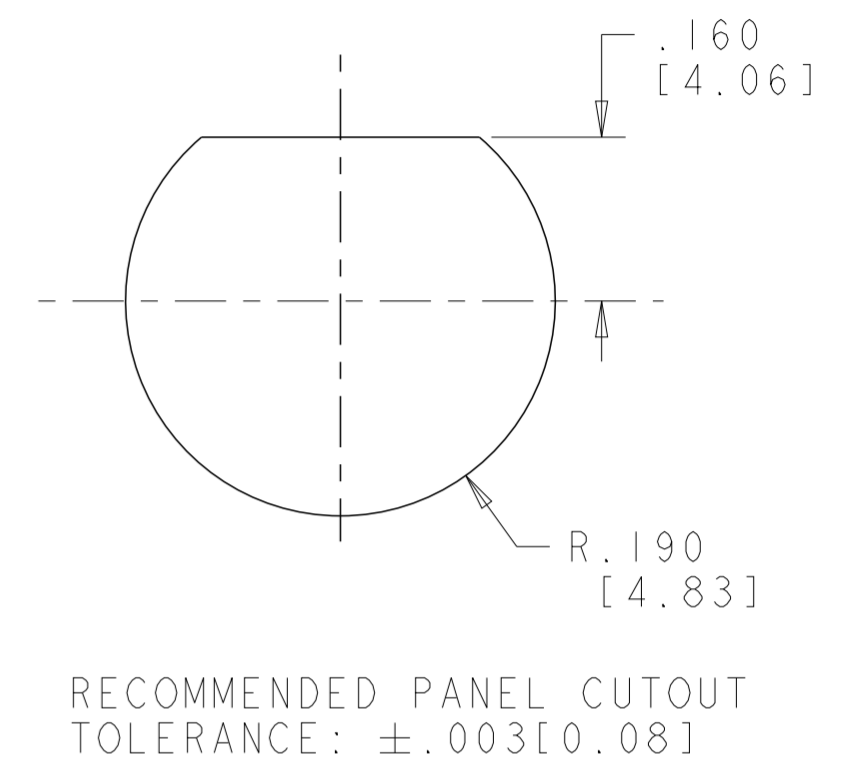
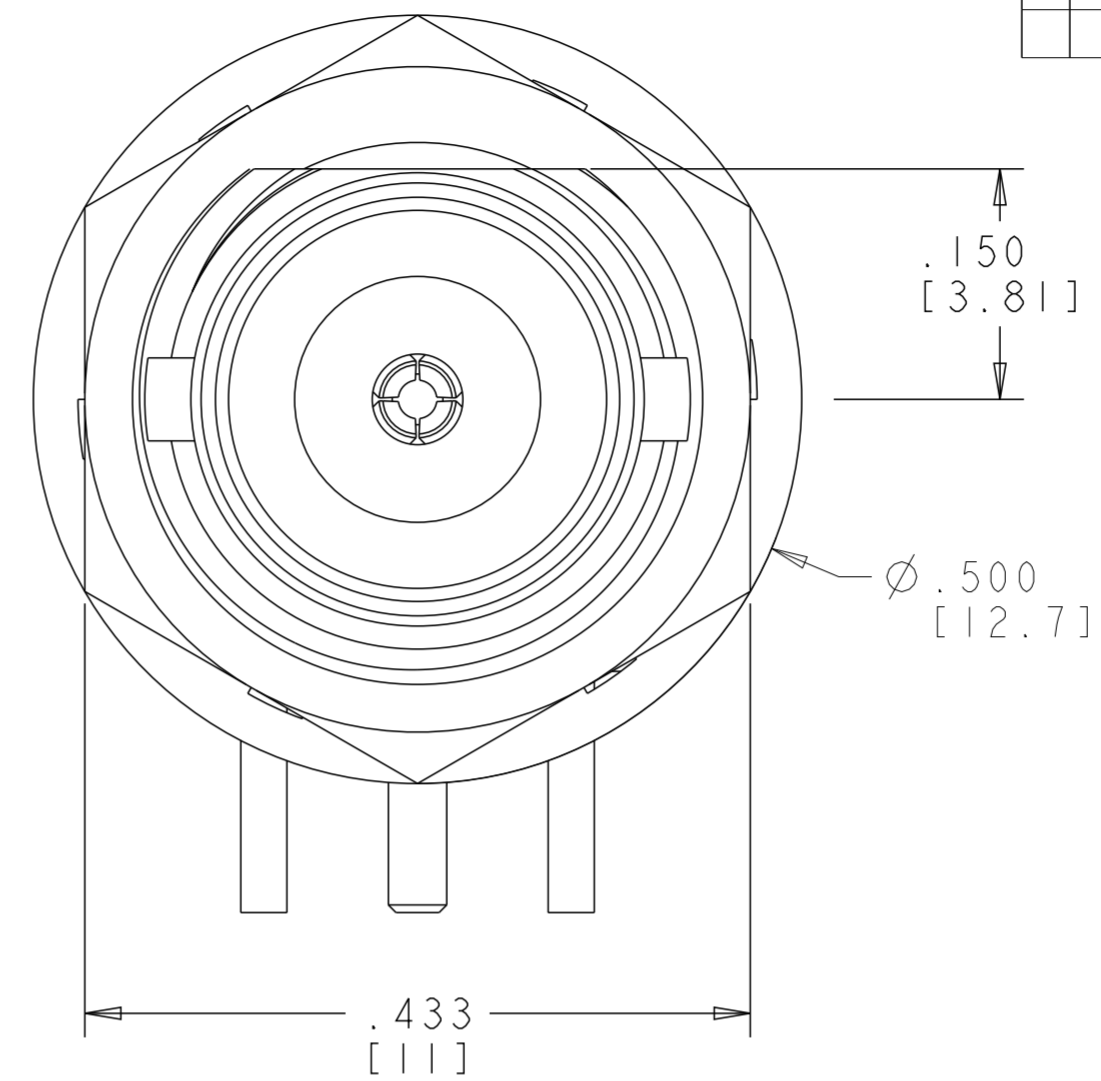
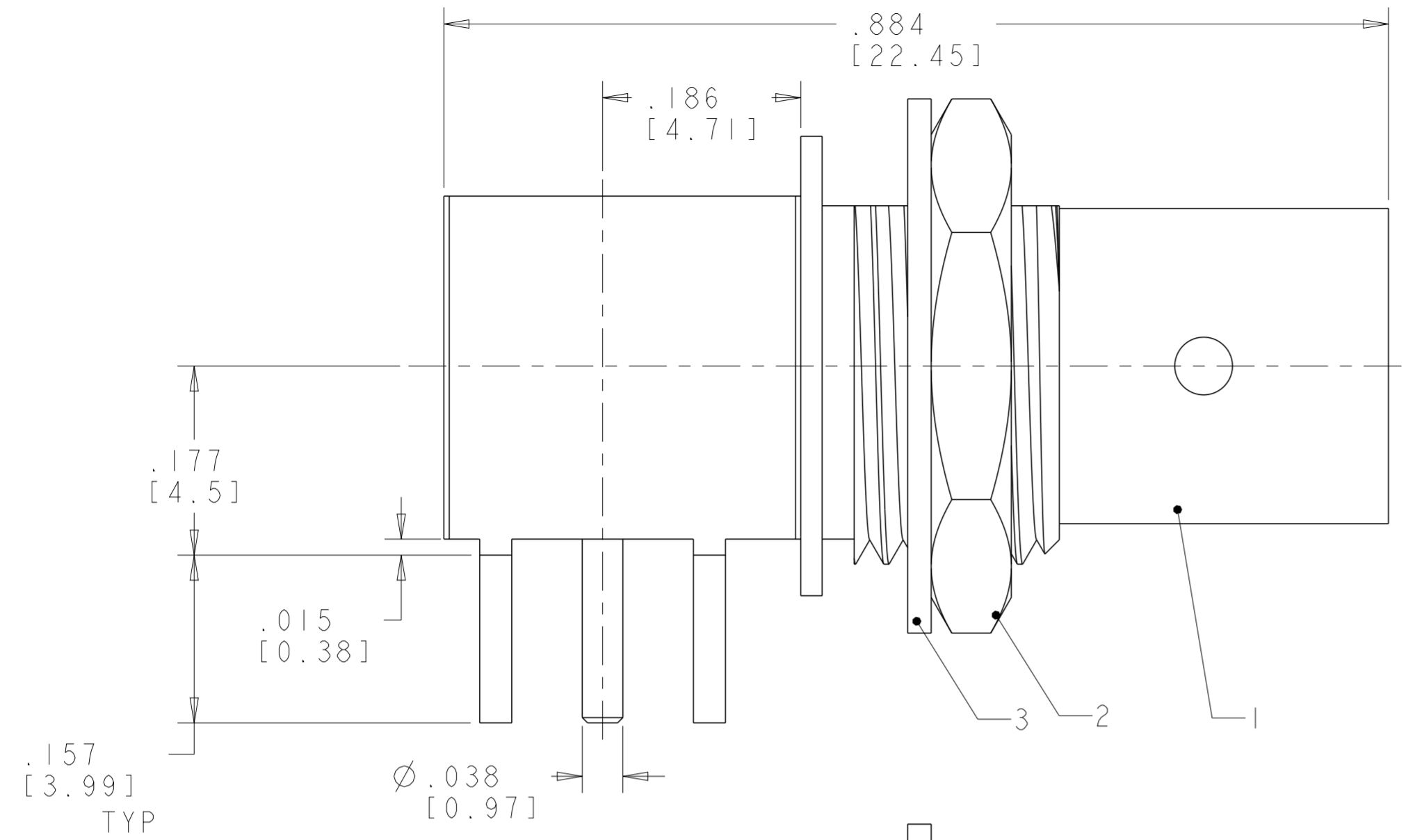


THIS DRAWING IS UNPUBLISHED. RELEASED FOR PUBLICATION  
 © COPYRIGHT copyright.d8Ye- ALL RIGHTS RESERVED.

REVISIONS					
P	LTR	DESCRIPTION	DATE	DWN	APVD
D1		REVISED PER ECO-11-005027	16MAY2011	RK	HMR
D2		ECR-18-016473	18OCT2018	RZ	RS
D3		ECR-19-003895	12MAR2019	RZ	RS



NOTE  
1. NUT AND WASHER ARE PACKAGED SEPERATELY

ELECTRICAL	MECHANICAL	ENVIRONMENTAL
Impedance (Ohm) <u>50</u> Frequency Range (GHz) <u>DC to 3GHz</u> Voltage Rating (Peak) <u>@ Sea Level 335 V RMS</u> Insulation Resistance (MIN.) <u>5000 M ohms</u> Contact Resistance (mohms MAX) Center Contact <u>3.0</u> Outer Contact <u>2.0</u> Dielectric Withstand Voltage: <u>500 V RMS Max</u> Insertion Loss : <u>N/A</u> dB VSWR: <u>N/A</u>	Interface Dimension <u>N/A</u> Force to Engage (lbs) <u>7 MAX</u> Force to Disengage (lbs) <u>1 MAX</u> Center Contact Captivation Axial (Lbs) <u>2.0</u> Mating cycles <u>500</u> cycles	TEMPERATURE RANGE <u>-55°C TO + 125°C</u>  ROHS <u>COMPLIANT</u>

1-329492-1	2-330249-2	1274629-1	1274584-1
3 WASHER	2 NUT	1 SUB-ASSM	PART NUMBER
THIS DRAWING IS A CONTROLLED DOCUMENT.		DWN <u>K. WEIDNER</u> 30 JUL 2003 CHK <u>G. MICHAEL</u> 08 JAN 2004 APVD <u>K. WEIDNER</u> 08 JAN 2004 PRODUCT SPEC <u>108-2159</u> APPLICATION SPEC <u>-</u> MATERIAL <u>-</u> FINISH <u>-</u>	
DIMENSIONS: INCHES [mm] TOLERANCES UNLESS OTHERWISE SPECIFIED: 0 PLC ±- 1 PLC ±- 2 PLC ±- 3 PLC ±.005 [0.13] 4 PLC ±- ANGLES ±2 FINISH -		<b>STE</b> TE Connectivity NAME <u>JACK, KIT, R/A, BULKHEAD, PCB, MINI BNC W/HARDWARE</u> SIZE <u>A2</u> CAGE CODE <u>00779</u> DRAWING NO <u>C-1274584</u> RESTRICTED TO CUSTOMER DRAWING SCALE <u>8:1</u> SHEET <u>1</u> OF <u>1</u> REV <u>D3</u>	