

4

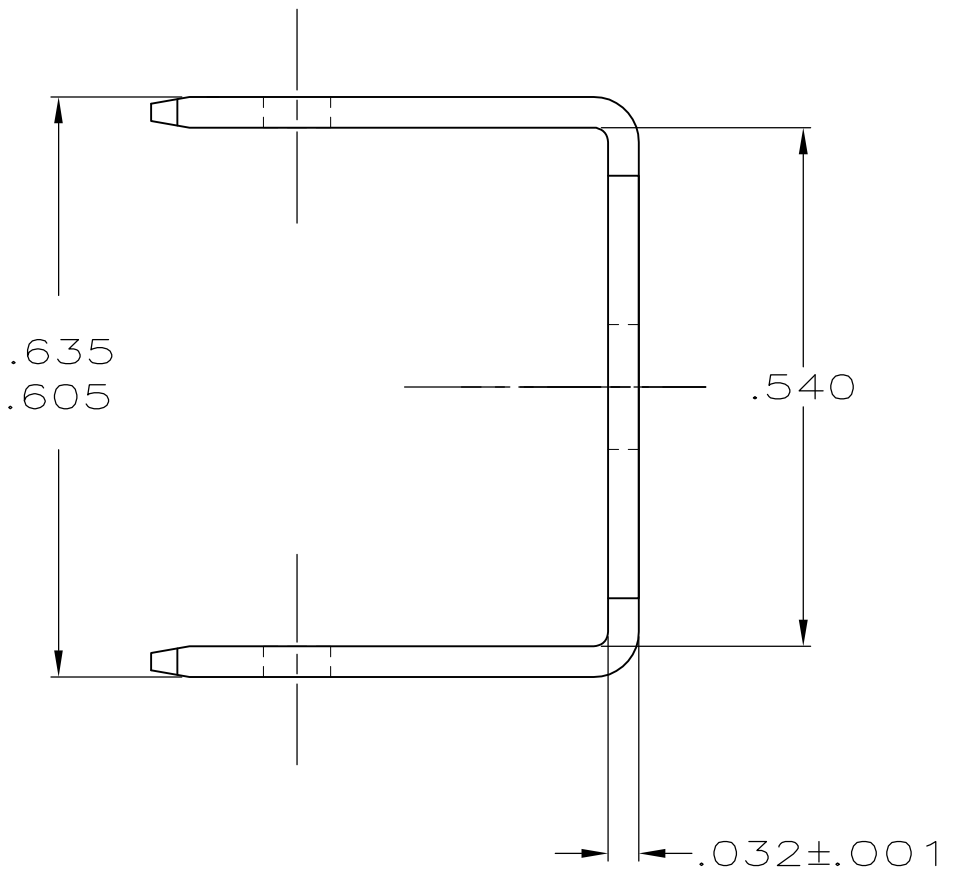
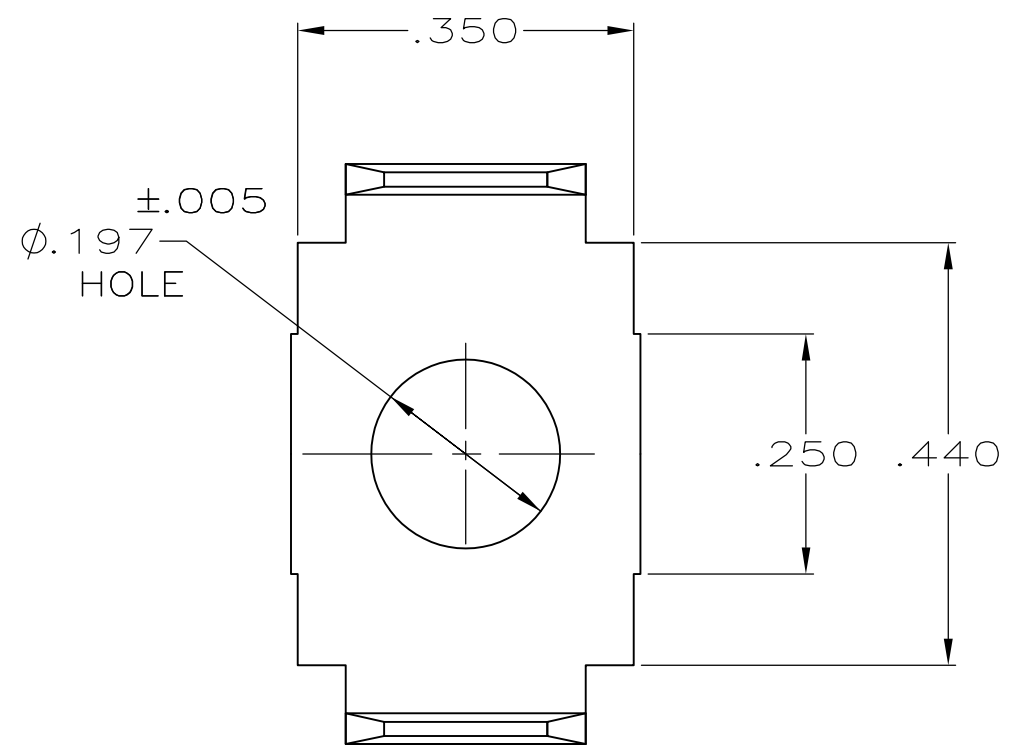
3

2

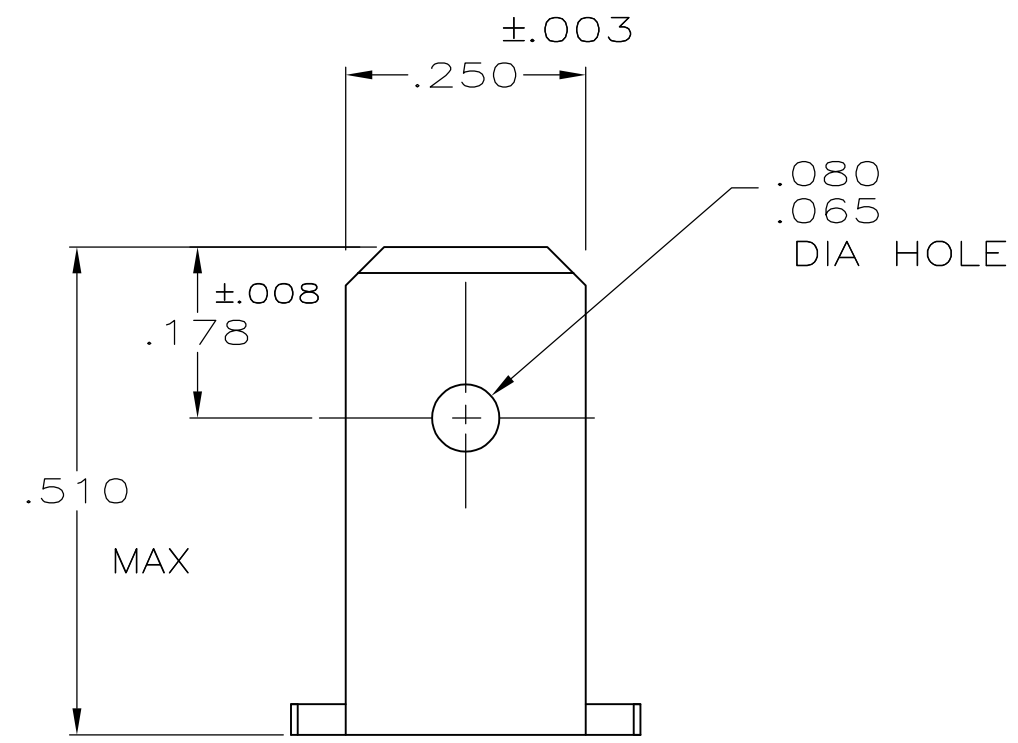
1

THIS DRAWING IS UNPUBLISHED. RELEASED FOR PUBLICATION
 © COPYRIGHT - By - ALL RIGHTS RESERVED.


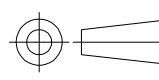
LOC	DIST	REVISIONS					
AF	50	P	LTR	DESCRIPTION	DATE	DWN	APVD
		E		REVISED PER ECR-13-011489	12DEC2013	KH	PD



1 SUPPLIED IN LOOSE PIECE.



1217831-1
PART NUMBER

THIS DRAWING IS A CONTROLLED DOCUMENT.		DWN	JR RUTH	29APR02	 TE Connectivity					
DIMENSIONS: INCHES		CHK	MS FEHER	29APR02						
		APVD	N DEIBERT	29APR02						
TOLERANCES UNLESS OTHERWISE SPECIFIED: 0 PLC ± - 1 PLC ± - 2 PLC ± - 3 PLC ± .010 4 PLC ± - ANGLES ± -		PRODUCT SPEC	NAME			TAB, FASTON, .250 SERIES				
MATERIAL	BRASS	FINISH	-		APPLICATION SPEC	SIZE	CAGE CODE	DRAWING NO	RESTRICTED TO	
-		-		WEIGHT	-	A3	00779	C-1217831	-	
CUSTOMER DRAWING					SCALE	5:1	SHEET	1 OF 1	REV	E