

Ratings

Operating temperature range: -10° to 60° C
Flammability: UL 94 V-0

Materials

1. Insulator: PBT, black
2. Pin: copper alloy, nickel plated
3. Shell: brass, nickel plated
4. Spring contact: stainless steel, nickel plated
5. Spring contact collar: copper alloy, nickel plated
6. Solder tab: brass, nickel plated
7. Washer p/n 56-00001: cold rolled steel, nickel plated
8. Nut p/n 56-00000: brass, nickel plated

Electrical Requirements

Dielectric strength: 1 min @ 500 Vac
Insulation resistance: 100 MΩ @ 500 Vdc
Contact resistance: 50 mΩ or less

Mechanical Requirements

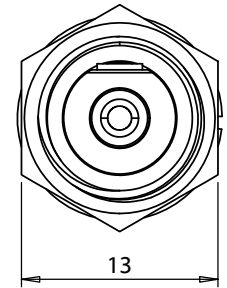
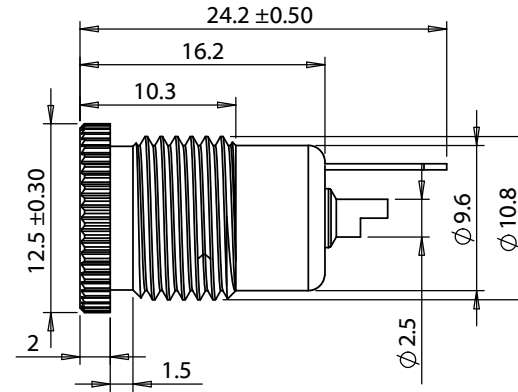
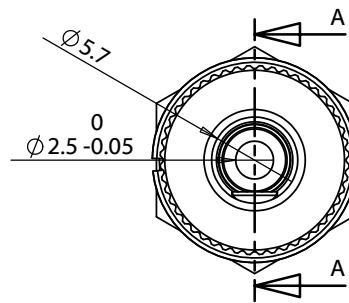
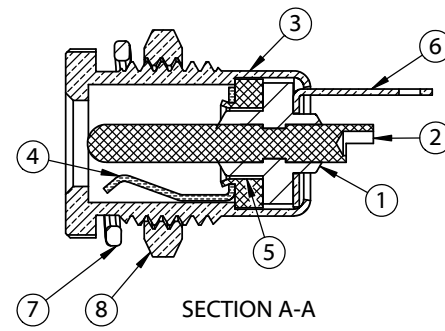
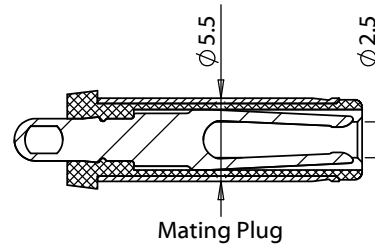
Insertion force: 0.3-3 kgf
Withdrawal force: 0.2-3 kgf
Terminal strength: a static load of 150 gf shall be applied to the terminal for 15 seconds in any direction.
Life cycle: 5000 mating cycles while maintaining less than 100 mΩ contact resistance, 50MΩ insulation resistance minimum, and dielectric strength of 500 Vac for 1 minute withstand voltage.

Soldering

Solderability: 75% minimum coverage when terminals dipped 2mm in 245 ±5 °C solder bath for 3 ±0.5 seconds
Solder bath durability: no deformation when immersed in 255 ±5 °C bath for 5 seconds or less
Solder iron durability: no deformation when exposed to 350 ±10 °C for 3 ±0.5 seconds

Environmental Requirements

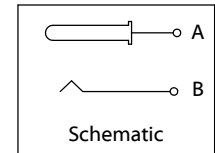
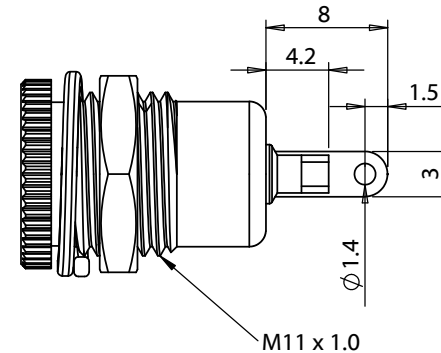
Cold test: -25 ±3 °C for 48 hours without deformation
Heat test: 70 ±2 °C, for 48 hours without deformation
Humidity test: 40 ±2 °C, relative humidity 90-95% for 48 hours without deformation



Installation Details

Panel thickness: 1.0 - 4.5 mm

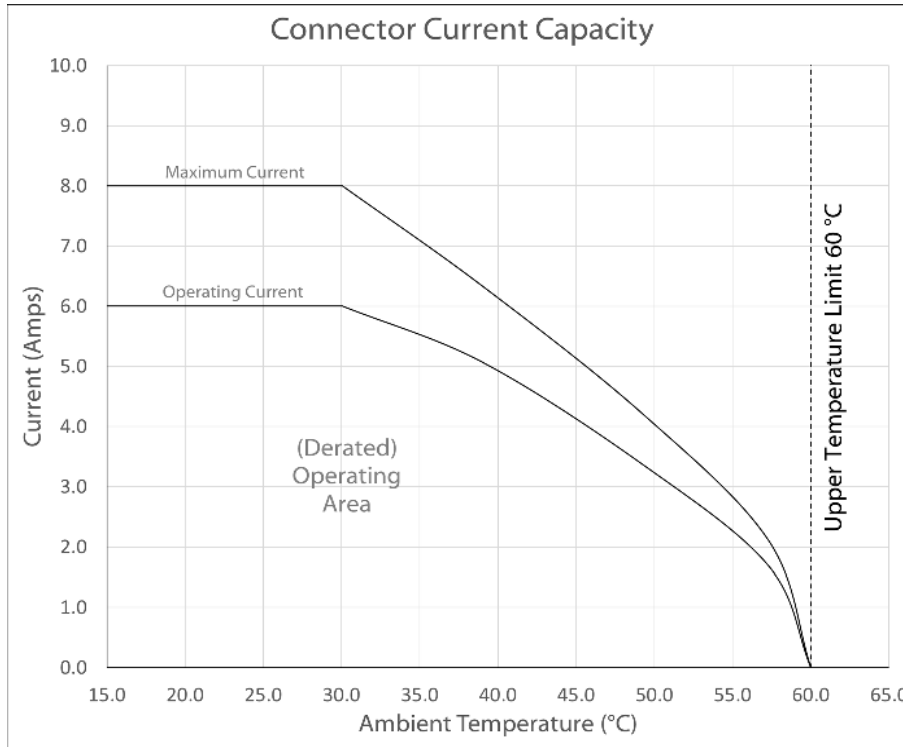
Panel cutout Ø: 11.0 - 12.0 mm



Revision:	Date:	Description:	Prepared:	Notes:	TENSILITY tel 1.541.323.3228 800 877.670.7118 fax 1.541.323.4202 web tensility.com
A	8/05/2016	Initial release	RS <small>Digitally signed by RS Date: 2018.11.01 13:42:39 -07'00'</small>	RoHS compliant	
A1	1/04/2017	Updated materials list	Verified: PS <small>Digitally signed by PS Date: 2018.11.05 13:24:37 -08'00'</small>	Function test: no open, no short circuit, no intermittent	
A2	8/25/2017	Updated notes	Dimensions are in millimeters. Tolerances: X: ± 0.5 mm X.X: ± 0.3 mm X.XX: ± 0.05 mm	Description: Connector, dc jack, 5.5x2.5xL24.2 mm, panel mount, threaded, nut and washer, brass, nickel	
				Size:	Part number:
				A	54-00064
				Scale: 2:1	Sheet 1 of 2

Ratings

Maximum Operating Voltage: 48 Vdc
 Maximum Operating Current: 6.0 A



Testing based on IEC 60512-5-2. Max current curve generated with isolated test article under controlled environmental conditions, and does not take into account external factors such as housings, mating cables, or other circuitry. Operating current curve (derated by 20% of maximum values) accounts for external factors, and manufacturing variation.

Revision:	Date:	Description:	Prepared:	Notes:	<h1>TENSILITY</h1> <p>tel 1.541.323.3228 800 877.670.7118 fax 1.541.323.4202 web tensility.com</p>
A	8/05/2016	Initial release	RS <small>Digitally signed by RS Date: 2018.11.01 13:43:05 -07'00'</small>	RoHS compliant	
A1	1/04/2017	Updated materials list	Verified:	Function test: no open, no short circuit, no intermittent	Size: Part number: A 54-00064
A2	8/25/2017	Updated notes	PS <small>Digitally signed by PS Date: 2018.11.05 13:24:49 -08'00'</small>	Description:	
			Dimensions are in millimeters. Tolerances: X: ± 0.5 mm X.X: ± 0.3 mm X.XX: ± 0.05 mm	Connector, dc jack, 5.5x2.5xL24.2 mm, panel mount, threaded, nut and washer, brass, nickel	Scale: 2:1

