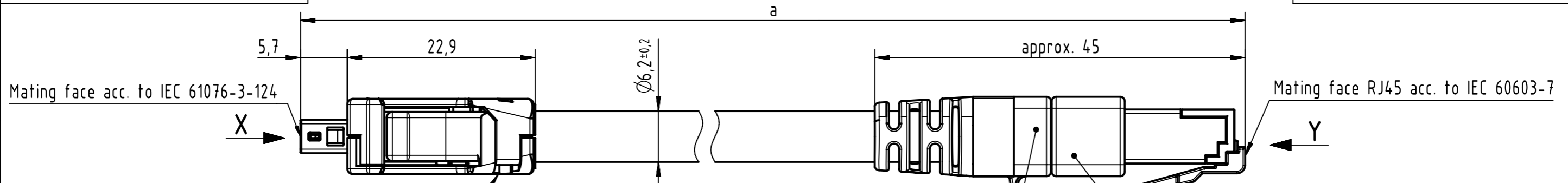


Connector Location A

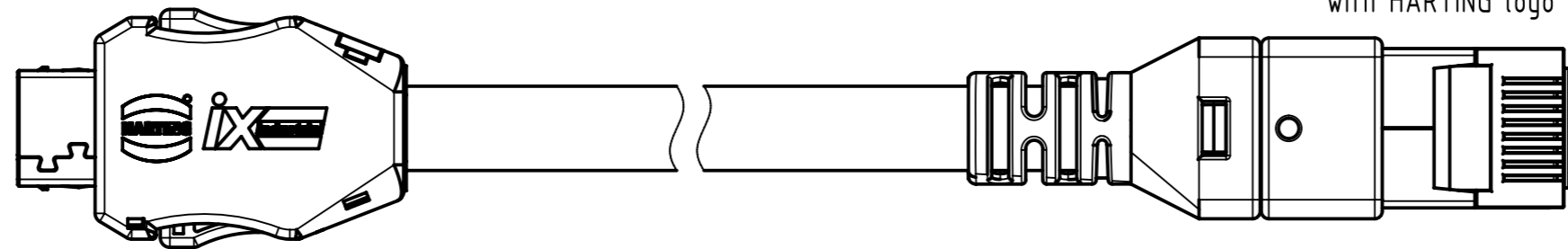
Connector Location B



HARTING ix Industrial Cat. 6A, 10-pole, Type A IDC (IP20)

IP20 RJ45 DualBoot, Cat. 6A, 8-pole

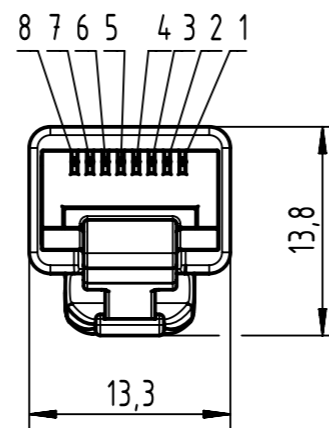
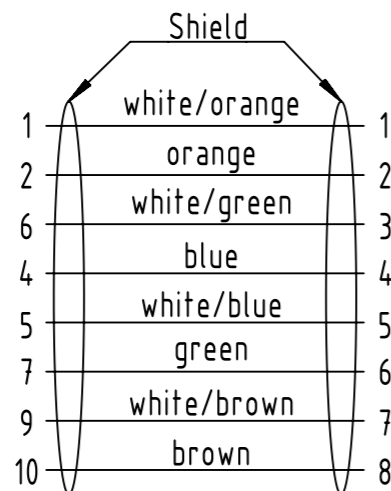
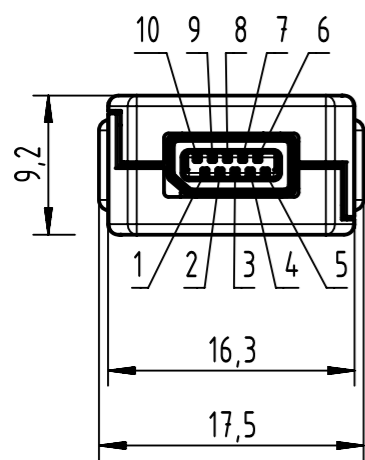
Black overmolded body
Black protection latch with HARTING logo



X male

Y male

Loading Plan acc. to TIA/EIA 568B



Contacts 3 and 8 are not connected

NOTE:

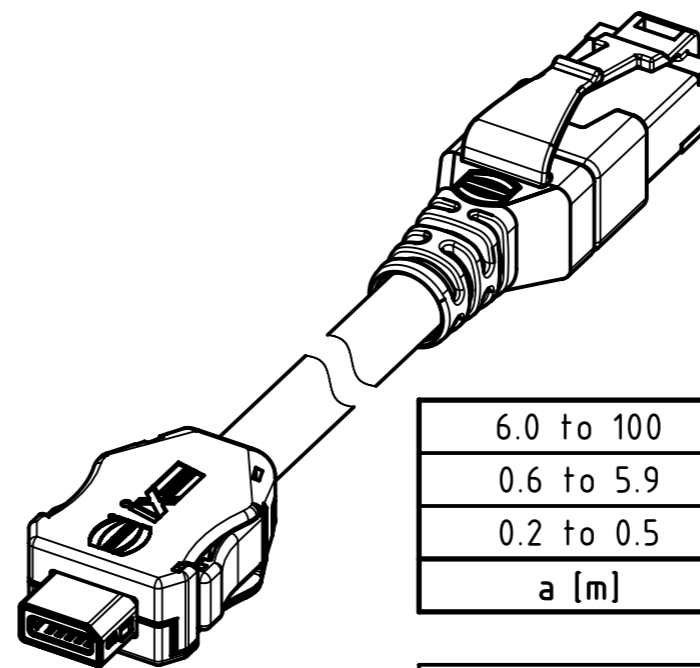
For lengths < 1.0m:

- relative positioning of the connectors to each other will be as presented in the drawing, however with an admissible angular deviation around cable axis of ± 30°

For lengths ≥ 1.0m:

-relative positioning of the connectors to each other not obligatory

- Contact material: cooper alloy (for ix)
- Contact area: Gold 0.2µm min. (for ix)
- Temperature range:
 - Fixed installation: -20°C ... +60°C
 - Dynamic installation: 0°C ... +50°C



6.0 to 100	±1%
0.6 to 5.9	+0.04
0.2 to 0.5	+0.02
a [m]	Tolerance

length in "1m" step	100	XXX=000
	99	XXX=990
	.	.
	12	XXX=120
length in "0.1m" step	11	XXX=110
	10	XXX=100
	9.9	XXX=099
	9.8	XXX=098
	.	.
	0.5	XXX=005
	0.4	XXX=004
	0.3	XXX=003
	0.2	XXX=002
Step	a [m]	XXX

Cat. 7 FRNC Ethernet Cable, AWG 26/7, S/FTP, yellow	33480147826XXX
Type of cable	Part no.

All Dimensions in mm		Tech. Character.		Free size tol.		According to production drawing	
	All rights reserved	Created by 407675 Lorinci	Inspected by 402676 Gross	Standardisation MUNTEANV Muntean	Date 2022-11-16	State Final Release	
	Department HCS - RO	Title ix Industrial - RJ45 Cat.6A FRNC yellow			Doc-Key / ECM-Nr. 100882415/UGD/000/E 500000226507		
HARTING Customised Solutions D-32339 Espelkamp		Type TB	Number 33480147826XXX		Rev. E	Page 1/1	