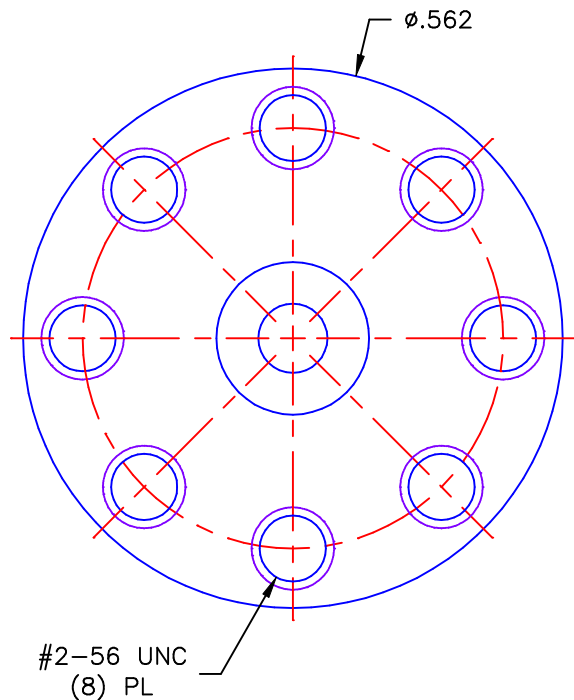
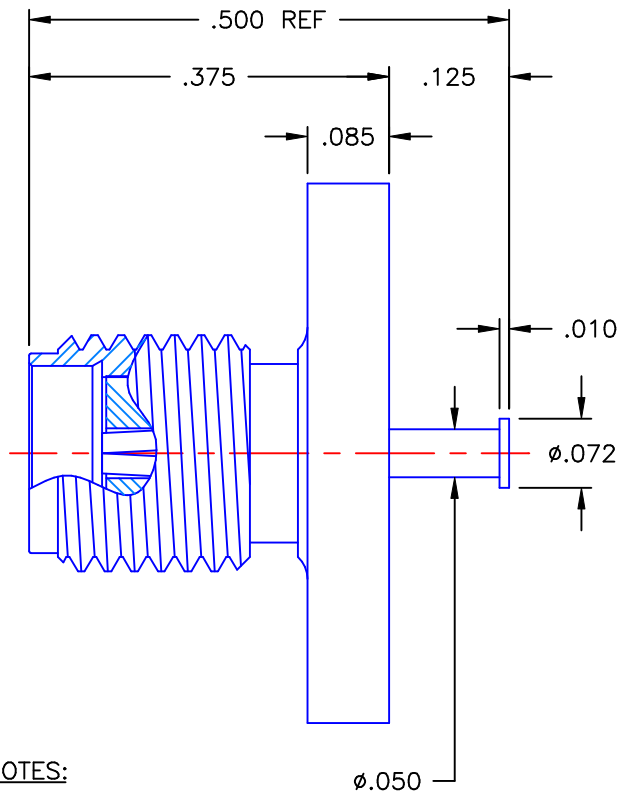
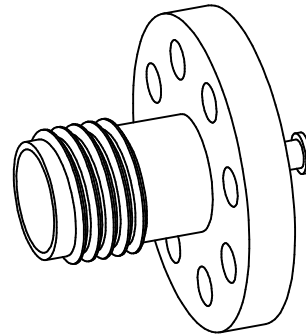


REVISIONS			
REV	DESCRIPTION	DATE	APPROVED
-	INITIAL RELEASE	10/23/01	A.D.M.

PROPRIETARY INFORMATION
NOT TO BE RELEASED
WITHOUT WRITTEN PERMISSION
FROM AN AUTHORIZED
REPRESENTATIVE OF
APPLIED ENGINEERING PRODUCTS




NOTES:

MATERIALS:

1. BODY = STAINLESS STEEL PER ASTM A582, ALLOY 303, CONDITION "A".
2. INSULATOR = VIRGIN WHITE TEFLON PER ASTM D1710, GRADE 1, TYPE I, CLASS "B".
3. CONTACT = BERYLLIUM COPPER PER ASTM B196, ALLOY C17300, TEMPER TD04.

FINISHES:

1. BODY = PASSIVATE PER QQ-P-35, TYPE VI.
2. CONTACT = GOLD PLATE PER MIL-G-45204, TYPE II, CLASS 1, GRADE C, OVER .00010 TO .00020 STRESS FREE SULFAMATE NICKEL PER QQ-N-290.

UNLESS OTHERWISE SPECIFIED DIMENSIONS ARE IN INCHES TOLERANCES ON		DWN: A.D.M.	DATE 10/23/01		APPLIED ENGINEERING PRODUCTS		
		CHKD: GAT	DATE 10/23/01		104 John W. Murphy Dr. New Haven, CT 06513		
DECIMAL	ANGLE	APVD: D.J.C.	DATE 10/23/01	SMA STRAIGHT JACK TO STRIPLINE NON-CAPTIVE CONTACT			
REFERENCE:		MATERIALS & FINISHES: SEE NOTES		SIZE A	FSCM NO. 19505	DWG NO. 9003-9213-003	REV -
ORIGINATOR: A.D.M. DATE: 10/23/01				SCALE 5:1		SHEET 1 OF 1	

9003-9213-003