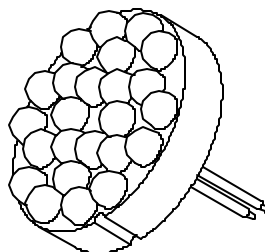
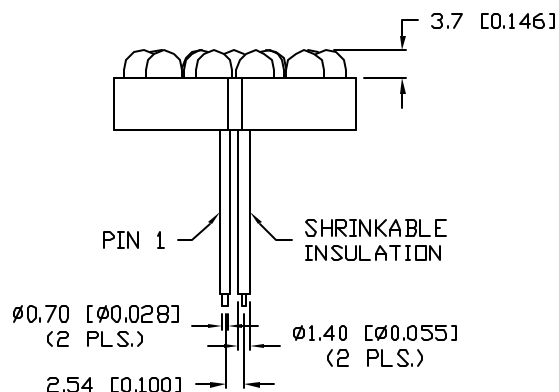
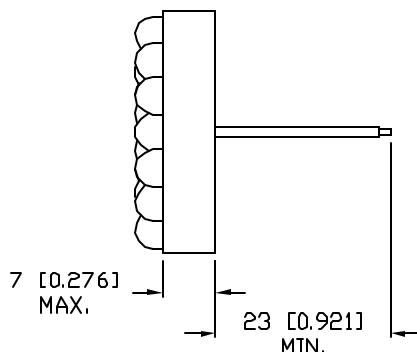
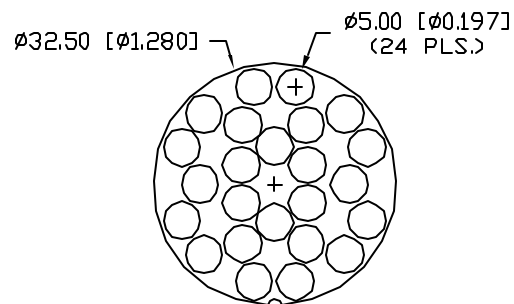


UNCONTROLLED DOCUMENT

PART NUMBER  
SSP-LXC1283S24

REV.  
B

| REV. | E.C.N. NUMBER AND REVISION COMMENTS | DATE    |
|------|-------------------------------------|---------|
| A    | E.C.N. #10616.                      | 4-20-00 |
| B    | E.C.N. #10626.                      | 6-1-00  |



ELECTRO-OPTICAL CHARACTERISTICS  $T_A=25^{\circ}\text{C}$   $I_f=80\text{mA}$

| PARAMETER          | MIN          | TYP  | MAX | UNITS    | TEST COND            |
|--------------------|--------------|------|-----|----------|----------------------|
| PEAK WAVELENGTH    |              | 590  |     | nm       |                      |
| FORWARD VOLTAGE    |              | 12.6 | 15  | $V_f$    |                      |
| REVERSE VOLTAGE    | 5.0          |      |     | $V_r$    | $I_f=100\mu\text{A}$ |
| AXIAL INTENSITY**  |              | 1200 |     | mcd      | $I_f=80\text{mA}$    |
| VIEWING ANGLE      |              | 30   |     | 2x theta |                      |
| EMITTED COLOR:     | SUPER YELLOW |      |     |          |                      |
| EPOXY LENS FINISH: | WATER CLEAR  |      |     |          |                      |

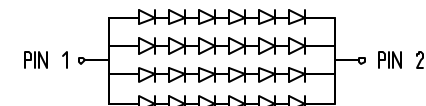
\*\* INTENSITY PER DIE.

LIMITS OF SAFE OPERATION AT  $25^{\circ}\text{C}$  PER DIE

| PARAMETER                        | MAX        | UNITS                  |
|----------------------------------|------------|------------------------|
| PEAK FORWARD CURRENT*            | 90         | mA                     |
| STEADY CURRENT                   | 30         | mA                     |
| POWER DISSIPATION                | 105        | mW                     |
| DERATE FROM $25^{\circ}\text{C}$ | -1.2       | mW/ $^{\circ}\text{C}$ |
| OPERATING, STORAGE TEMP.         | -30 TO +70 | $^{\circ}\text{C}$     |
| SOLDERING TEMP.                  | +260       | $^{\circ}\text{C}$     |
| 2.0mm FROM BODY                  |            | 3 SEC. MAX             |

\*  $t < 10\mu\text{s}$

PIN OUT



REPLACES PART #: SSP-LXC1283S24A

\*UNLESS OTHERWISE SPECIFIED TOLERANCES PER DECIMAL PRECISION ARE: X=±1 (±0.030), XX=±0.5 (±0.020), XXX=±0.25 (±0.010), XXXX=±0.127 (±0.005). LEAD SIZE=±0.05 (±0.002), LEAD LENGTH=±0.75 (±0.030). MIN=+0.00 -0.00 MAX.=+0.00 -0.00

REV.  
B

PART NUMBER  
SSP-LXC1283S24

CONFIDENTIAL INFORMATION  
THE INFORMATION CONTAINED IN THIS DOCUMENT IS THE PROPERTY OF SUNBRITE LEDS. EXCEPT AS SPECIFICALLY AUTHORIZED IN WRITING BY SUNBRITE LEDS, THE HOLDER OF THIS DOCUMENT SHALL KEEP ALL INFORMATION CONTAINED HEREIN CONFIDENTIAL AND SHALL PROTECT SAME IN WHOLE OR IN PART FROM DISCLOSURE AND DISSEMINATION TO ALL THIRD PARTIES.



286 E. HELEN ROAD  
PALATINE, IL 60067-6976  
PHONE: +1.847.359.2790  
FAX: +1.847.359.2867  
WEB: www.sunbriteleds.com

1.28" CIRCULAR, 24 LAMP POLYLED,  
590nm AlInGaP YELLOW LEDES, WATER CLEAR LENS.

RELIABILITY NOTE  
OUR MANY YEARS OF EXPERIENCE DATA ACCUMULATION INDICATE THAT SOLDER HEAT IS A MAJOR CAUSE OF EARLY AND FUTURE FAILURE. PLEASE PAY ATTENTION TO YOUR SOLDERING PROCESS.

DRAWN: BC  
CHECKED:  
APPROVED:  
DATE: 1.14.00  
PAGE: 1 OF 1