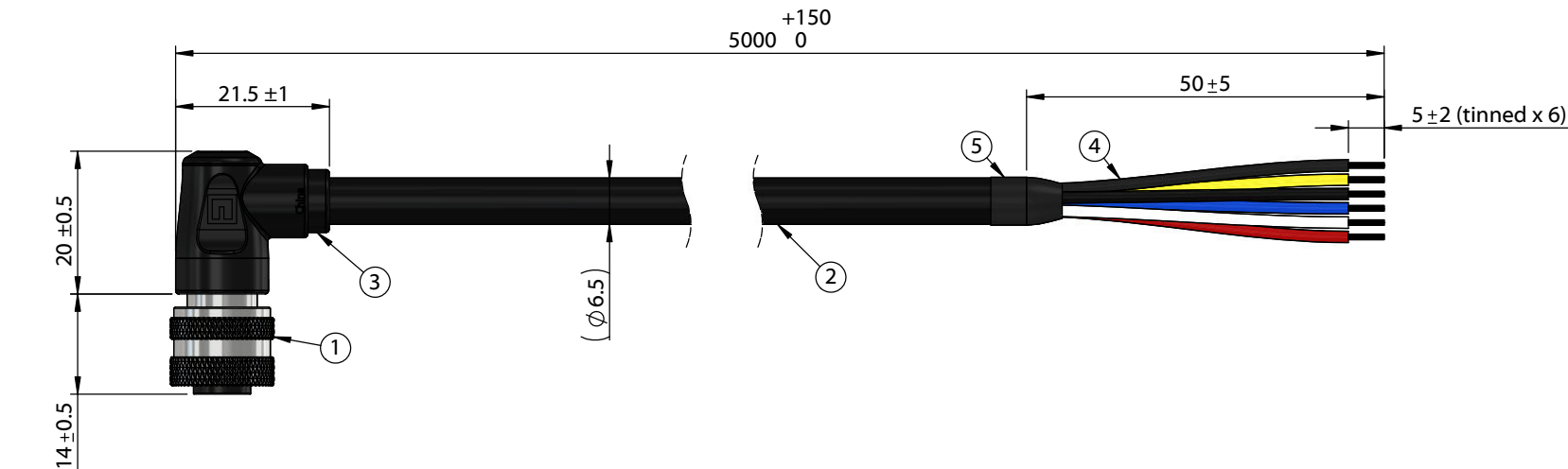


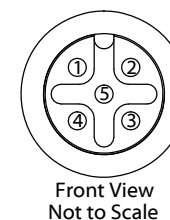
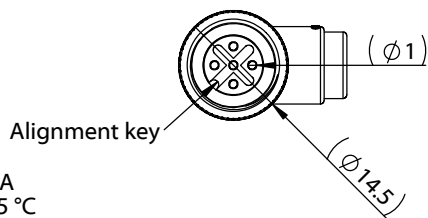
ITEM NO.	PART NUMBER	DESCRIPTION	QTY.	COMPONENT NOTES
1	50-00981	Connector, 5 pin M12 A-code socket, 12xL22mm, gold plated, molding style, solder cup, IP67, shielded	1	
2	30-01586	Wire, 5C TS, 22 AWG, UL20387, 300V, 105C, 60C oil, UV, 6.5 mm, shielded, VW-1, PVC, 80A, black	1	
3	24-00361	Overmold, M12 plug and jack, 90°	1	PVC, black
4	Heat Shrink	Heat shrink, black	1	covers drain
5	Heat Shrink	Heat shrink, black	1	covers end of jacket



**Notes:**  
 Cable rated for 60 V, 4 A  
 Temperature: -40 ~ 105 °C  
 Oil resistant up to 60 °C  
 Water resistant up to 75 °C  
 UV resistant

IP67 waterproof rating when mated with corresponding (IP67) connector

Functionally equivalent components may be substituted



Wiring Diagram	
50-00981	wire color
1	red
2	yellow
3	black
4	white
5	blue
shell	shield/drain

Revision: A	Date: 12/29/2021	Description: Initial release	Prepared: MP Digitally signed by MP Date: 2022.07.13 13:21:40 -07'00'	Notes: RoHS compliant Function test: no open, no short circuit, no intermittent	<h1>TENSILITY</h1> <p>tel 1.541.323.3228 800 877.670.7118 fax 1.541.323.4202 web tensility.com</p>
			Verified: PB Digitally signed by PB Date: 2022.07.13 13:21:40 -07'00'	Description: Cable, 5000 mm, 1.0 mm 5C 90° 50-00981 M12 socket to 5 mm tinned, 22 AWG, 30-01586 wire, shielded	
			Dimensions are in millimeters. Tolerances: X: ± 0.5 mm X.X: ± 0.3 mm X.XX: ± 0.05 mm		Size: A Part number: 10-04713
					Scale: 1:1 Sheet 1 of 1

5 4 3 2 1