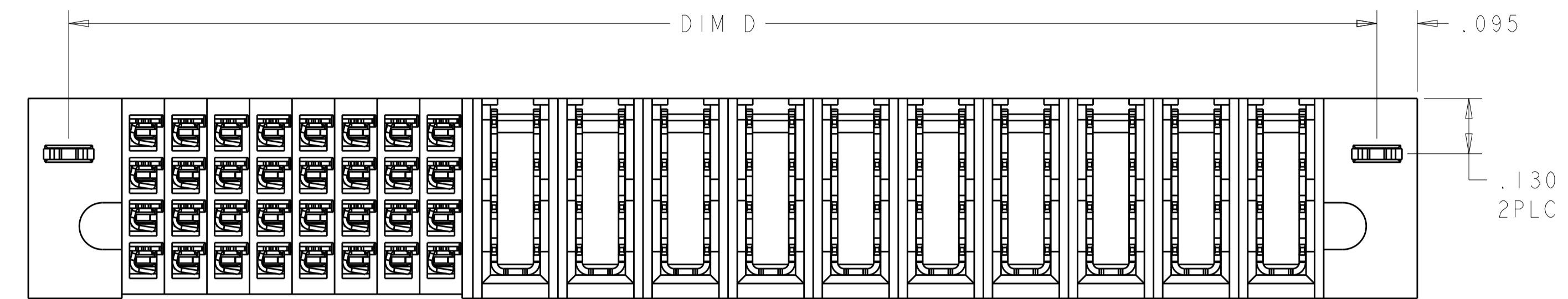
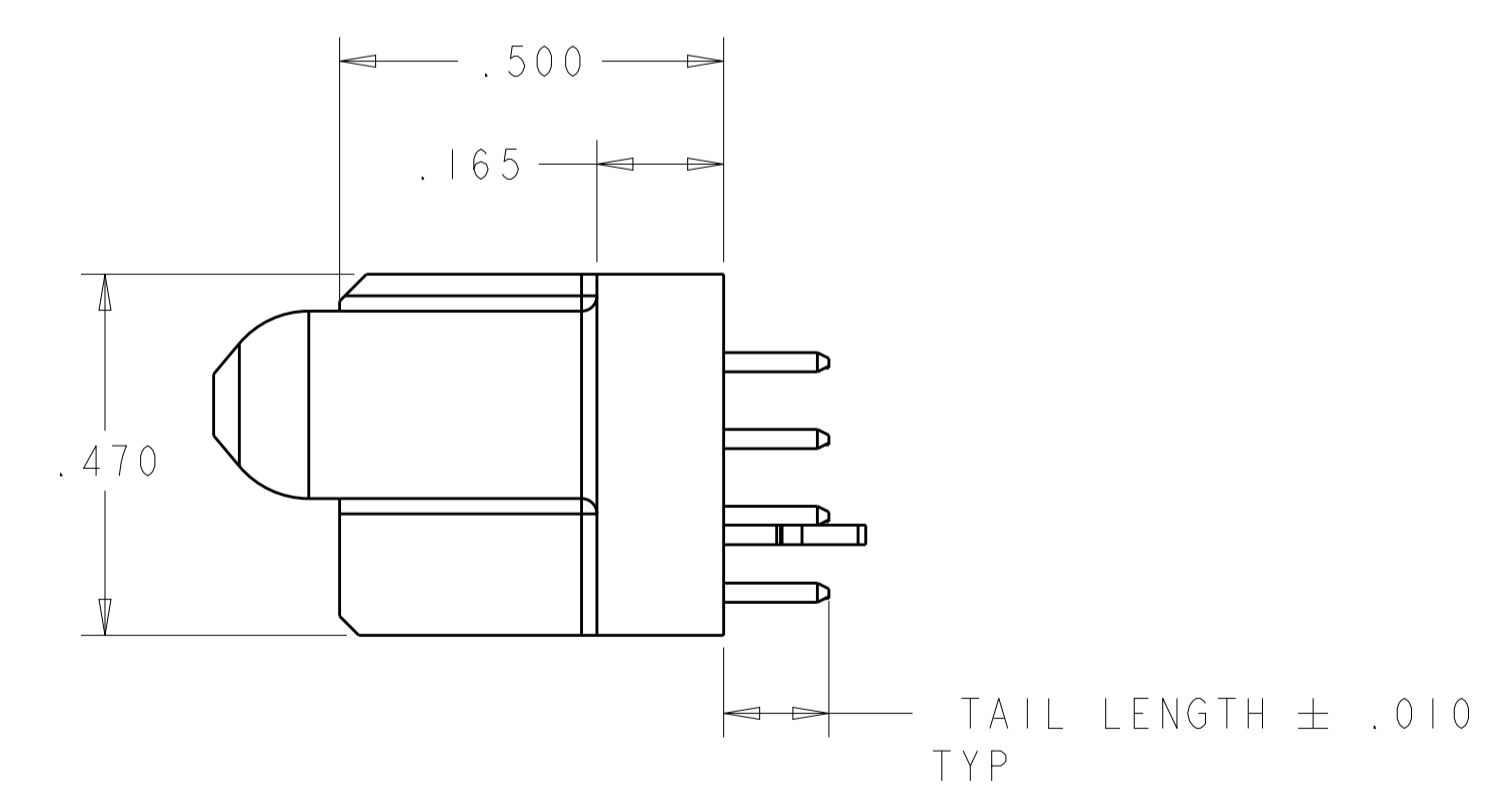
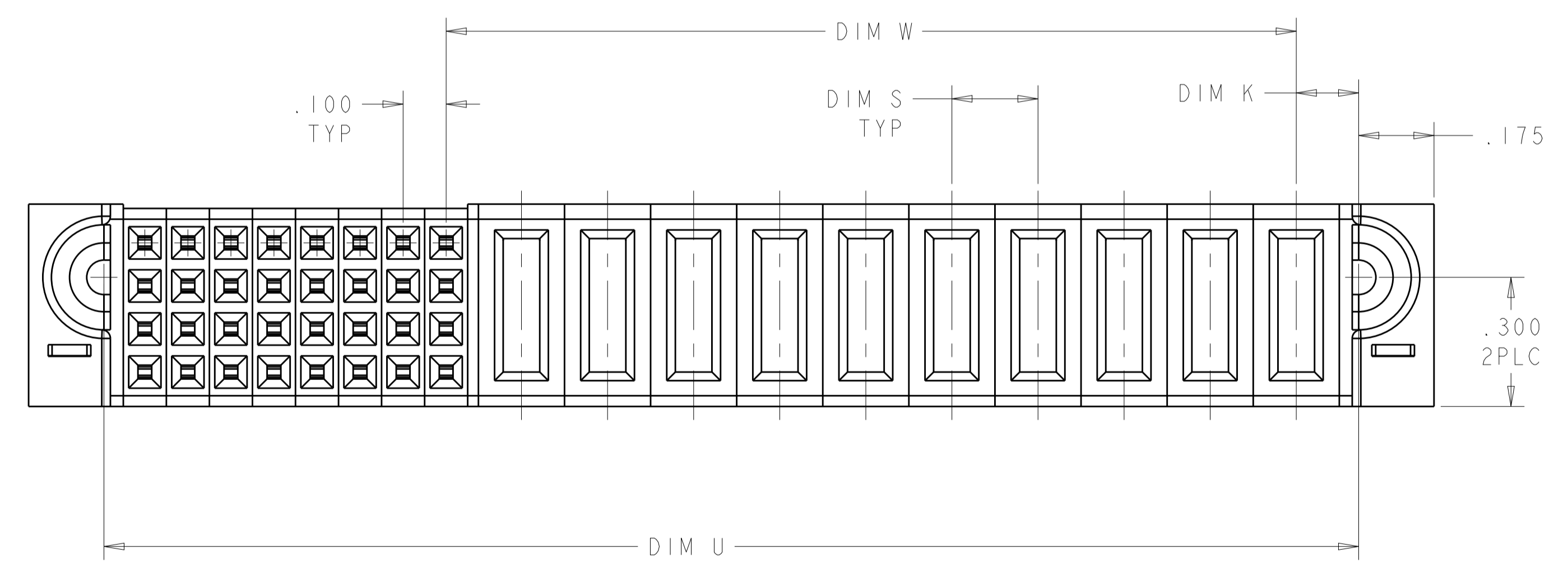
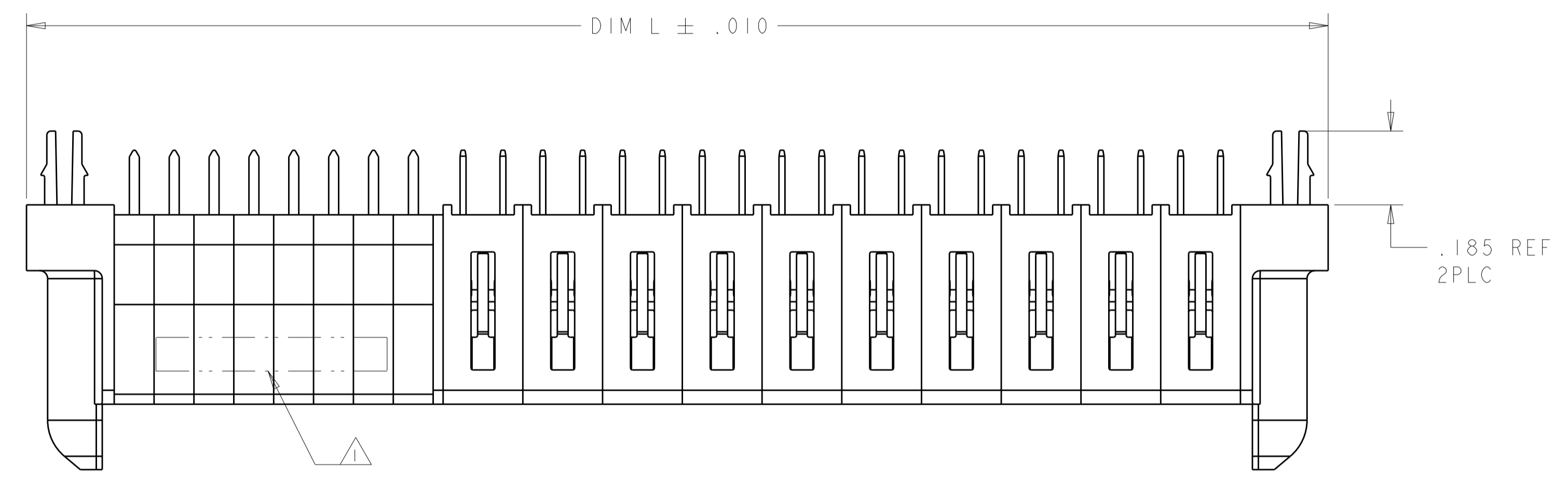


LOC	DIST	REVISIONS					
		P	LTN	DESCRIPTION	DATE	DMN	APVD
ES	00						
		C2		ADD NEW DASH NUMBER 1-2	04FEB2015	CZ	SZ
		C3		ADDED NEW DASH NUMBER 2-2	12DEC2016	CZ	SZ
		C4		REV PER ECO-17-001490	16DEC2016	CZ	SZ



- 1 "AMP", TRADEMARK, PART NUMBER AND DATE CODE TO BE MARKED IN AREA SHOWN
- 2 MATERIAL: HOUSING - GLASS FILLED HIGH TEMP THERMO PLASTIC, UL94 V-0, BLACK
 SIGNAL CONTACT - HIGH CONDUCTIVITY COPPER ALLOY
 POWER CONTACT - HIGH CONDUCTIVITY COPPER ALLOY
- 3 CONTACT PLATING: NOBLE METAL PLATING ON CONTACT FUNCTIONAL AREA OF POWER AND SIGNAL CONTACTS
- 4 MECHANICAL CONNECTOR KEEP OUT ZONE
- 5 DATUM AND BASIC DIMENSIONS ESTABLISHED BY CUSTOMER
- 6 PCB - ALL HOLE DIAMETERS ARE FINISHED HOLE SIZES
- 7 PCB - .0453 ±.0010 DRILLED HOLES PLATED WITH .0003 MIN Sn OVER .001 TO .003 CU PLATING TO ACHIEVE A .040±.003 DIA HOLE
- 8 VARIABLE DIMENSIONS PLEASE SEE SHEET 2 OR TABLE ON PART VIEW..


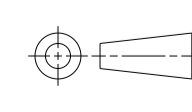


THIS DRAWING IS A CONTROLLED DOCUMENT.		DMN H. LIU 28MAY2008	TE Connectivity
DIMENSIONS: INCHES		CHK S. ZHAO 28MAY2008	
DIMENSIONS: INCHES 0 PLC ±. 1 PLC ±.01 2 PLC ±.01 3 PLC ±.005 4 PLC ±.0020 ANGLES ±.7°		APVD S. YAO	NAME VERTICAL RECEPTACLE ASSEMBLY, WITH GUIDES MULTI-BEAM XLE
MATERIAL		PRODUCT SPEC 108-1973	SIZE A1
FINISH		APPLICATION SPEC 114-13038	CAGE CODE 6450852
CUSTOMER DRAWING		WEIGHT	RESTRICTED TO
SCALE 1:1		SHEET 1 OF 10	REV C4

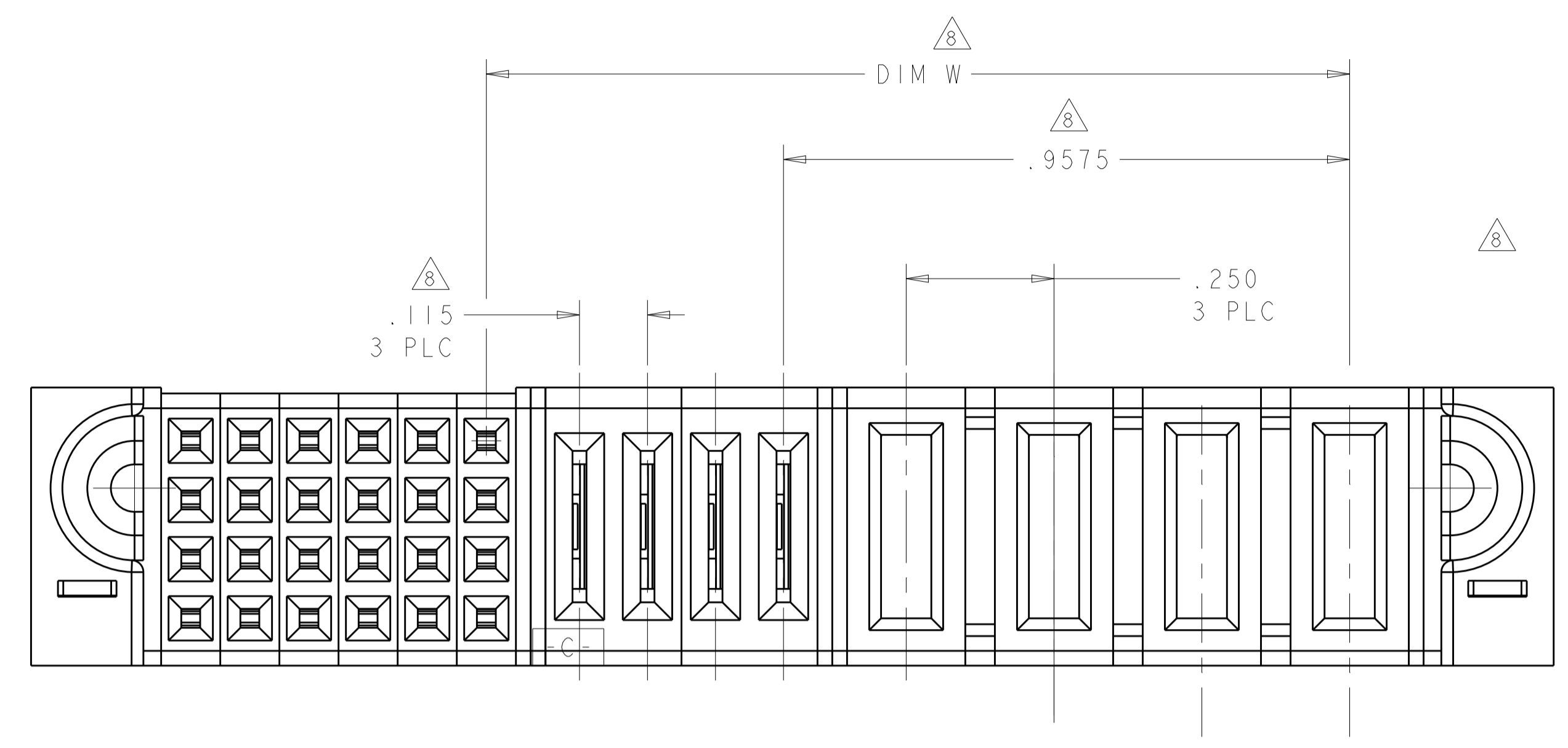
THIS DRAWING IS UNPUBLISHED. RELEASED FOR PUBLICATION 20
 © COPYRIGHT 20 BY - ALL RIGHTS RESERVED.

LOC	DIST	REVISIONS			
P	LTN	DESCRIPTION	DATE	DWN	APVD
-		SEE SHEET 1	-	-	-

\triangle	4.640	4.290	4.450	2.550	.145	5P+2HDP+4P+64S	2-6450852-2
.250	1.490	1.140	1.300	.675	.170	3P + 12S	1-6450852-2
.250	2.690	2.340	2.500	-	.170	9P	6450852-9
.250	3.090	2.740	2.900	1.950	.170	8P + 24S	6450852-8
\triangle	4.640	4.290	4.450	2.550	.145	5P+2HDP+4P+64S	6450852-7
.200	1.090	.740	.900	-	.170	3HDP	6450852-6
\triangle	4.015	3.665	3.825	3.075	.195	3ACP + 9P + 16S	6450852-5
.200	3.065	2.715	2.875	1.975	.145	10HDP + 24S	6450852-4
.200	3.065	2.715	2.875	1.975	.145	10HDP + 24S	6450852-3
.250	2.575	2.225	2.385	1.460	\triangle .170	4P + 4LP + 24S	6450852-2
.200	3.265	2.915	3.075	1.975	.145	10HDP + 32S	6450852-1
DIM S	DIM L	DIM U	DIM D	DIM W	DIM K	DESCRIPTION	PART NUMBER

THIS DRAWING IS A CONTROLLED DOCUMENT.		DWN H. LIU 28MAY2008	 TE Connectivity
DIMENSIONS: INCHES		CHK S. ZHAO 28MAY2008	
TOLERANCES UNLESS OTHERWISE SPECIFIED: 0 PLC ±. 1 PLC ±.01 2 PLC ±.01 3 PLC ±.005 4 PLC ±.0020 ANGLES ±.020		APVD S. YAO	NAME VERTICAL RECEPTACLE ASSEMBLY, WITH GUIDES MULTI-BEAM XLE
		PRODUCT SPEC 108-1973	RESTRICTED TO
MATERIAL		APPLICATION SPEC 114-13038	SIZE A100779
FINISH		WEIGHT	DRAWING NO C=6450852
CUSTOMER DRAWING		SCALE 4:1	SHEET 2 OF 10
		REV C4	

LOC		DIST		REVISIONS			
P	LTN	DESCRIPTION	DATE	DWN	APVD		
-	-	SEE SHEET 1	-	-	-		



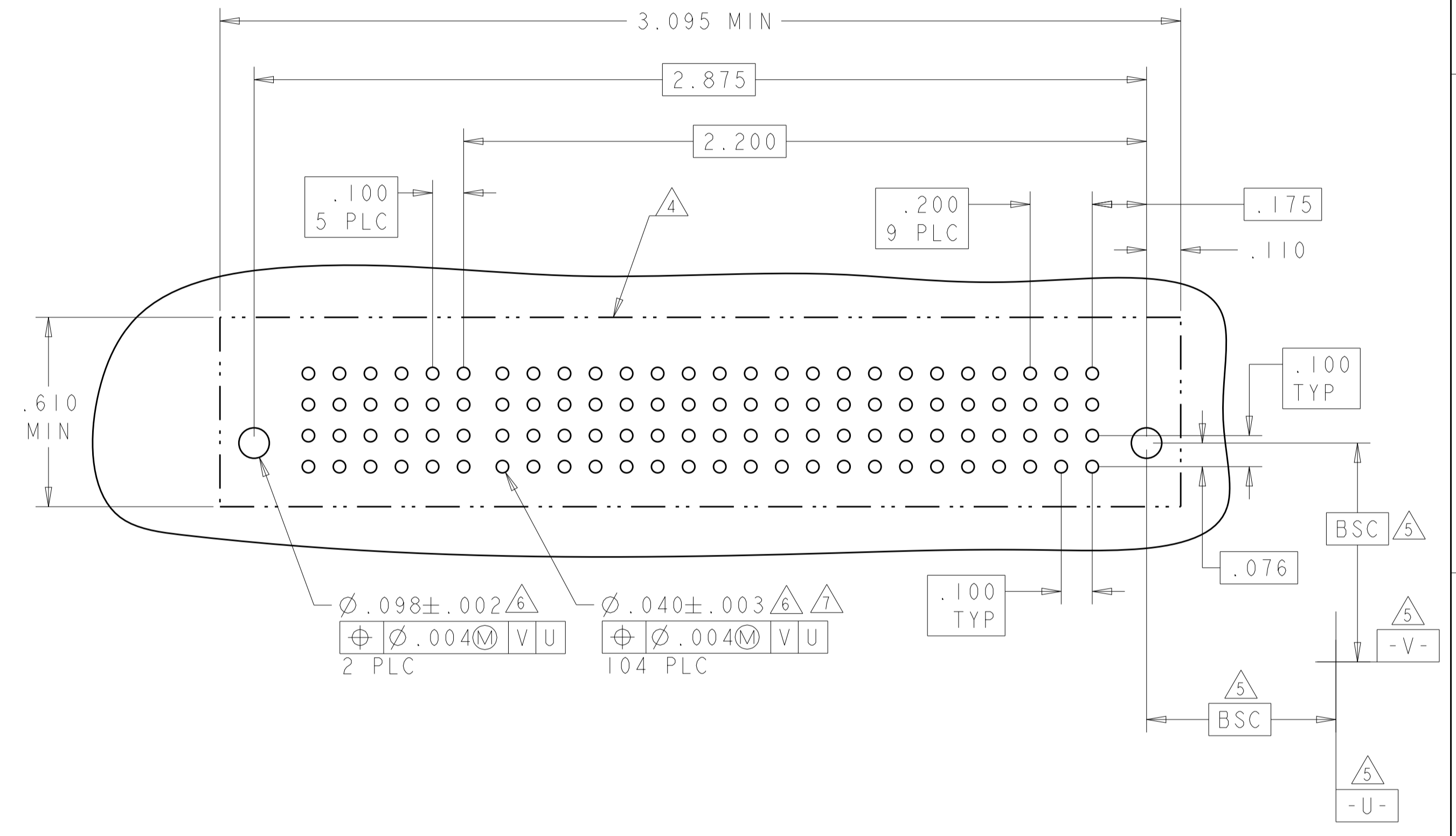
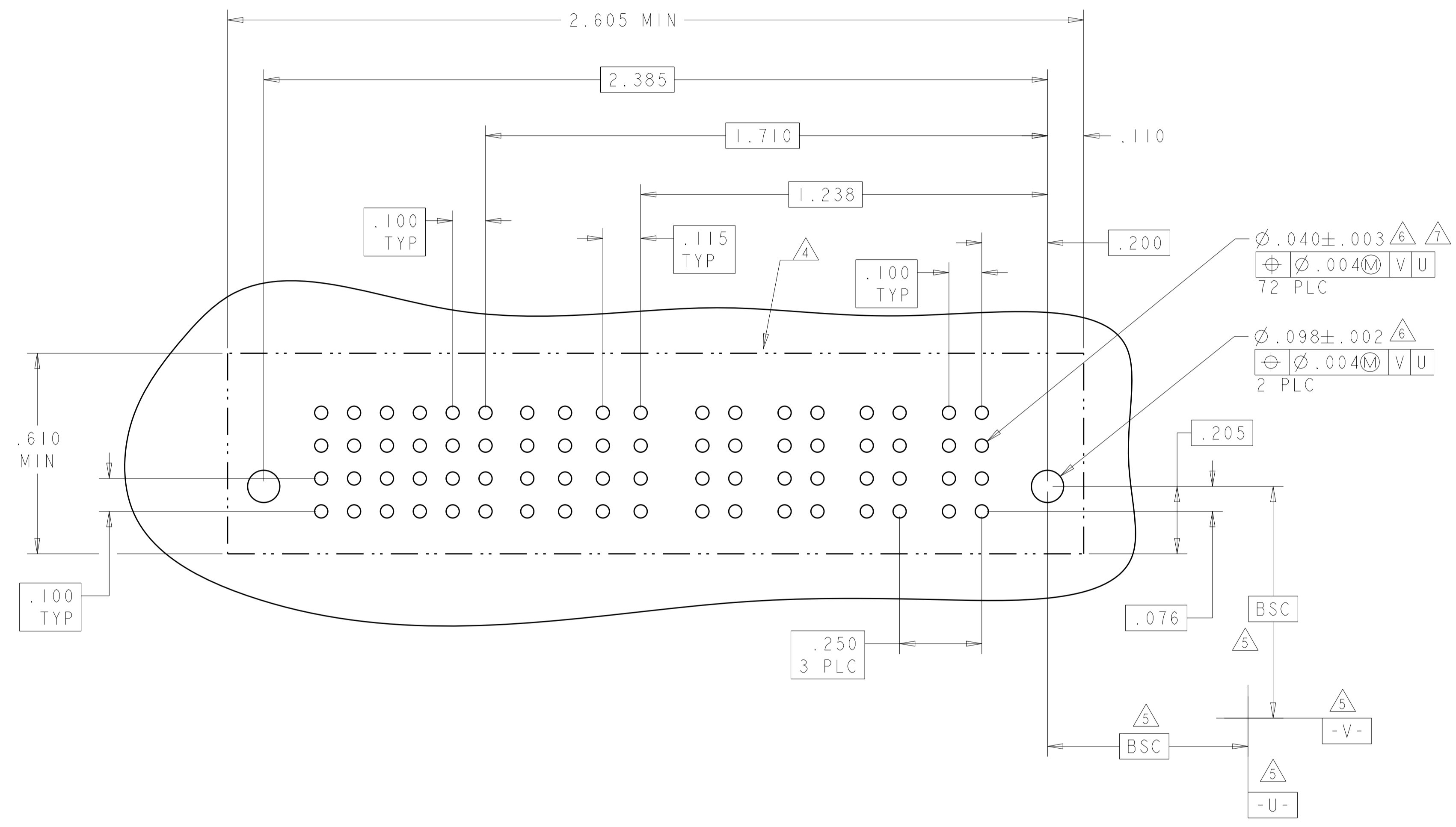
FOR P/N:6450852-2, OTHER DIMENSIONS PLEASE SEE TABLE.

THIS DRAWING IS A CONTROLLED DOCUMENT.		DWN H. LIU 28MAY2008	TE Connectivity
DIMENSIONS: INCHES		CHK S. ZHAO 28MAY2008	
TOLERANCES UNLESS OTHERWISE SPECIFIED: 0 PLC ±. 1 PLC ±. 2 PLC ±.01 3 PLC ±.005 4 PLC ±.0020 ANGLES ±.2° FINISH		APVD S. YAO	NAME VERTICAL RECEPTACLE ASSEMBLY, WITH GUIDES MULTI-BEAM XLE
		PRODUCT SPEC 108-1973	SIZE A100779
MATERIAL		APPLICATION SPEC 114-13038	DRAWING NO C=6450852
		WEIGHT	RESTRICTED TO
		CUSTOMER DRAWING	SCALE 4:1 SHEET 3 OF 10 REV C4

LOC	DIST	REVISIONS			
P	LTN	DESCRIPTION	DATE	DMN	APVD
-	-	SEE SHEET 1	-	-	-

PART NUMBER	ROWS	SIGNAL					POWER								
		6	5	4	3	2	1	P8	P7	P6	P5	P4	P3	P2	P1
6450852-2	D C B A	E	E	E	E	E	E	LM	LM	LM	LM	VM	VM	VM	VM
		E	E	E	E	E	E	LM	LM	LM	LM	VM	VM	VM	VM
		E	E	E	E	E	E	LM	LM	LM	LM	VM	VM	VM	VM
		E	E	E	E	E	E	LM	LM	LM	LM	VM	VM	VM	VM
4P + 4LP + 24S															

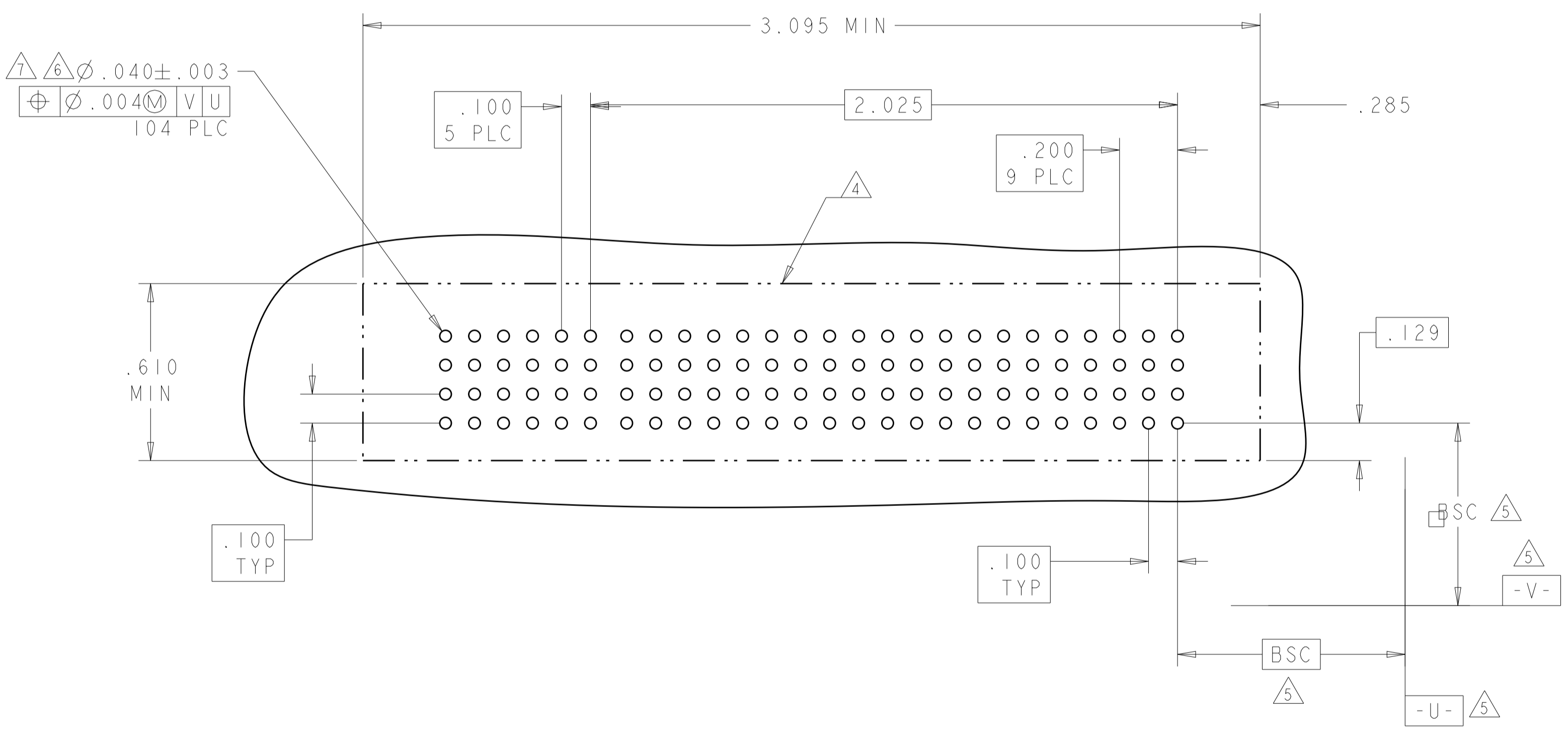
PART NUMBER	ROWS	SIGNAL						POWER									
		6	5	4	3	2	1	P10	P9	P8	P7	P6	P5	P4	P3	P2	P1
6450852-3	D C B A	E	E	E	E	E	E	VM	VM	VM	VM	VM	VM	VM	VM	VM	VM
		E	E	E	E	E	E	VM	VM	VM	VM	VM	VM	VM	VM	VM	VM
		E	E	E	E	E	E	VM	VM	VM	VM	VM	VM	VM	VM	VM	VM
		E	E	E	E	E	E	VM	VM	VM	VM	VM	VM	VM	VM	VM	VM
10HDP + 24S																	



THIS DRAWING IS A CONTROLLED DOCUMENT.		DMN: H.LIU 28MAY2008	 TE Connectivity
DIMENSIONS: INCHES		CHK: S.ZHAO 28MAY2008	
TOLERANCES UNLESS OTHERWISE SPECIFIED:		APVD: S.YAO	NAME: VERTICAL RECEPTACLE ASSEMBLY, WITH GUIDES MULTI-BEAM XLE
0 PLC ±.01		PRODUCT SPEC: 108-1973	SIZE: A1
2 PLC ±.01		APPLICATION SPEC: 114-13038	CAGE CODE: 100779
3 PLC ±.005		WEIGHT: -	DRAWING NO: 6450852
4 PLC ±.0020		CUSTOMER DRAWING	SCALE: 4:1
ANGLES: ±.2°		RESTRICTED TO: -	SHEET: 5 OF 10
FINISH: -		REV: C4	

LOC		DIST		REVISIONS			
P	LTN	DESCRIPTION	DATE	DMN	APVD		
-	-	SEE SHEET 1	-	-	-		

PART NUMBER	ROWS	SIGNAL						POWER								
		6	5	4	3	2	1	P10	P9	P8	P7	P6	P5	P4	P3	P2
6450852-4	D	E	E	E	E	E	E	VM	VM	VM	VM	VM	VM	VM	VM	VM
	C	E	E	E	E	E	E	VM	VM	VM	VM	VM	VM	VM	VM	VM
	B	E	E	E	E	E	E	VM	VM	VM	VM	VM	VM	VM	VM	VM
	A	E	E	E	E	E	E	VM	VM	VM	VM	VM	VM	VM	VM	VM
10HDP + 24S																



THIS DRAWING IS A CONTROLLED DOCUMENT.		DMN: H.LIU 28MAY2008	TE Connectivity
		CHK: S.ZHAO 28MAY2008	
DIMENSIONS:	TOLERANCES UNLESS OTHERWISE SPECIFIED:	APVD: S.YAO	NAME: VERTICAL RECEPTACLE ASSEMBLY, WITH GUIDES MULTI-BEAM XLE
INCHES	0 PLC ± 1 PLC ±.01 2 PLC ±.01 3 PLC ±.005 4 PLC ±.0020 ANGLES ±.2°	PRODUCT SPEC: 108-1973	SIZE: A100779
		APPLICATION SPEC: 114-13038	DRAWING NO: C=6450852
MATERIAL: -	FINISH: -	WEIGHT: -	RESTRICTED TO: -
CUSTOMER DRAWING		SCALE: 4:1	SHEET: 6 OF 10 REV: C4

LOC		DIST		REVISIONS			
P	LTN	DESCRIPTION	DATE	DMN	APVD		
-	-	SEE SHEET 1	-	-	-		

PART NUMBER	ROWS	POWER															
		4	3	2	1	P12	P11	P10	P9	P8	P7	P6	P5	P4	P3	P2	P1
6450852-5	D	E	E	E	E												
	C	E	E	E	E	VM	VM	VM	VM	VM	VM	VM	VM	VM	VA	VM	VM
	B	E	E	E	E												
	A	E	E	E	E												

3ACP + 9P + 16S

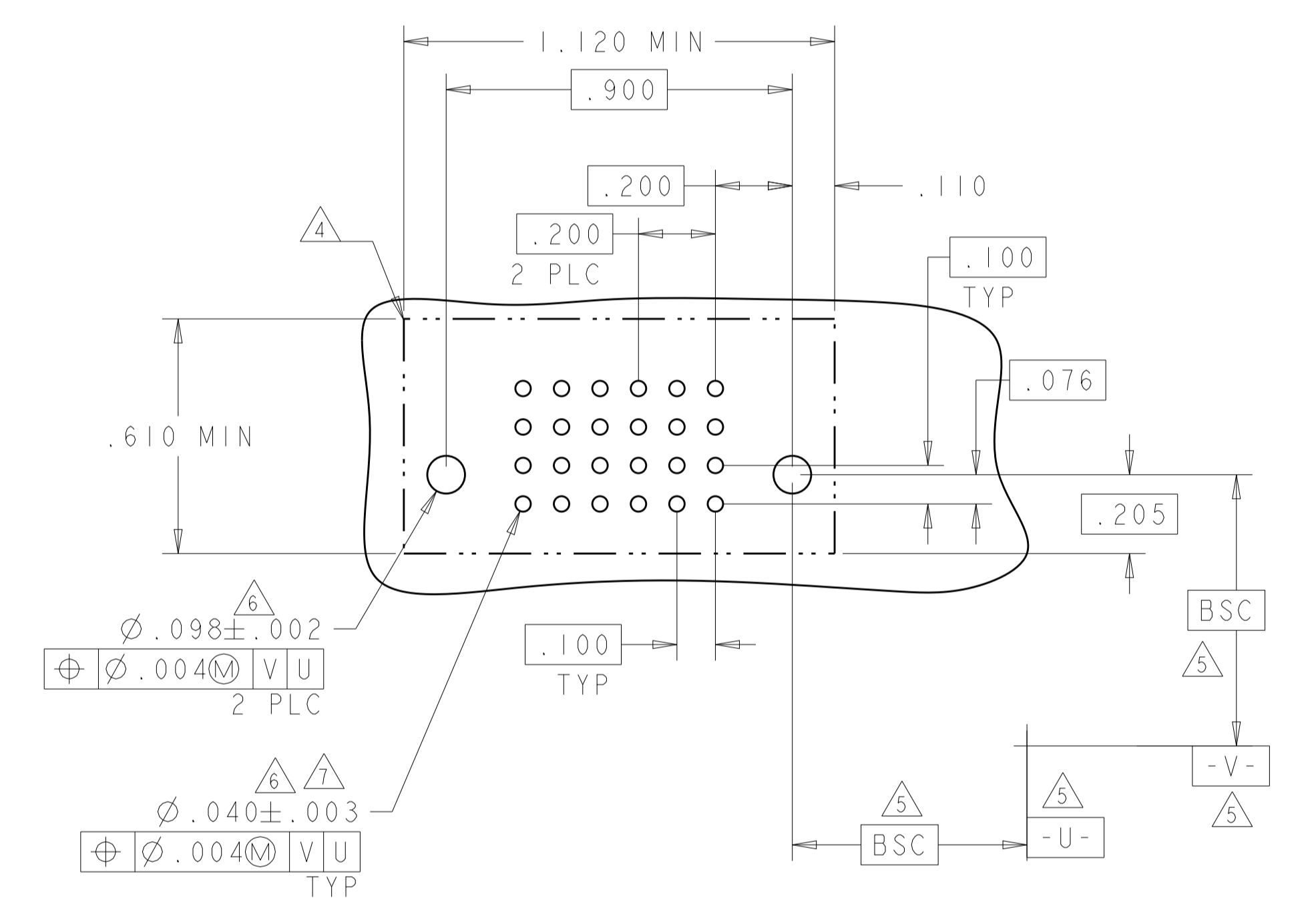
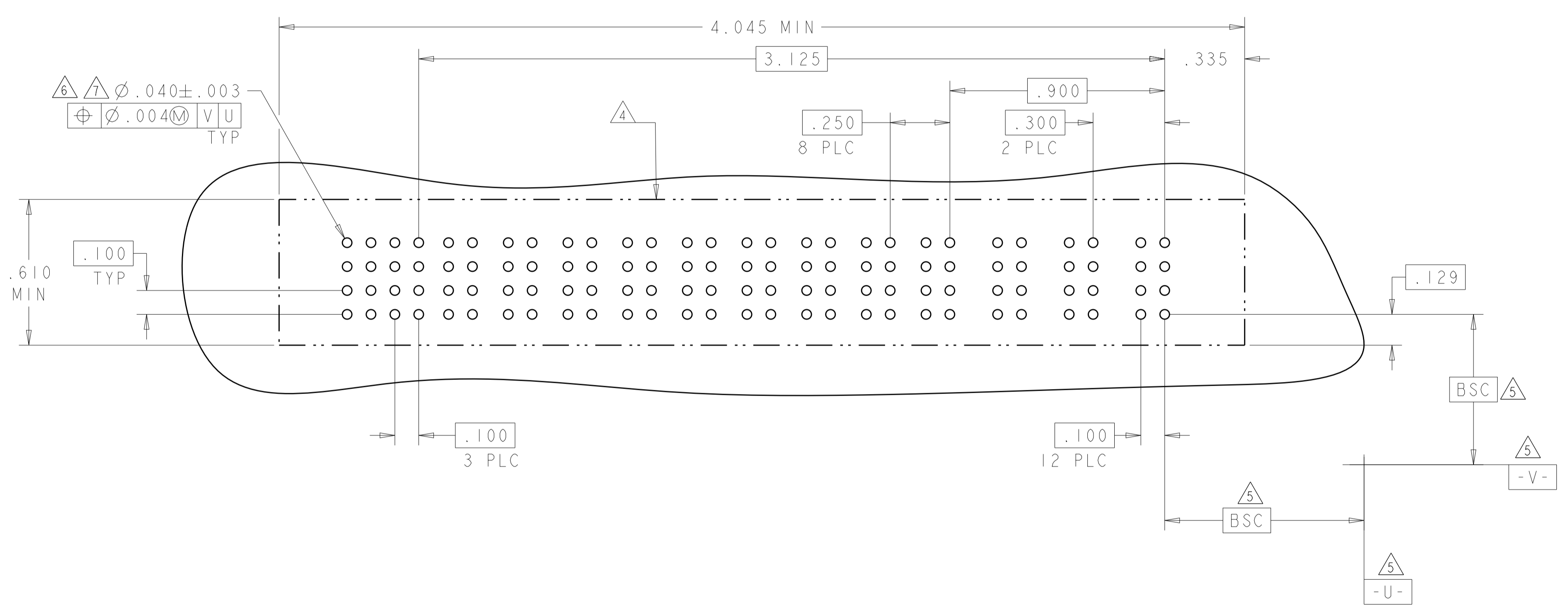
PART NUMBER	ROWS	POWER		
		P3	P2	P1
6450852-6	D			
	C	VM	VM	VM
	B			
	A	HD		HD

3HDP

.250
8 PLC

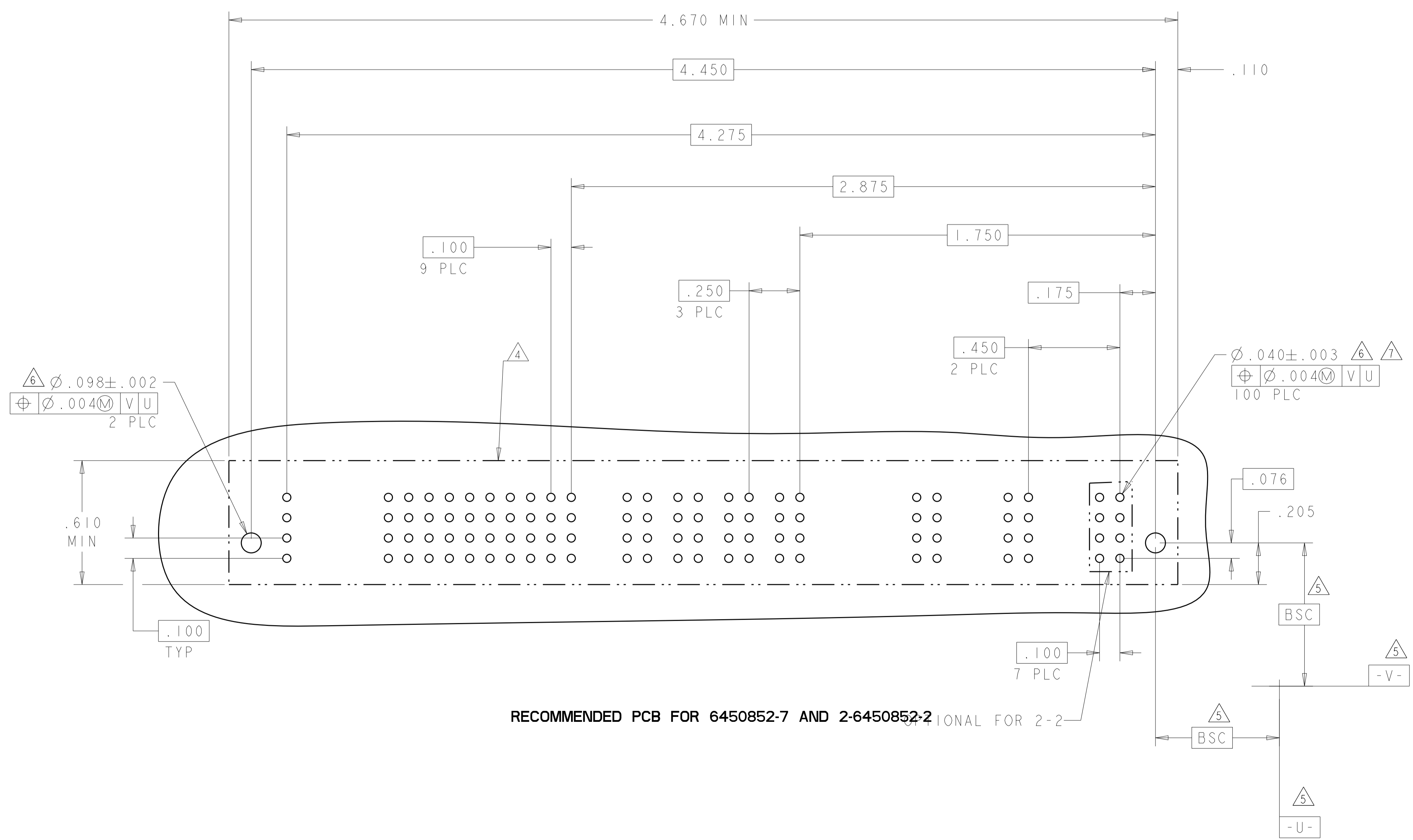
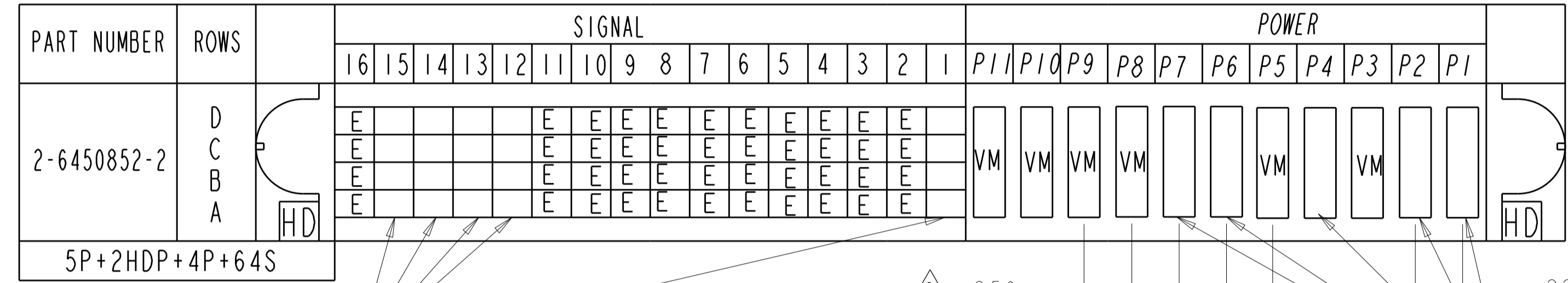
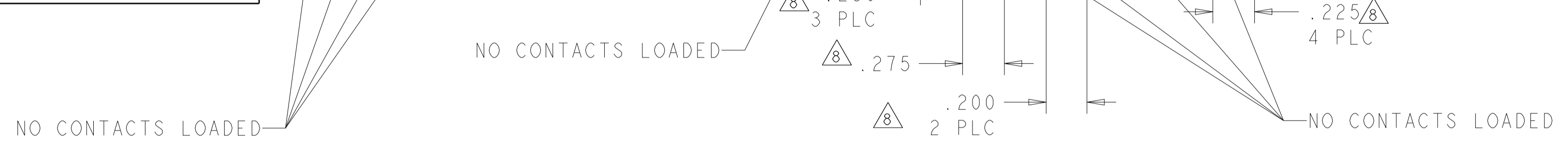
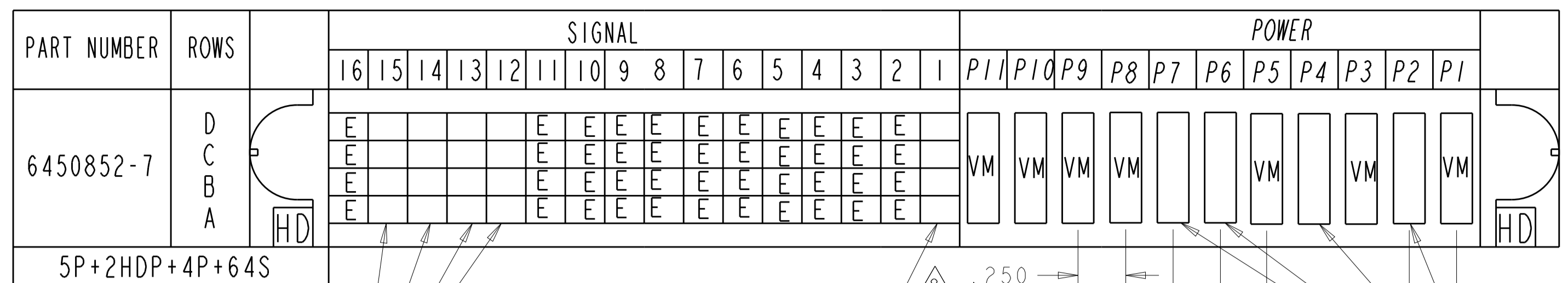
.300
3 PLC

(B1)



THIS DRAWING IS A CONTROLLED DOCUMENT.		DMN H. LIU 28MAY2008	NAME VERTICAL RECEPTACLE ASSEMBLY, WITH GUIDES MULTI-BEAM XLE	
DIMENSIONS: INCHES		CHK S. ZHAO 28MAY2008	RESTRICTED TO	
TOLERANCES UNLESS OTHERWISE SPECIFIED:		APVD S. YAO	SCALE 4:1 SHEET 7 OF 10 REV C4	
0 PLC ±.01		PRODUCT SPEC 108-1973		
2 PLC ±.01		APPLICATION SPEC		
3 PLC ±.005		SIZE 114-13038		
4 PLC ±.0020		WEIGHT		
ANGLES ±.2°		CUSTOMER DRAWING		
MATERIAL		FINISH		

LOC	DIST	REV	DATE	BY	APPV
		1			



RECOMMENDED PCB FOR 6450852-7 AND 2-6450852-2

THIS DRAWING IS A CONTROLLED DOCUMENT.		OWN: H.LIU 28MAY2008	TE Connectivity
DIMENSIONS: INCHES		CHK: S.ZHAO 28MAY2008	
TOLERANCES UNLESS OTHERWISE SPECIFIED:		APVD: S.YAO	NAME: VERTICAL RECEPTACLE ASSEMBLY, WITH GUIDES, MULTI-BEAM XLE
0 PLC ±	1 PLC ±.01	PRODUCT SPEC	SIZE: CAGE CODE DRAWING NO
2 PLC ±.01	3 PLC ±.005	108-1973	RESTRICTED TO
4 PLC ±.0020	ANGLES ±.2°	APPLICATION SPEC	A100779C=6450852
MATERIAL	FINISH	114-13038	SCALE: 4:1 SHEET 8 OF 10 REV: C4
CUSTOMER DRAWING		WEIGHT	

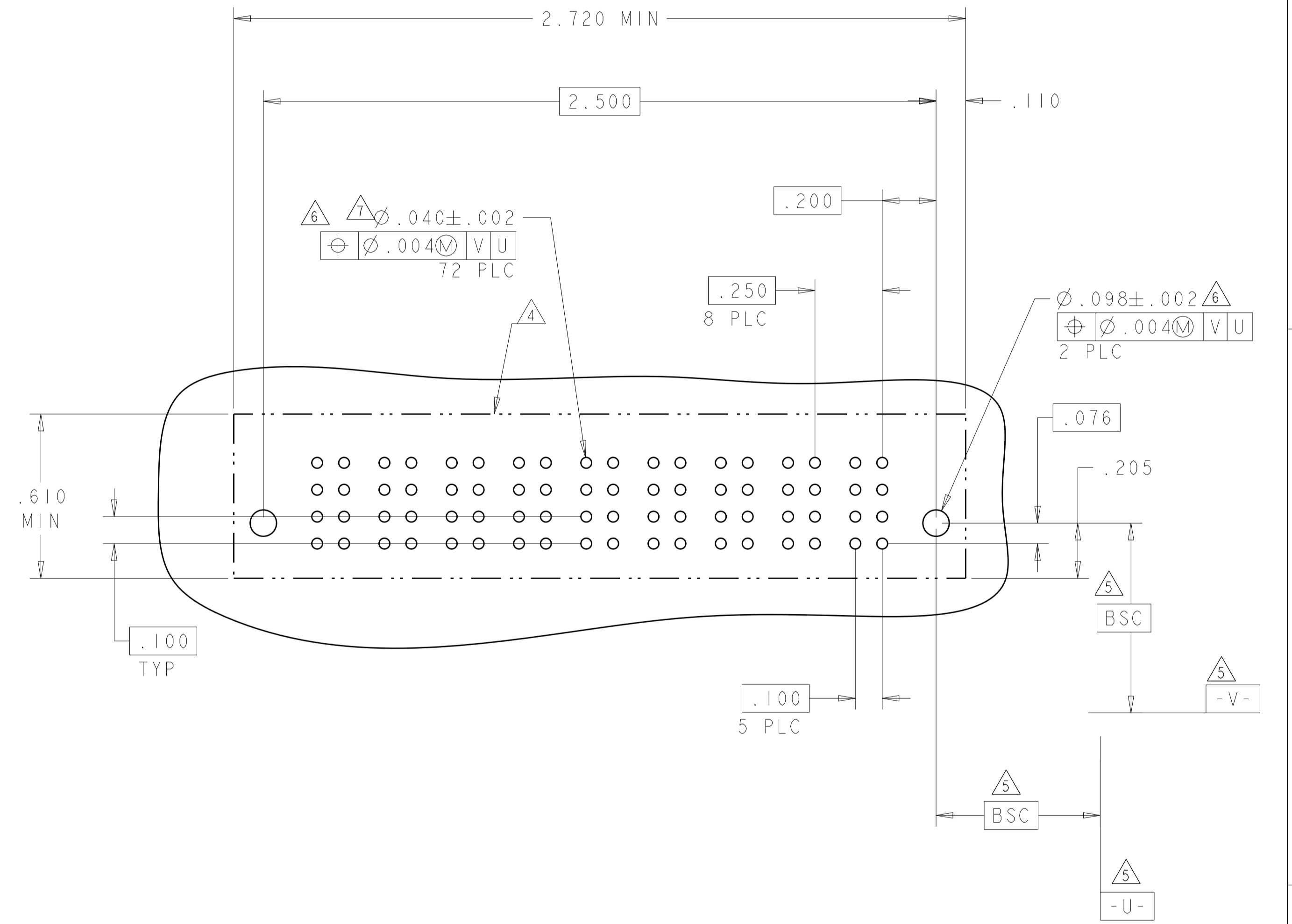
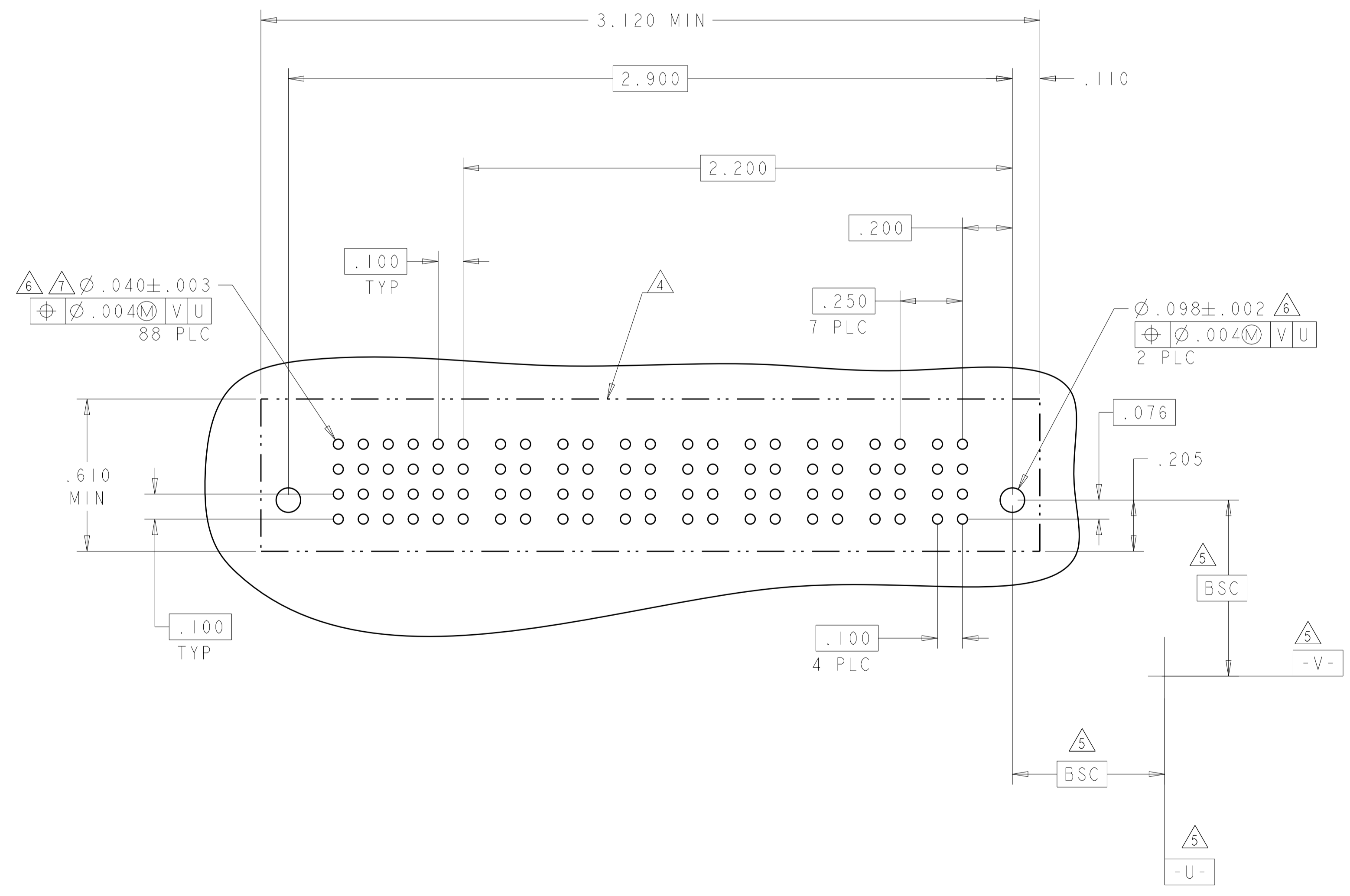
LOC	DIST	REVISIONS			
P	LTN	DESCRIPTION	DATE	DMN	APVD
-	-	SEE SHEET 1	-	-	-

PART NUMBER	ROWS	SIGNAL					POWER					HD			
		6	5	4	3	2	1	P8	P7	P6	P5		P4	P3	P2
6450852-8	D	E	E	E	E	E									
	C	E	E	E	E	E	VM	VM	VM	VM	VM	VM	VM	VA	
	B	E	E	E	E	E									
	A	HD	E	E	E	E									HD

8P + 24S

PART NUMBER	ROWS	POWER									HD		
		P9	P8	P7	P6	P5	P4	P3	P2	P1			
6450852-9	D												
	C	VA	VM	VM	VM	VM	VM	VM	VM	VM			
	B												
	A	HD											HD

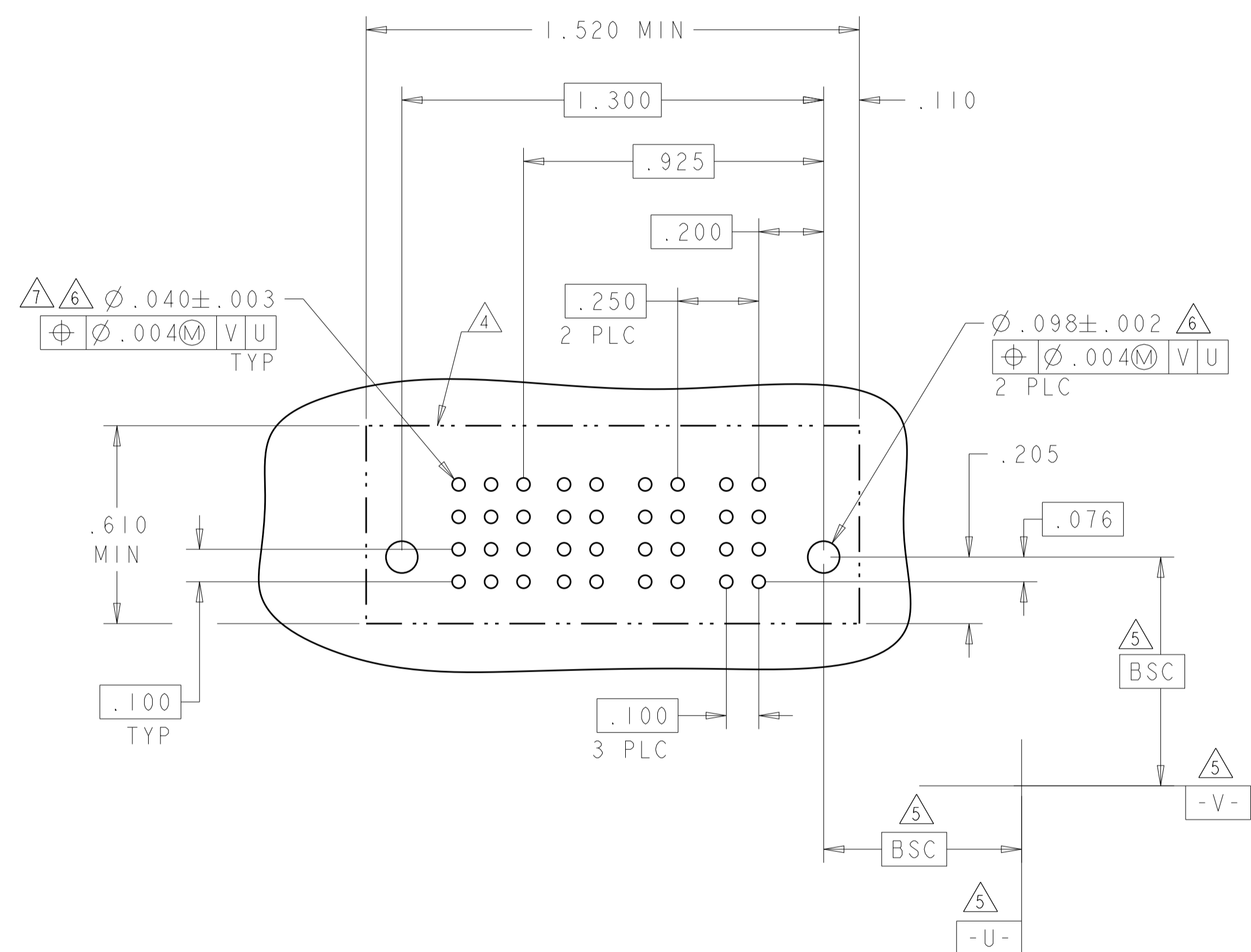
9P



THIS DRAWING IS A CONTROLLED DOCUMENT.		DMN: H.LIU 28MAY2008	 TE Connectivity
DIMENSIONS: INCHES		CHK: S.ZHAO 28MAY2008	
TOLERANCES UNLESS OTHERWISE SPECIFIED:		APVD: S.YAO	NAME: VERTICAL RECEPTACLE ASSEMBLY, WITH GUIDES MULTI-BEAM XLE
0 PLC ±	1 PLC ±.01	PRODUCT SPEC: 108-1973	SIZE: A100779
2 PLC ±.01	3 PLC ±.005	APPLICATION SPEC: 114-13038	CAGE CODE: C=6450852
4 PLC ±.0020	ANGLES ±.2°	WEIGHT: -	RESTRICTED TO: -
MATERIAL: -	FINISH: -	CUSTOMER DRAWING	SCALE: 4:1
		SHEET: 9	OF 10
		REV: C4	

LOC	DIST	REVISIONS			
P	LTN	DESCRIPTION	DATE	DWN	APVD
-	-	SEE SHEET 1	-	-	-

PART NUMBER	ROWS	SIGNAL			POWER		
		3	2	1	P3	P2	P1
1-6450852-2	D	E	E	E	VM	VM	VM
	C	E	E	E			
	B	E	E	E			
	A	E	E	E			
3P + 12S		HD					HD



THIS DRAWING IS A CONTROLLED DOCUMENT.		DWN H. LIU 28MAY2008	TE Connectivity
DIMENSIONS: INCHES		CHK S. ZHAO 28MAY2008	
		TOLERANCES UNLESS OTHERWISE SPECIFIED:	NAME S. YAO
0 PLC ± 1 PLC ± 2 PLC ±.01 3 PLC ±.005 4 PLC ±.0020 ANGLES ±.7° FINISH		APVD S. YAO	PRODUCT SPEC 108-1973
MATERIAL		APPLICATION SPEC 114-13038	SIZE A100779
-		WEIGHT	DRAWING NO C=6450852
-		CUSTOMER DRAWING	RESTRICTED TO
-		SCALE 4:1	SHEET 10 OF 10
-		REV C4	