



# LED Petroleum Canopy Light

## Yale Series



### Yale Series

Beyond LED's Yale Series Canopy Luminaire offers exceptional performance, efficiency and a unique design. Features such as high lumens per watt, outstanding efficacy, and field serviceability, make it an ideal commercial canopy solution. The contractor-friendly Yale canopy luminaire includes fasteners and a locking collar, making installation easy, secure and water-tight. It can be surface mounted easily from below the canopy deck and also has the ability to be pendant mounted.

- Up to 130 Lumens per watt
- Rugged low-profile die-cast aluminum housing
- Direct surface or recessed mount
- IP65 Waterproof Rated
- Universal 100-277Vac

# LED Petroleum Canopy Light

## Yale Series

### Yale Series

SKU #	Model #	Watts	Lumens	CCT	IP	Input Voltage	Certifications
151243	BLT-CP-150W-231X-1601	150W	18750Lm	5700K	IP65	100-277Vac	UL & DLC

### Specifications

CRI	>80
Input Power	150W
Viewing Angle	110°
Input Voltage	100-277Vac 50/60Hz
Driver model	Beyond Brand Driver
PF	>0.9
Waterproof Rating	WET (IP65)

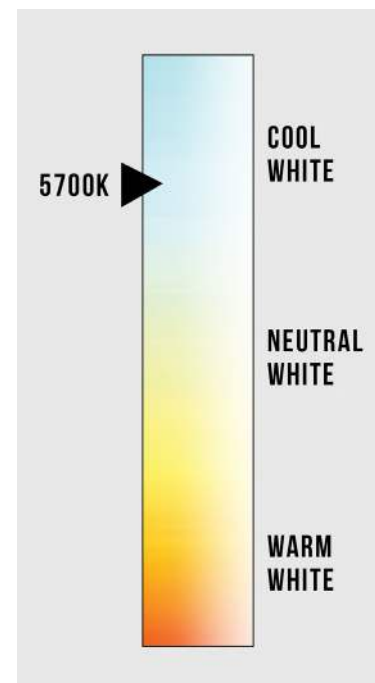
### Materials

LED Type	2835 (0.5W)
LED QTY	420 PCS
Housing	Aluminum
Housing color	White
Cover	Beaded lens

### Others

Operating Temperature	-4°F to 113°F
Operating Humidity	20%-90% RH
Storage Temperature	-22°F to 176°F
Storage Humidity	10%-95%
Application	Outdoor / Indoor
Safety Certification	UL、cUL、DLC
Warranty Time	5 Years

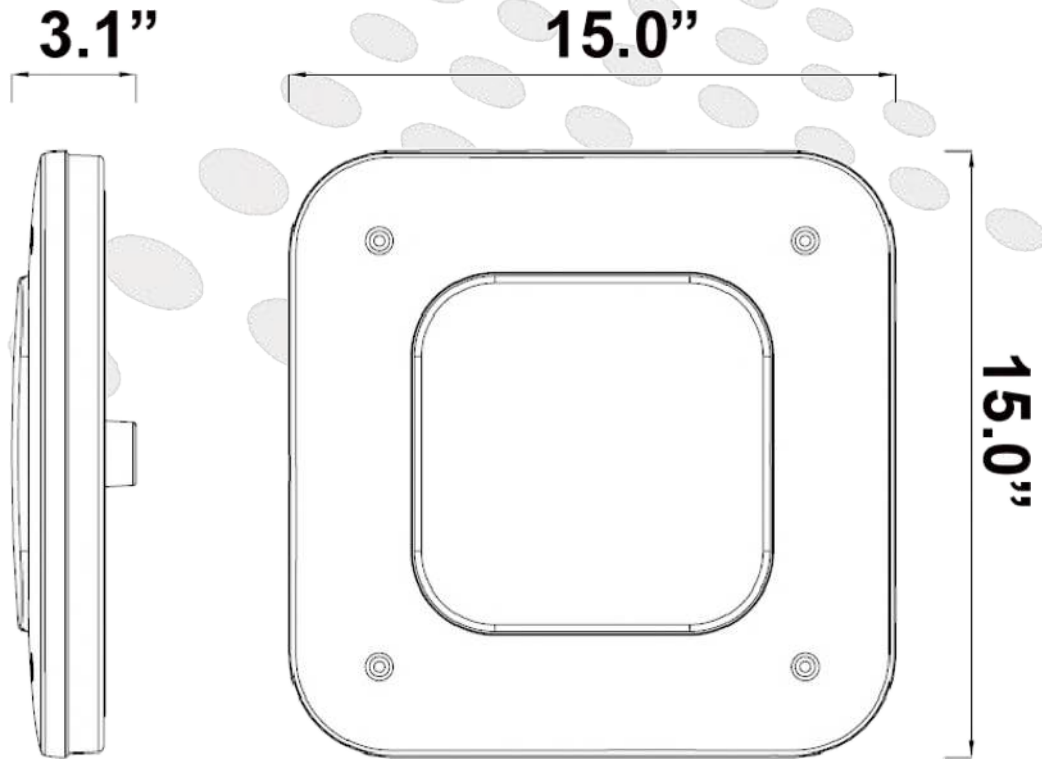
### CORRELATED COLOR TEMPERATURE (CCT)



# LED Petroleum Canopy Light

## Yale Series

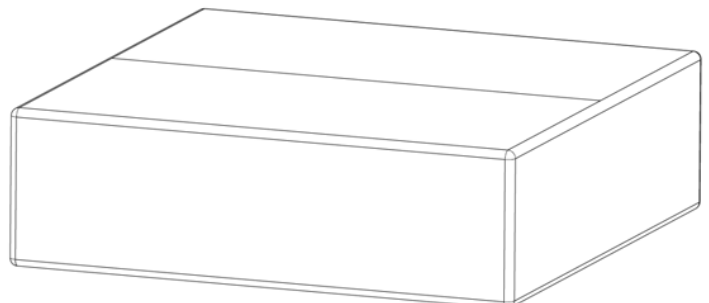
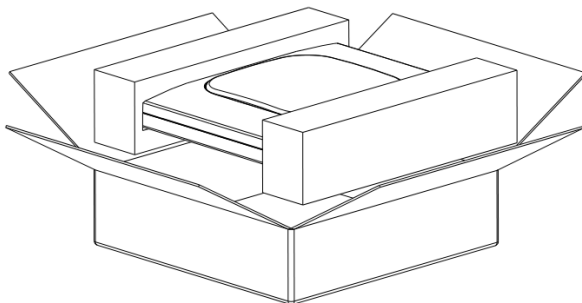
### Dimensions



### Packaging

Tolerance of Carton Size:  $\pm 0.590551$  in, Tolerance of Weight:  $\pm 10\%$ .

Model	Pcs/Box	Dimensions	Weight	Pallet Quantity	Pallet Weight	Pallet Dimensions
150W	1	17" X 17" X 5"	14 Lb			



# LED Petroleum Canopy Light Yale Series

## Distribution Diagram

### Luminaire Property

Luminaire Manufacturer:  
Voltage: 120 V  
Power: 145.50 W

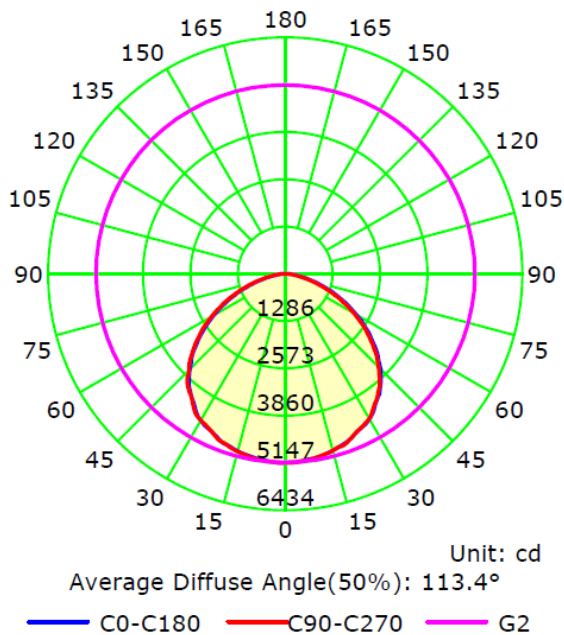
Current: 1.2210 A  
Power Factor: 0.993

### Photometric Results

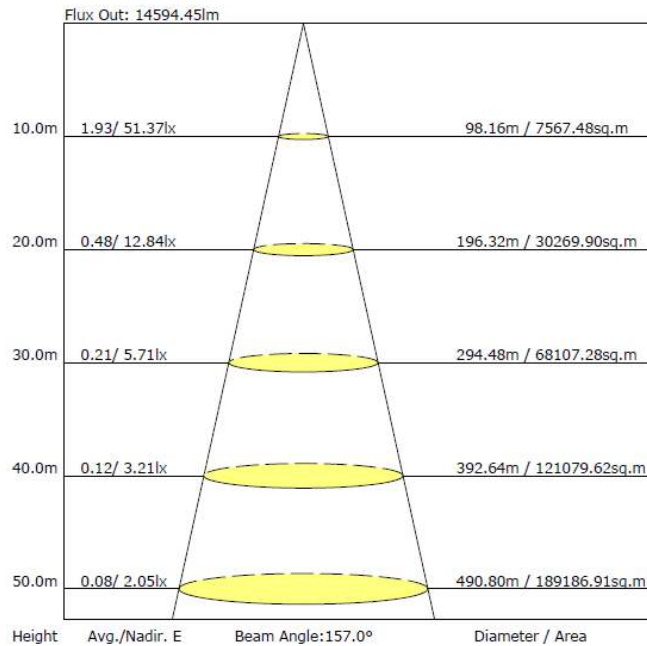
IES Classification: Type II  
Total Rated Lamp Lumens: 14866.5 lm  
Efficiency: 100%  
Upward Ratio: 0%  
Central Intensity: 5137.18 cd  
Pos of Max. Intensity: H202.5 V2

Longitudinal Classification: Very Short  
Measurement Flux: 14866.5 lm  
Downward Ratio: 100%  
Luminaire Efficacy Rating (LER): 102.18  
Max. Intensity: 5147.31 cd

Luminous Intensity Distribution Curve



The Average Illuminance Effective Figure



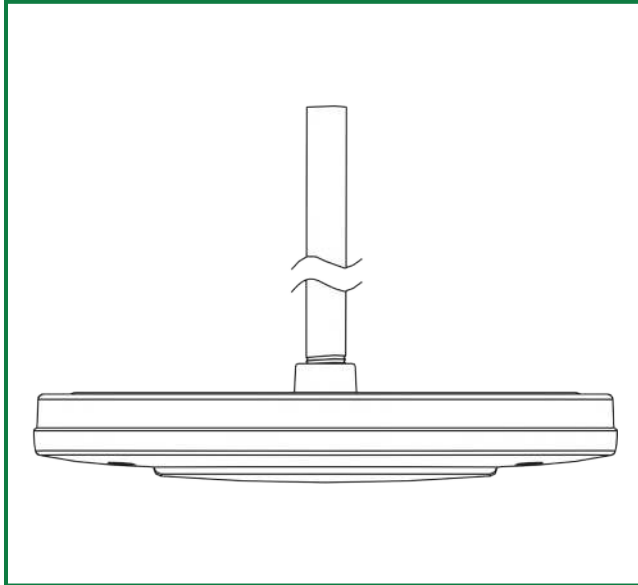


# LED Petroleum Canopy Light

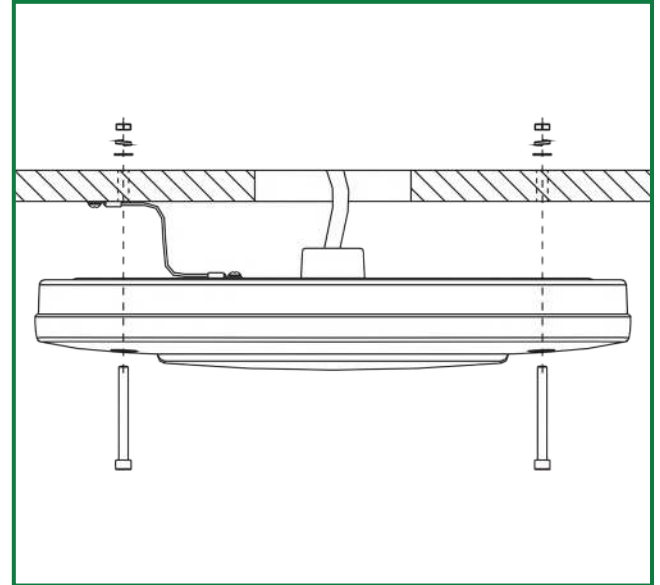
## Yale Series

### Mounting Options

#### Pendant Mount Installation Method



#### Surface Mount Installation Method



### User Notice

- Please turn off the power before installing or changing assembly parts.
- The input voltage and lamps should be matching. Before connecting the power line, please make sure the wiring section is insulated.
- Only professionals should install and disassemble the lamps.

### Trouble Shooting

- Flickering light - Turn off the power and turn on again in 3 minutes. If the same phenomena occurs, then call Support.
- Not working - Please check all power connections.

# LED Petroleum Canopy Light Yale Series

## Installation

### Cautions:

1. Can not use the electric generator to test the LED lamp.
2. Please abide by related country, regional and local law and regulations when install this fixture.
3. Please turn off the power before installation or maintenance.
4. Proper earth grounding is required to ensure safety.

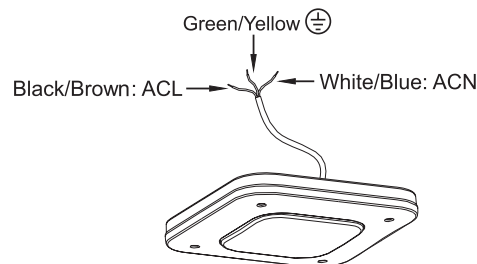
### Notice:

1. To avoid possibility of electrical shock or fire, the installation personnel must have professional electric knowledge.
2. Please wear gloves to avoid injury before installation.
3. If any smoke or spark of the wire happened, please turn off the power immediately and notify relevant personnel.

### Attention:

1. Please check if there is any damage during shipping. If so, please contact manufacturer timely.
2. Please read the installation instruction carefully to check whether all the accessories are complete. After confirmation, then install the fixture according to installation steps.

### Wiring Diagram:



### Installation Method I :

1. Connect the wire of fixture to the main supply in 3/4 NPT Stem according to local electrical connection mode, make sure good protection on the wire joint (Figure 1).

2. Screw the fixture to 3/4 NPT Stem. (Figure 2).

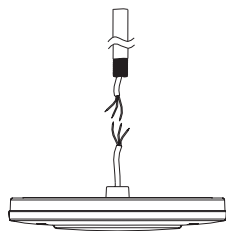


Figure 1

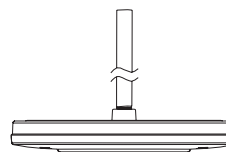


Figure 2



# LED Petroleum Canopy Light Yale Series

## Installation

### Installation Method II :

1. Fix one side of the accessory safety rope on the back of the fixture (Figure 3).

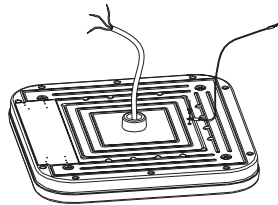


Figure 3

2. Use electric drill to set fixed holes through the ceiling (Figure 4).

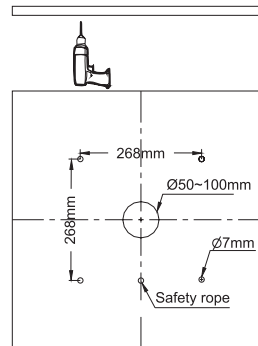


Figure 4

3. Fix another side of safety rope on the ceiling, then connect the wire of fixture to main supply according to local electrical connection mode, make sure good protection on the wire joint, after that, fix the fixture on the ceiling with accessory screws (Figure 5).

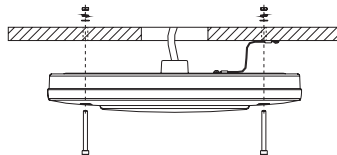


Figure 5

### Warning / Avertissement

#### MIN 75°C SUPPLY CONDUCTOR

**THIS PRODUCT MUST BE INSTALLED IN ACCORDANCE WITH THE APPLICABLE INSTALLATION CODE BY A PERSON FAMILIAR WITH THE CONSTRUCTION AND OPERATION OF THE PRODUCT AND THE HAZARDS INVOLVED.**

#### LES FILS D'ALIMENTATION 75°C MIN

**CE PRODUIT DOIT ÊTRE INSTALLÉ SELON LE CODE D'INSTALLATION PERTINENT, PAR UNE PERSONNE QUI CONNAÎT BIEN LE PRODUIT ET SON FONCTIONNEMENT AINSI QUE LES RISQUES INHÉRENTS.**

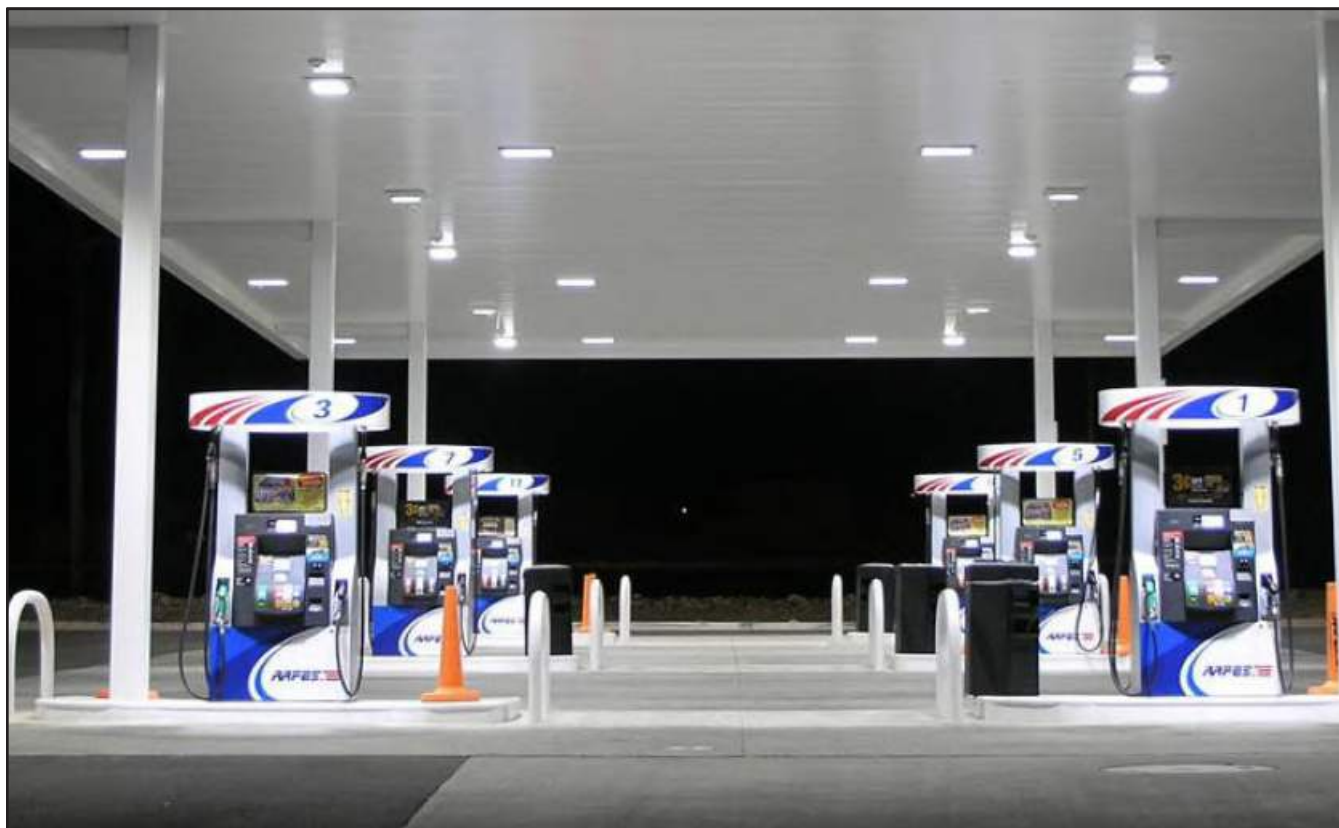


# LED Petroleum Canopy Light

## Yale Series



### Application



(866) 786-1117 • [www.BeyondLEDTechnology.com](http://www.BeyondLEDTechnology.com)

Due to continuous product improvement, information in this document is subject to change.