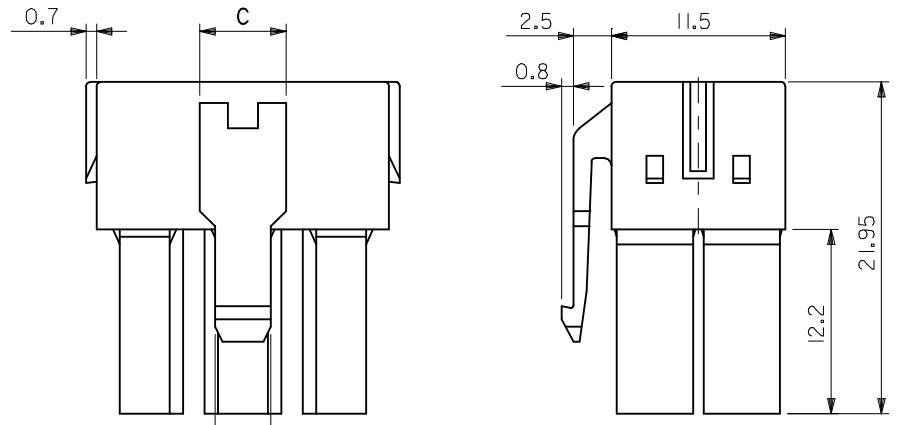


ロック形状図  
LOCK CONFIGURATION

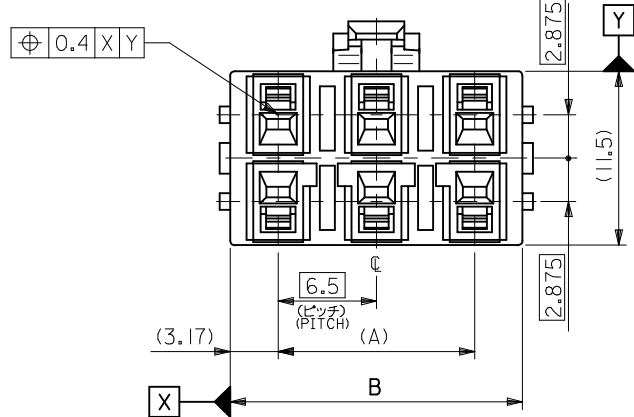
ターミナル及びリテーナー装着状態図  
TERMINAL & RETAINER ASSEMBLY DRAWING



注記  
NOTES

- 適合ターミナル : 50597, 50598  
APPLICABLE TERMINAL : 50597 , 50598
- 適合リテーナー : 51143  
APPLICABLE RETAINER : 51143
- 嵌合相手 : 53721,53728 シリーズ  
MATE WITH : 53721,53728 SERIES
- MATERIAL  
ポリエステル(PBT), UL94V-0  
POLYESTER(PBT), UL94V-0
- ELV AND RoHS COMPLIANT.
- オーダー番号 ORDER NO.  
51142-\*\*\*\*  
極数 色  
CIRCUIT SIZE COLOR  
7.ナチュラル色は51142-\*\*00です。  
NATURAL COLOR IS 51142-\*\*00.

HSG COLOR	NO.
BLACK	11
RED	12
YELLOW	13
BLUE	14
GRAY	15
GREEN	16
ORANGE	18
PINK	19
BROWN	21
PURPLE	22
MINT	23



5.7	19.34	13	51142-06**	6
3.7	12.84	6.5	51142-04**	4
5.7	6.34	—	51142-02**	2
C	B	A	ENG. NO.	極数 CKT.

REVISED EC NO: J2014-0511 DRWN:MIKEDA01 2013/09/19 CHKD:KASAKAWA 2013/10/07 APPR:NUKITA 2013/10/08	DESCRIPTION	GENERAL TOLERANCES (UNLESS SPECIFIED)		DIMENSION STYLE MM ONLY		SCALE ---	DESIGN UNITS METRIC	THIRD ANGLE PROJECTION	
		10 UNDER	±0.2	DRAWN BY TKON	DATE 2010/07/27	TITLE 6.5 WIRE TO BOARD CONN. RECEPTACLE HOUSING	molex		
B	REV	10 OVER 30 UNDER	±0.25	CHECKED BY KASAKAWA	DATE 2010/07/27	DOCUMENT NO. SD-51142-001		SHEET NO. 1 OF 1	
		30 OVER	±0.3	APPROVED BY NUKITA	DATE 2010/08/30	SEE TABLE		INCORPORATED AND SHOULD NOT BE USED WITHOUT WRITTEN PERMISSION	
		ANGULAR	±1 °	MATERIAL NO.					
		DRAFT WHERE APPLICABLE MUST REMAIN WITHIN DIMENSIONS		SIZE A3					