

Type ACBM-PX Auto Reset Circuit Breaker Automotive Type I Maxi Automotive Blade Type



www.optifuse.com (619) 593-5050

Applications:

Battery charges, trucks, busses, RV's, trolling motors, etc.

Specifications:

Circuit Breaker Type – Maxi Auto Blade Type, Auto Reset (Type I)

Voltage: 14 VDC

Amperage: 6A, 8A, 10A, 15A, 20A, 25A, 30A, 35A, 40A, 50A

Body: Grey Thermoplastic UL-Rated 94-V0

Terminals: Brass tin-plated

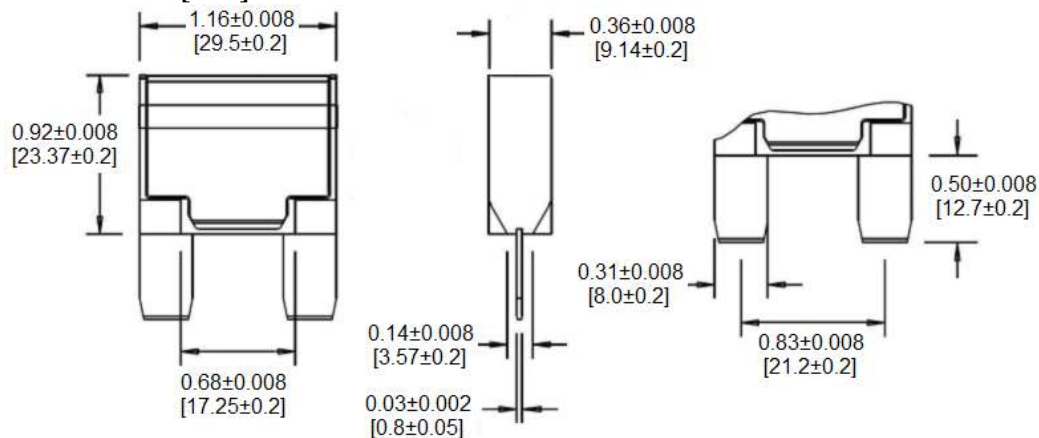
Operating Temperature: -40° F (-29° C) ~ 185° F (85° C)

Storage Temperature: -40° F (-29° C) ~ 260° F (125° C)

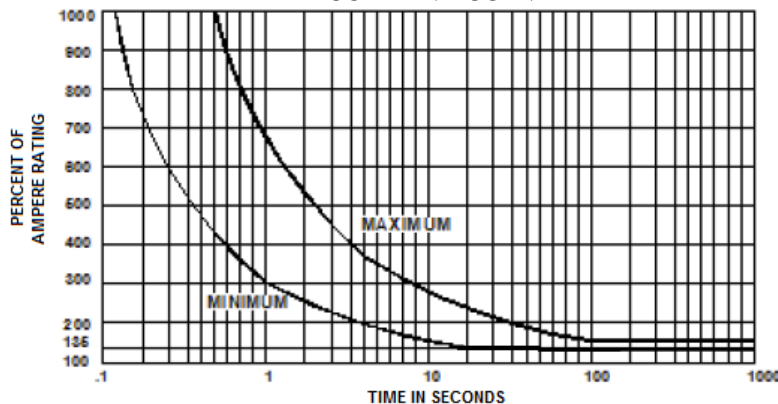
Agency Standards and Listings:

Conforms to SAE J553 (Type II) standard

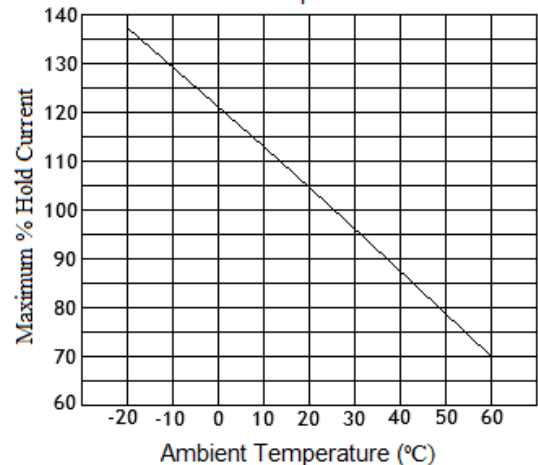
Mechanical Dimensions: Inches [mm]:



TIME CURRENT CURVE



Ambient Compensation Chart



Warning:



- Operation beyond the specified maximum ratings or improper use may result in damage and possible electrical arcing and/or flame.
- Device are intended for occasional overcurrent protection. Application for repeated overcurrent condition and/or prolonged trip are not anticipated.
- Avoid contact of device with chemical solvent. Prolonged contact will damage the device performance.