

# PRODUCT DATA DRAWING

| REVISION HISTORY |             |       |          |
|------------------|-------------|-------|----------|
| REV              | DESCRIPTION | DATE  | APPROVED |
| -                | NRN 46269   | 09/21 | SEE PDM  |
|                  |             |       |          |

## MATERIAL:

**BODIES & CONTACTS:** BERYLLIUM COPPER PER ASTM B196, ALLOY No. UNS C17300, TD04.

**SLEEVE:** STAINLESS STEEL PER AMS 5640, ALLOY UNS S30300, TYPE 1 OR ASTM A582 TYPE 303, CONDITION A.

**INSULATORS:** PTFE PER ASTM D1710, TYPE I, GRADE 1, CLASS B.

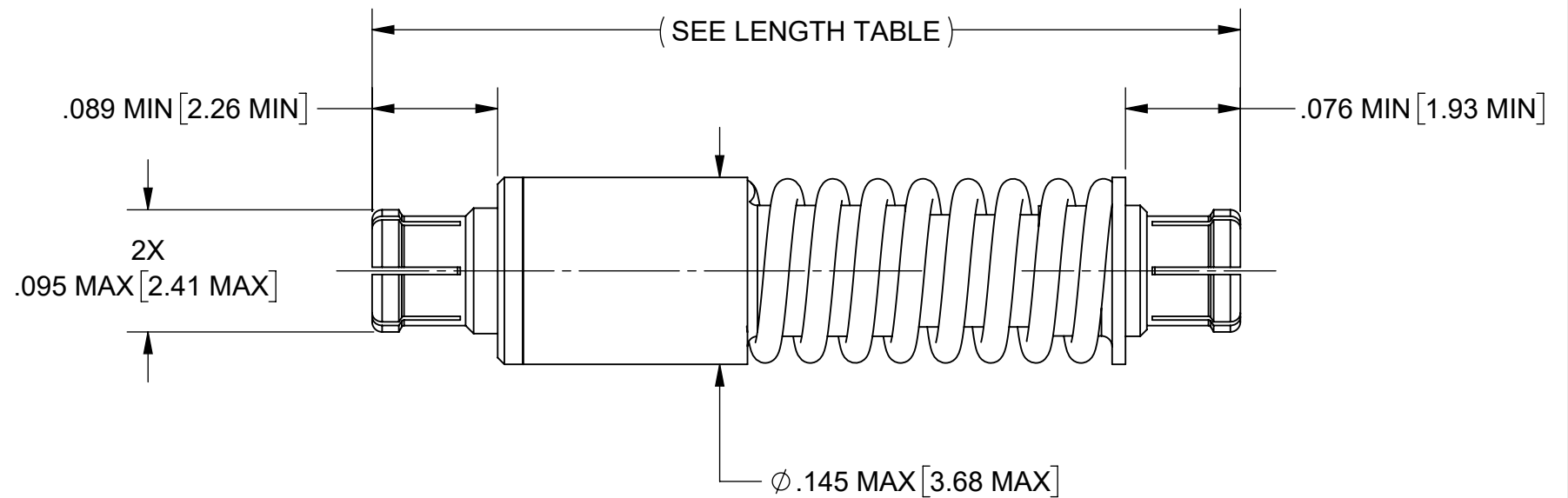
**SPRING:** STAINLESS STEEL PER ASTM A313, TYPE 631 OR AMS 5678.

**FINISH:**

**BODIES & CONTACT:** GOLD PER ASTM B488, TYPE II, CODE C, CLASS 1.27, OVER NICKEL PER AMS-QQ-N-290, CLASS 1, .00005" MIN.

**SLEEVE:** PASSIVATED PER AMS 2700

**SPRING:** PASSIVATED



## ELECTRICAL SPECIFICATIONS:

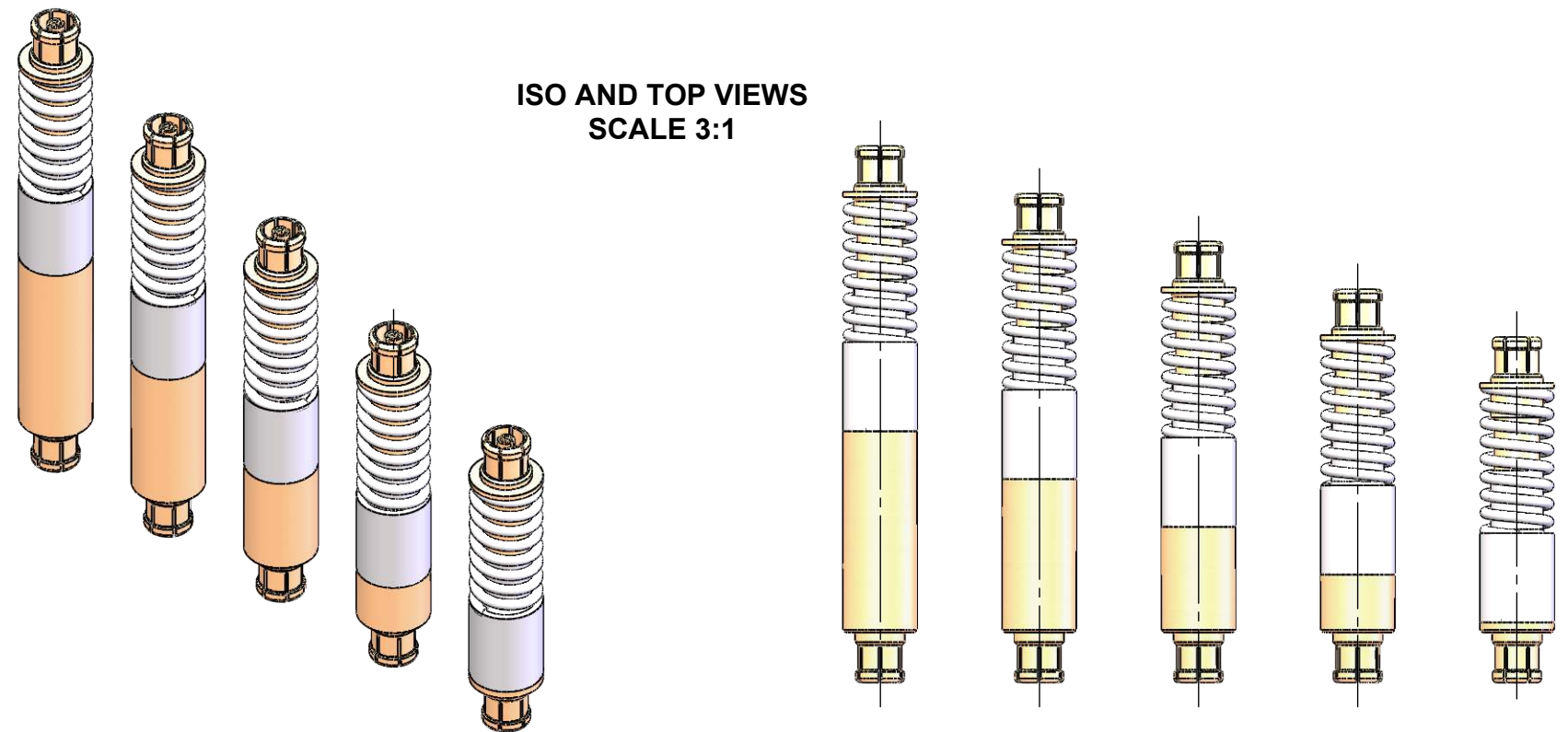
**IMPEDANCE:** 50 OHMS  
**FREQ. RANGE:** DC TO 40.0 GHz.

## MECHANICAL SPECIFICATIONS:

**ENGAGE FORCE:**  
 FULL DETENT: 9 LB MAX.  
 SMOOTH BORE: 2.5 LB MAX.

**DISENGAGE FORCE:**  
 FULL DETENT: 2 LB MIN.  
 SMOOTH BORE: .5 LB MIN.

ISO AND TOP VIEWS  
SCALE 3:1



| SV PART NUMBER | LENGTH     |         |              |
|----------------|------------|---------|--------------|
|                | COMPRESSED | NOMINAL | UNCOMPRESSED |
| 1132-4113      | .550"      | .600"   | .650"        |
| 1132-4114      | .640"      | .690"   | .740"        |
| 1132-4115      | .730"      | .780"   | .830"        |
| 1132-4116      | .820"      | .870"   | .920"        |
| 1132-4117      | .910"      | .960"   | 1.010"       |

|                            |   |   |   |
|----------------------------|---|---|---|
| <b>MATERIAL:</b> SEE NOTES | <b>DIMENSIONS ARE IN INCHES TOLERANCES:</b><br>FRACTIONAL: ±1/64 ANGULAR: X° ±1'0"<br>X°X' ±15'           | <b>UNLESS OTHERWISE SPECIFIED</b><br>1) ALL DIMENSIONS ARE IN INCHES (MILLIMETERS)<br>2) ALL DIMENSIONS ARE AFTER PLATING.<br>3) BREAK CORNERS & EDGES .005 R. MAX.<br>4) CHAM. 1ST & LAST THREADS.<br>5) SURFACE ROUGHNESS 63-MIL-STD-10.<br>6) DIA: 'S ON COMMON CENTERS TO BE CONCENTRIC WITHIN .005 T.I.R.<br>7) REMOVE ALL BURRS | <br>Amphenol<br>www.svmicrowave.com<br><b>TITLE:</b><br>SMPM FEMALE TO FEMALE<br>COMPRESSIBLE ADAPTER |
| <b>FINISH:</b> SEE NOTES   | DECIMAL: X ±.030<br>.XX ±.010<br>.XXX ±.005<br>INTERPRET DIMENSIONS AND TOLERANCES PER ASME Y14.5M - 1994 | DRAWN: SRM 09/22/21<br>CHECKED: SEE PDM<br>APPROVED: SEE PDM  |   |
| <b>SURFACE AREA:</b> N/A   | <b>THIRD ANGLE PROJECTION</b>   | SCALE: 8:1  | <b>SIZE DWG. NO.</b><br>B 1132-4113-4117<br>SHEET 1 OF 1  |