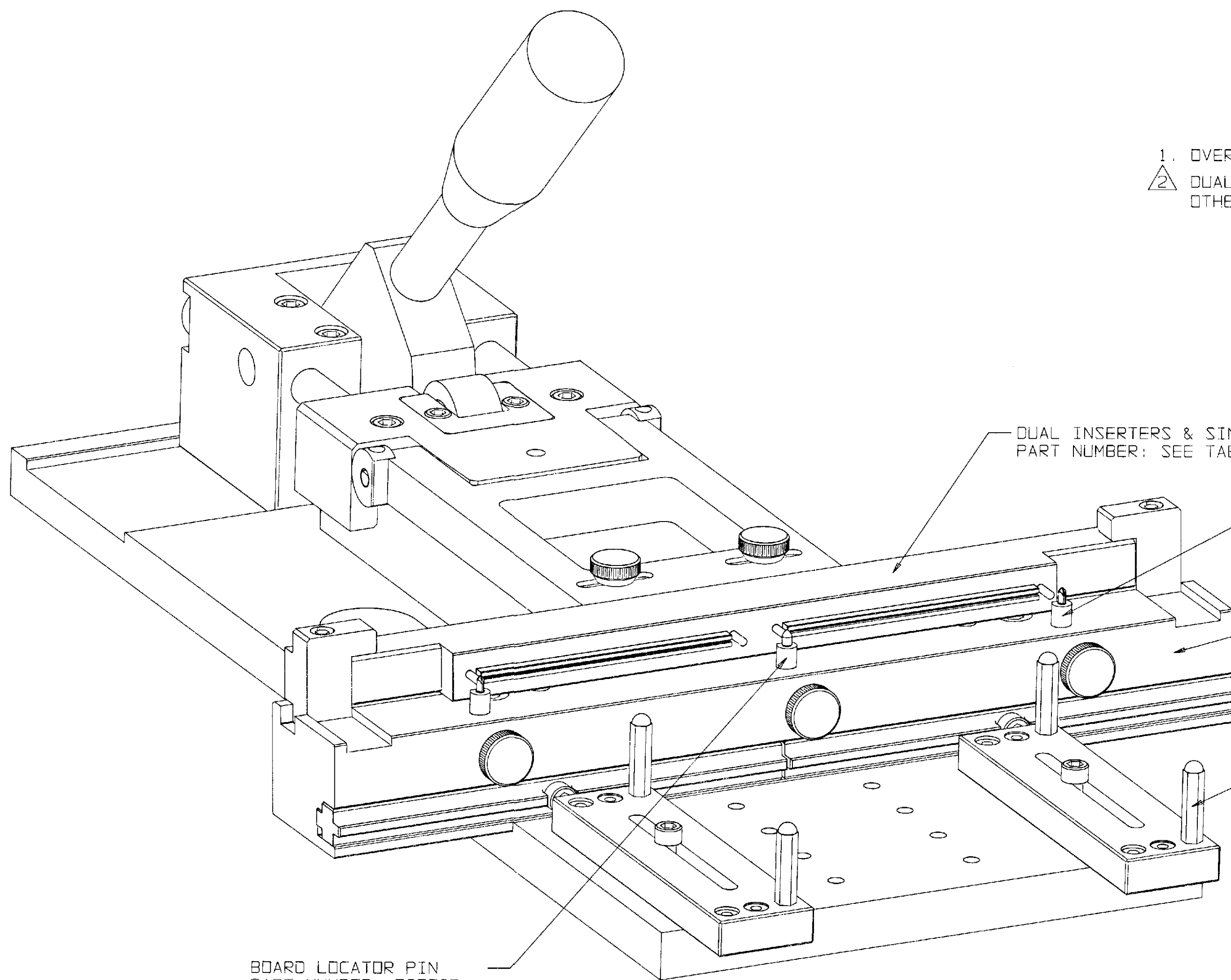


THIS DRAWING IS UNPUBLISHED. RELEASED FOR PUBLICATION .19  
 © COPYRIGHT 19 BY AMP INCORPORATED. ALL RIGHTS RESERVED.

LOC	DIST	REVISIONS					
		P	LTR	DESCRIPTION	DATE	DWN	APVD
AD	47			RELEASED	6-13-97	JG	DM



- 1. OVERALL DIMENSIONS: L - 16.1, W - 9.2, H - 8.3.
- 2. DUAL INSERTER PART NUMBER 767586-3 ASSEMBLED, OTHER INSERTERS PACKAGED SEPERATELY.

DUAL INSERTERS & SINGLE INSERTER  
 PART NUMBER: SEE TABLE

BOARD LOCATOR PIN, DIAMOND HEAD  
 PART NUMBER: 767526-1  
 QUANTITY: 2

SUPPORT BLOCK

SUPPORT PILLAR  
 PART NUMBER: 767522-1  
 QUANTITY: 4

BOARD LOCATOR PIN  
 PART NUMBER: 767523-1  
 QUANTITY: 1

DESCRIPTION	PART NUMBER	PART NUMBER
SINGLE FOR 228 POS	767591-1	767590-1
DUAL FOR 228 POS, 3.606 CL	767586-4	
DUAL FOR 190 POS, 3.106 CL	767586-3	
INSERTERS 2		

THIS DRAWING IS A CONTROLLED DOCUMENT.		DWN J. GERACE 6-13-97	AMP Incorporated Harrisburg, PA 17105-3608											
DIMENSIONS: INCHES		CHK D. MCKNIGHT 6-13-97												
TOLERANCES UNLESS OTHERWISE SPECIFIED:		APVD A. MONK 6-13-97												
<table border="1"> <tr><td>0 PLC</td><td>±.005</td></tr> <tr><td>1 PLC</td><td>±.005</td></tr> <tr><td>2 PLC</td><td>±.005</td></tr> <tr><td>3 PLC</td><td>±.005</td></tr> <tr><td>4 PLC</td><td>±.005</td></tr> <tr><td>ANGLES</td><td>±.005</td></tr> </table>		0 PLC		±.005	1 PLC	±.005	2 PLC	±.005	3 PLC	±.005	4 PLC	±.005	ANGLES	±.005
0 PLC	±.005													
1 PLC	±.005													
2 PLC	±.005													
3 PLC	±.005													
4 PLC	±.005													
ANGLES	±.005													
MATERIAL	FINISH	WEIGHT	CUSTOM APPLICATION TOOL, RIGHT ANGLE CONNECTOR, MICTOR SIZE A2 CAGE CODE 00779 DRAWING NO. C-767590											
CUSTOMER DRAWING			SCALE - SHEET 1 OF 1 REV 0											