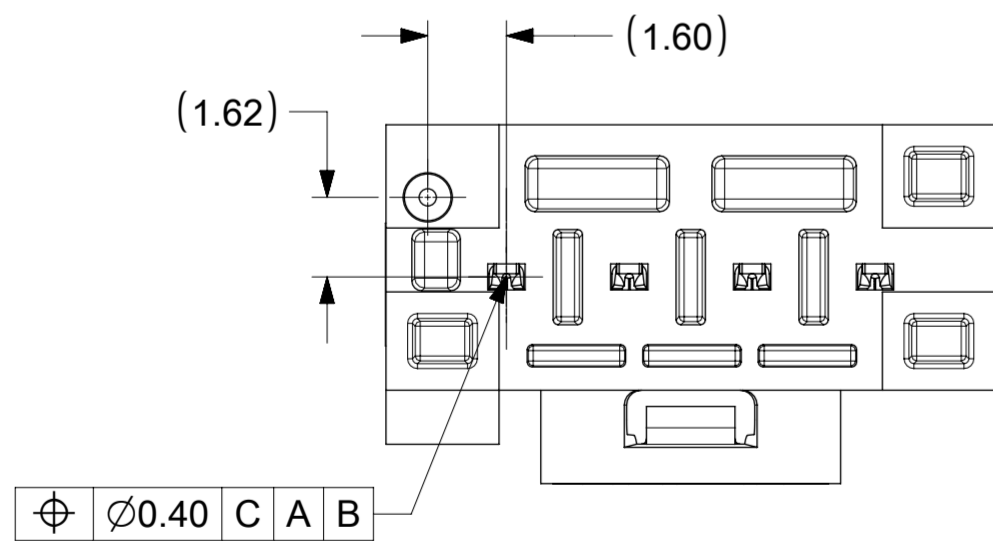
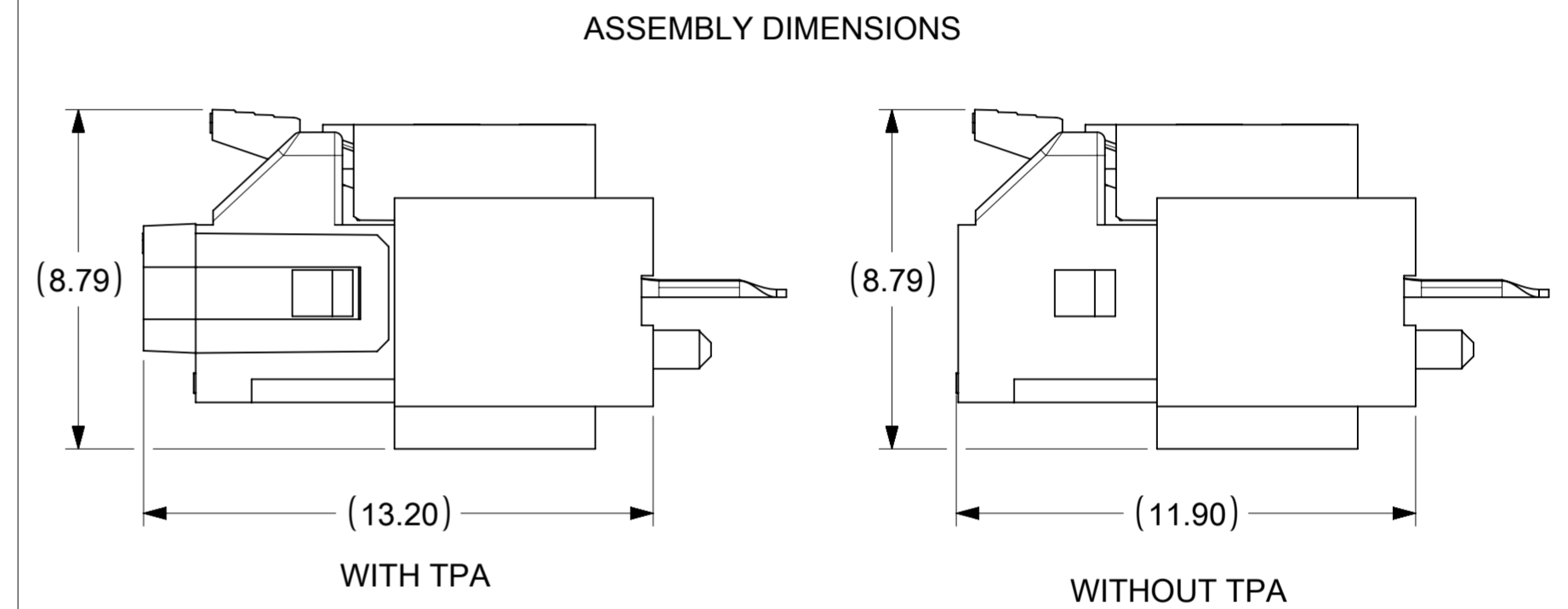
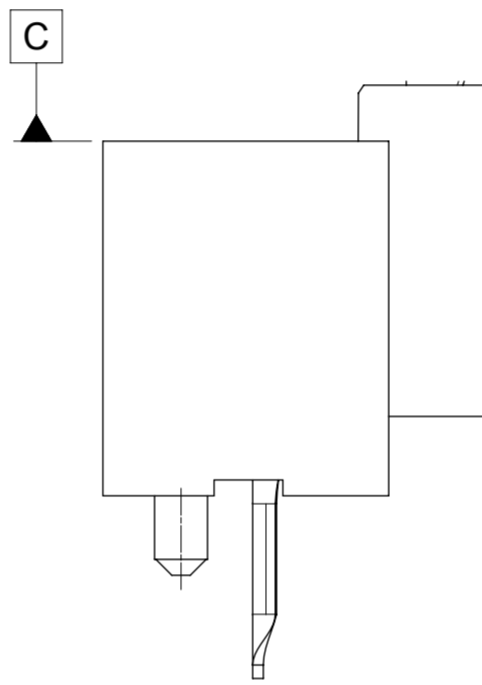
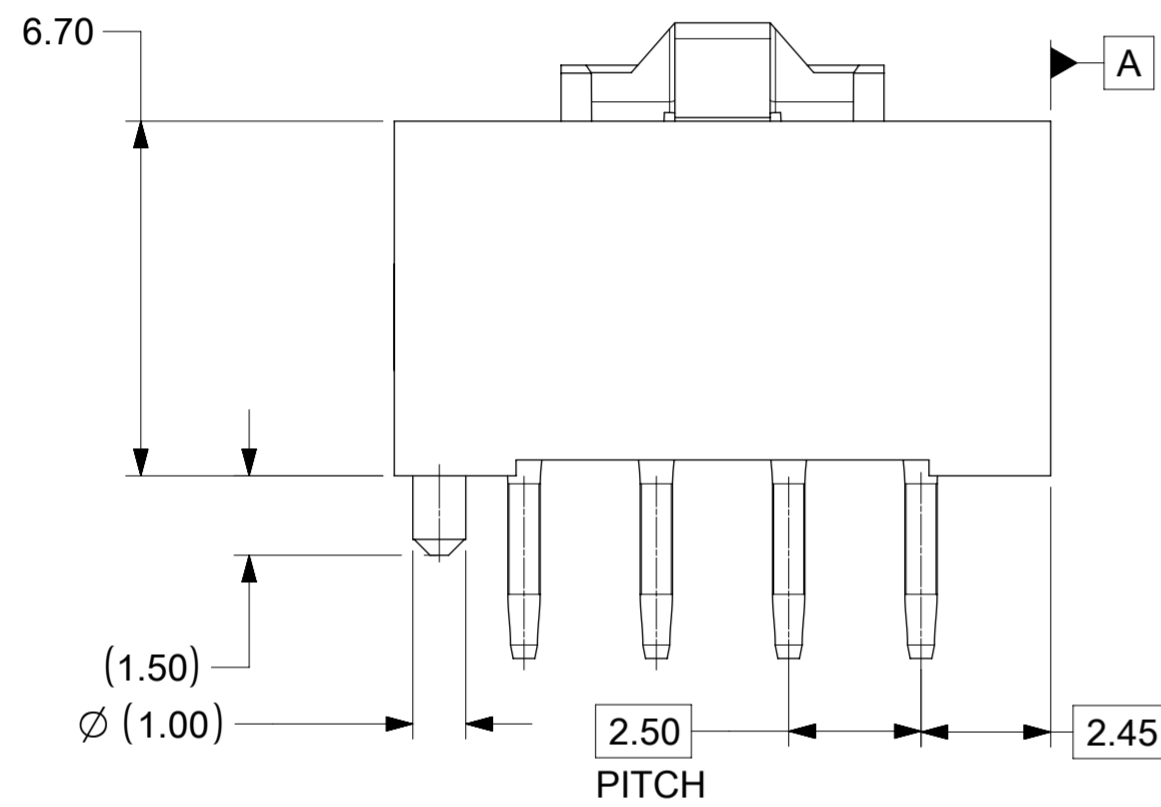


ISOMETRIC VIEW FOR  
4 CKT HEADER ASSEMBLY



- NOTES:  
 1. MATERIAL:  
 a. HOUSING: LIQUID CRYSTAL POLYMER, RATED UL 94V-0, COLOUR - BLACK  
 b. TERMINAL: BRASS ALLOY PLATING: TIN OVER NICKEL OVERALL.  
 2. PRODUCT SPECIFICATION: 2079020001-PS  
 3. PACKAGING SPECIFICATION: 2078430000-PK  
 4. COSMETIC SPECIFICATION: PS-45499-002 CLASS B

| CKT SIZE | HEADER ASSEMBLY P/N | DIM. B |
|----------|---------------------|--------|
| 2        | 2078430002          | 8.00   |
| 3        | 2078430003          | 9.90   |
| 4        | 2078430004          | 12.40  |
| 5        | 2078430005          | 14.90  |
| 6        | 2078430006          | 17.40  |
| 7        | 2078430007          | 19.90  |
| 8        | 2078430008          | 22.40  |

| SYMBOLS         | THIS DRAWING CONTAINS INFORMATION THAT IS PROPRIETARY TO MOLEX ELECTRONIC TECHNOLOGIES, LLC AND SHOULD NOT BE USED WITHOUT WRITTEN PERMISSION |                              |
|-----------------|---|------------------------------|
| DIMENSION UNITS | SCALE   | CURRENT REV DESC:            |
| ∇ = 0           | mm  | 6:1                          |
| ∇ = 0           | GENERAL TOLERANCES (UNLESS SPECIFIED)   |                              |
| ∇ = 0           | ANGULAR TOL   | ± °                          |
| ∇ = 0           | 4 PLACES  | ±                            |
| ∇ = 0           | 3 PLACES  | ±                            |
| ∇ = 0           | 2 PLACES  | ± 0.25                       |
| ∇ = 0           | 1 PLACE   | ± 0.3                        |
| ∇ = 0           | 0 PLACES  | ±                            |
| ■ = 0           | DRAFT WHERE APPLICABLE MUST REMAIN WITHIN DIMENSIONS  | THIRD ANGLE PROJECTION       |
| ∇ = 0           |   | DRAWING SERIES               |
|                 |   | A2-SIZE 207843               |
|                 |   | EC NO: 706742                |
|                 |   | DRWN: SHRUTJ 2022/04/20      |
|                 |   | CHK'D: SHRUTJ 2022/05/13     |
|                 |   | APPR: ISHWARG 2022/05/13     |
|                 |   | INITIAL REVISION:            |
|                 |   | DRWN: SUDAYGUNAGI 2018/06/19 |
|                 |   | APPR: ISHWARG 2019/04/16     |
|                 |   | DOCUMENT NUMBER              |
|                 |   | 2078430004-SD                |
|                 |   | DOC TYPE                     |
|                 |   | PSD                          |
|                 |   | DOC PART                     |
|                 |   | 000                          |
|                 |   | REVISION                     |
|                 |   | A5                           |
|                 |   | MATERIAL NUMBER              |
|                 |   | CUSTOMER                     |
|                 |   | SHEET NUMBER                 |
|                 |   | 1 OF 2                       |

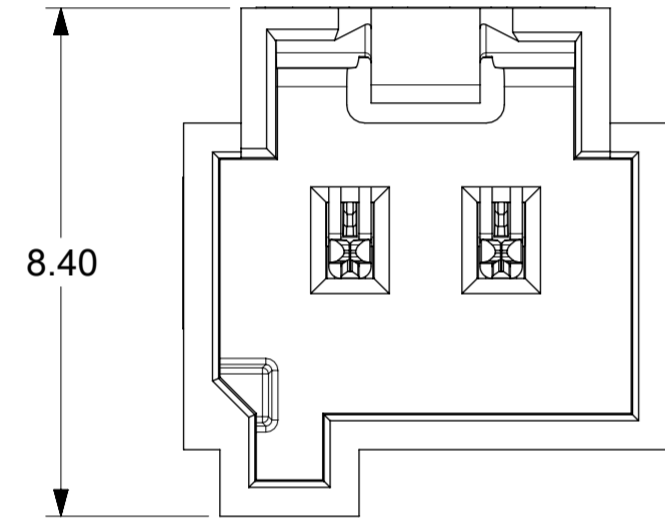
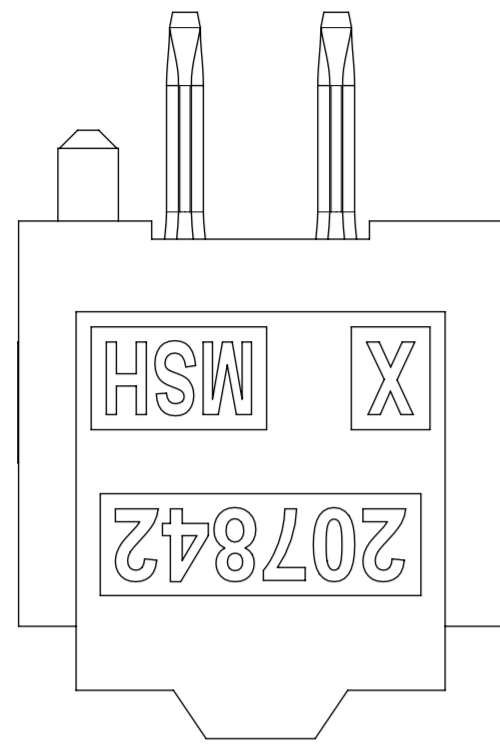
**molex**

HEADER ASSEMBLY FOR KK PLUS 250

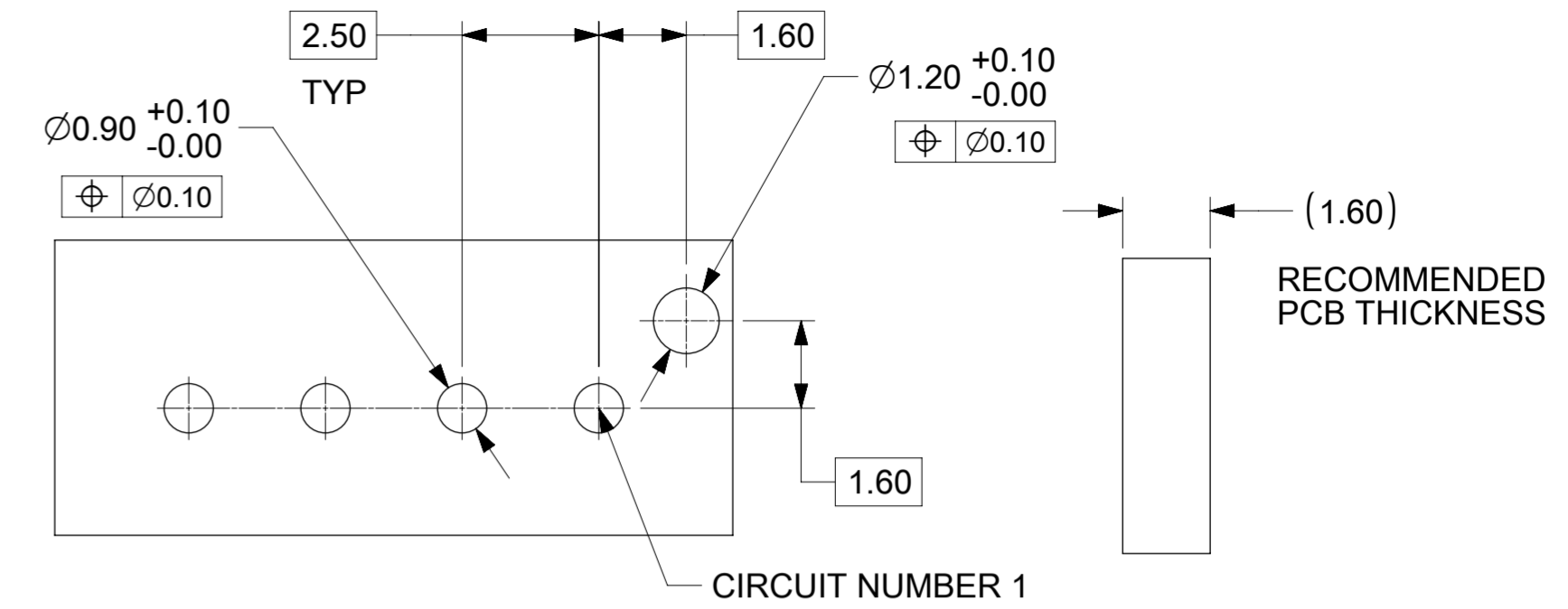
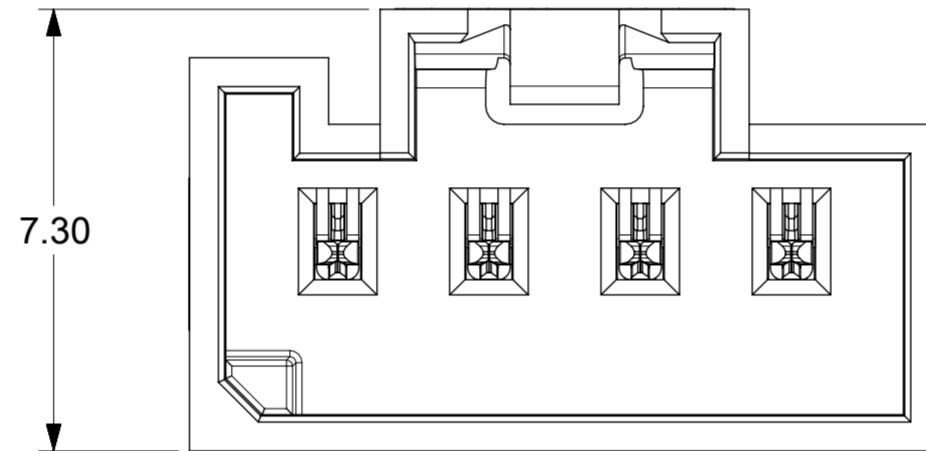
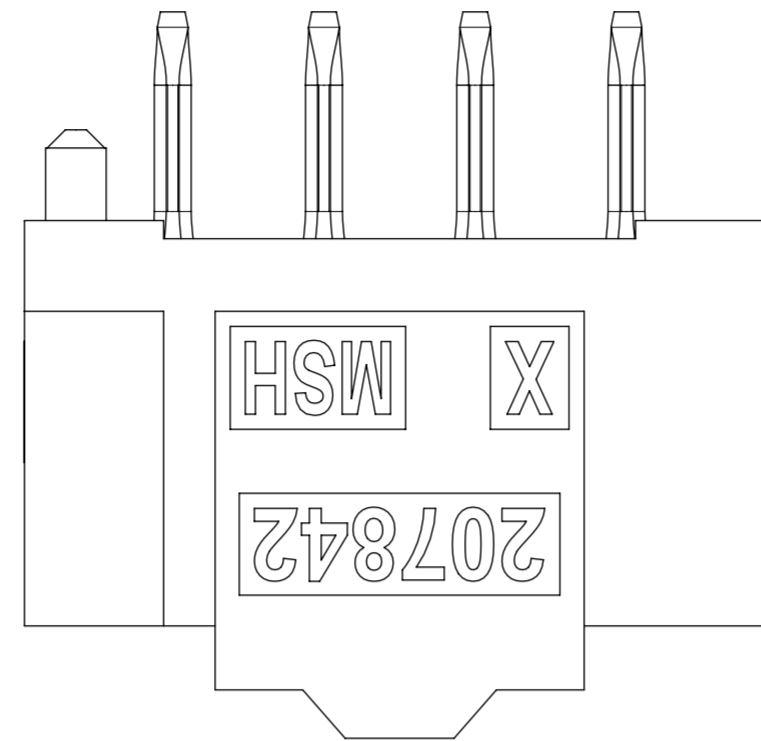
PRODUCT CUSTOMER DRAWING

POLARIZATION

2 & 3CKT

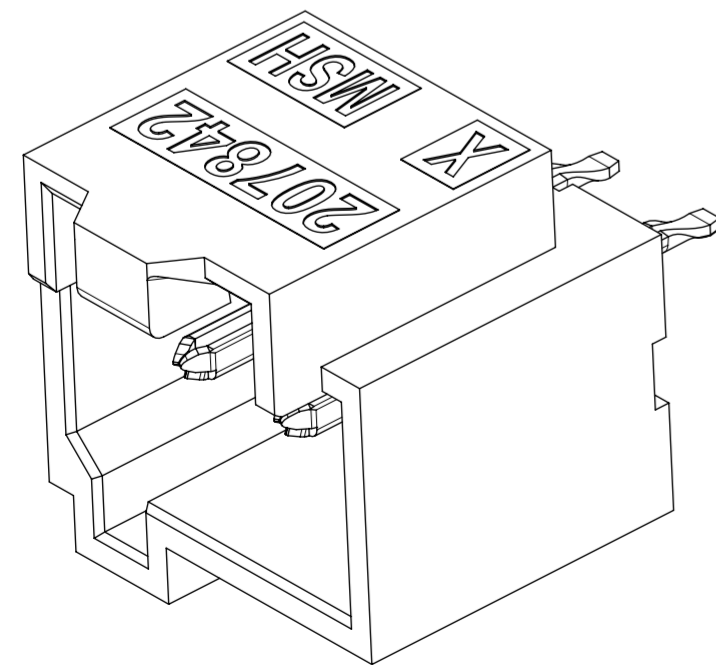


4 CKT TO 10 CKT

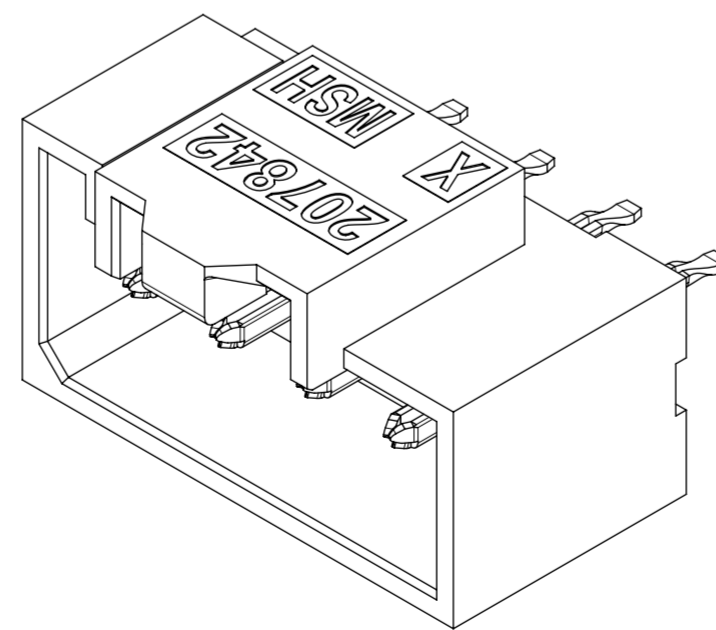


PCB LAYOUT FOR 4CKT HEADER ASSEMBLY  
PCB LAYOUT VIEWED FROM THE MATING SIDE

ISOMETRIC VIEW FOR 2 & 3CKT



ISOMETRIC VIEW FOR 4 CKT TO 10 CKT



|                                       |  |          |  |  |  |                        |  |         |  |   |  |                 |  |          |  |          |  |               |  |     |  |     |  |    |  |
|---------------------------------------|--|----------|--|--|--|------------------------|--|---------|--|---|--|-----------------|--|----------|--|----------|--|---------------|--|-----|--|-----|--|----|--|
| SYMBOLS                               |  |          |  |  |  |                        |  |         |  | THIS DRAWING CONTAINS INFORMATION THAT IS PROPRIETARY TO MOLEX ELECTRONIC TECHNOLOGIES, LLC AND SHOULD NOT BE USED WITHOUT WRITTEN PERMISSION |  |                 |  |          |  |          |  |               |  |     |  |     |  |    |  |
| DIMENSION UNITS                       |  | SCALE    |  | CURRENT REV DESC:                                    |  |                        |  |         |  |   |  |                 |  |          |  |          |  |               |  |     |  |     |  |    |  |
| mm                                    |  | 8:1      |  | EC NO: 706742  |  |                        |  |         |  |   |  |                 |  |          |  |          |  |               |  |     |  |     |  |    |  |
| GENERAL TOLERANCES (UNLESS SPECIFIED) |  |          |  | DRWN: SHRUTJ 2022/04/20                              |  |                        |  |         |  |   |  |                 |  |          |  |          |  |               |  |     |  |     |  |    |  |
| ANGULAR TOL ± °                       |  |          |  | CHK'D: SHRUTJ 2022/05/13                             |  |                        |  |         |  |   |  |                 |  |          |  |          |  |               |  |     |  |     |  |    |  |
| 4 PLACES ±                            |  |          |  | APPR: ISHWARG 2022/05/13                             |  |                        |  |         |  |   |  |                 |  |          |  |          |  |               |  |     |  |     |  |    |  |
| 3 PLACES ±                            |  |          |  | INITIAL REVISION:                                    |  |                        |  |         |  |   |  |                 |  |          |  |          |  |               |  |     |  |     |  |    |  |
| 2 PLACES ± 0.25                       |  |          |  | DRWN: SUDAYGUNAGI 2018/06/19                         |  |                        |  |         |  |   |  |                 |  |          |  |          |  |               |  |     |  |     |  |    |  |
| 1 PLACE ± 0.3                         |  |          |  | APPR: ISHWARG 2019/04/16                             |  |                        |  |         |  |   |  |                 |  |          |  |          |  |               |  |     |  |     |  |    |  |
| 0 PLACES ±                            |  |          |  | DRAFT WHERE APPLICABLE MUST REMAIN WITHIN DIMENSIONS |  | THIRD ANGLE PROJECTION |  | DRAWING |  | SERIES  |  | DOCUMENT NUMBER |  | DOC TYPE |  | DOC PART |  | REVISION      |  |     |  |     |  |    |  |
| A = 0                                 |  | E = 0    |  | S = 0  |  | V = 0                  |  | X = 0   |  | Y = 0   |  | Z = 0           |  | A2-SIZE  |  | 207843   |  | 2078430004-SD |  | PSD |  | 000 |  | A5 |  |
| MATERIAL NUMBER                       |  | CUSTOMER |  | SHEET NUMBER   |  |                        |  |         |  |   |  |                 |  |          |  |          |  |               |  |     |  |     |  |    |  |
|                                       |  |          |  | 2 OF 2   |  |                        |  |         |  |   |  |                 |  |          |  |          |  |               |  |     |  |     |  |    |  |

**molex**

HEADER ASSEMBLY FOR KK PLUS 250

PRODUCT CUSTOMER DRAWING