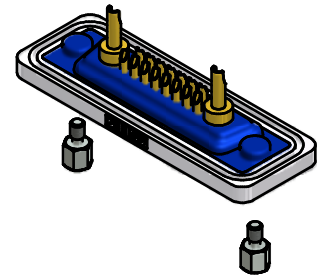
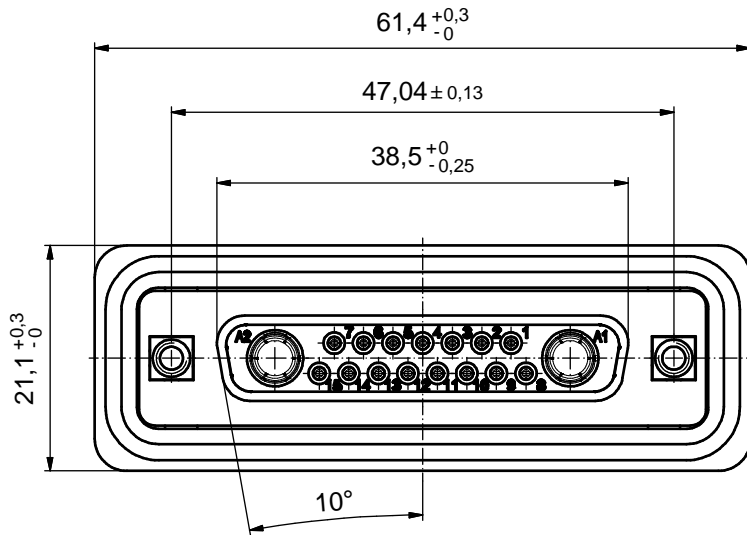
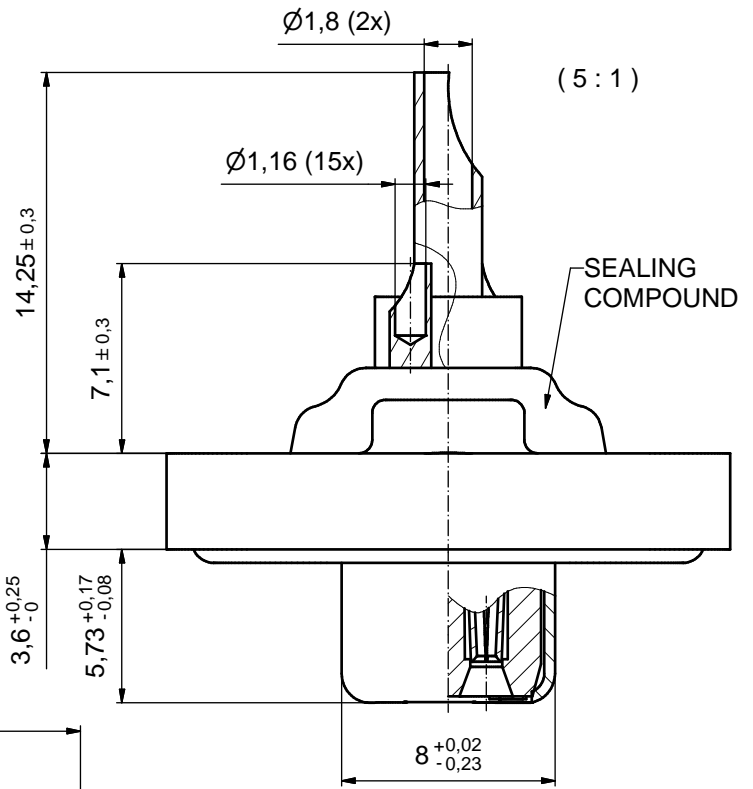
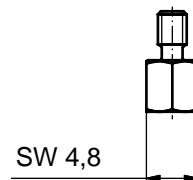
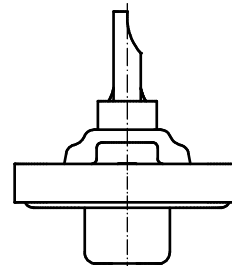
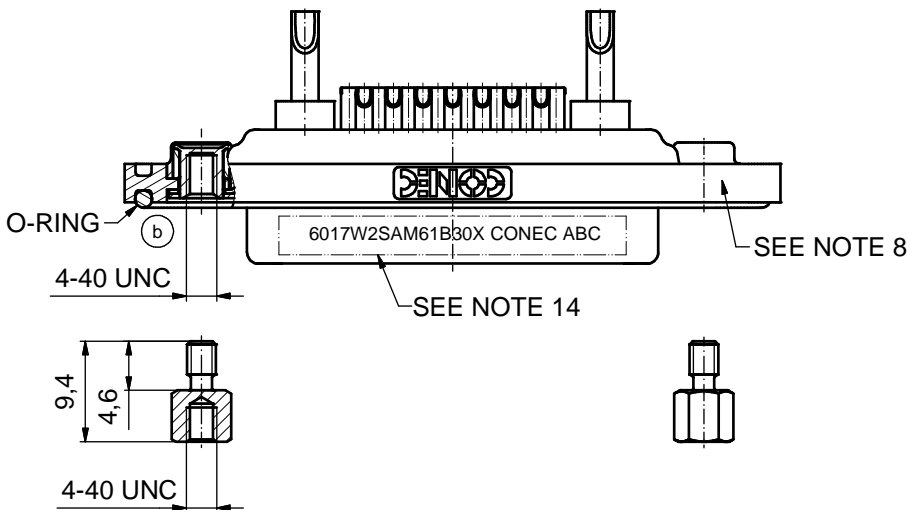


NOTES:

1. RECOMMENDED SOLDER INSTRUCTION SEE SHEET 2
2. METALSHELLS: COPPER ALLOY; min. 315µin TIN over 40-80µin NICKEL
3. INSULATORS: PBT GF UL 94 V-0, GREEN
4. SIGNAL CONTACTS: COPPER ALLOY
PLATING: GOLD FLASH over NICKEL
SOLDER CUP ACCEPTS CABLE AWG 20
5. HIGH POWER CONTACTS 10A: COPPER ALLOY
PLATING, MATING AREA: GOLD FLASH over NICKEL
PLATING, TERMINATION SIDE: GOLD FLASH over NICKEL
SOLDER CUP ACCEPTS CABLE AWG 16-20
6. THREADED INSERTS: COPPER ALLOY; min. 200µin TIN over 80µin NICKEL
7. COLLARS: COPPER ALLOY; min. 200µin TIN over 80µin NICKEL
8. FRAME: ZINC DIE CAST; NICKEL PLATED
9. O-RING: SILICON; BLUE
10. HEXLOCKING SCREWS: STAINLESS STEEL
11. SEALING COMPOUND: PUR; BLUE
12. RECOMMENDED PANEL CUT-OUT SEE SHEET 2
13. RECOMMENDED TORQUE FOR MOUNTING SCREW 35Ncm
(3.1 in.LB) / max.40Ncm (3.5 in.LB)
14. CONNECTOR IS PART MARKED: 6017W2SAM61B30X CONEC ABC



AT ALL TIMES WATER RESISTANT CONNECTORS NOT IN USE SHOULD BE COVERED WITH A CONEC WATER RESISTANT CAP OR WATER TIGHT HOOD.



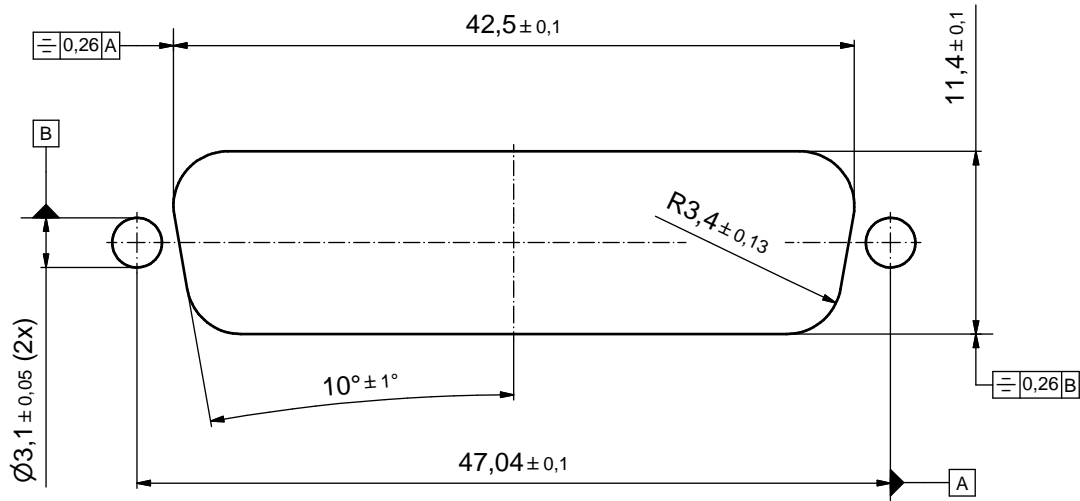
RoHS compliant

THIS DRAWING MAY NOT BE COPIED OR REPRODUCED IN ANY WAY, AND MAY NOT BE PASSED ON TO A THIRD PARTY WITHOUT WRITTEN PERMISSION. OWNERSHIP AND COPYRIGHT OF CONEC GmbH DO NOT ALTER CAD DRAWING BY HAND				tolerance		scale: 2:1 (5:1)
				date	name	material: SEE NOTE
				drawn	10.11.10 Henneboel	title: D-SUB COMBINATION FEMALE 17W2S SOLDER CUP with threaded insert and hexlocking screw
				appd.	10.11.10 Fischer	
				norm		
			d-old		dwg no:	
1 x b	Ä 5853	14.10.15	Unkriuer			DIN-A3
a	Original					15K1A746
rev.	description	date	name	part no: 6017W2SAM61B30X		sh: 1

Solder Instruction

1. Cable should be prepared for soldering. The cable/wires must be pretinned.
2. Insert cable/wire into solder cup.
3. Signal Contact
 - 3.1 Operate the soldering iron at 350°C, 50 Watt max. and use a pencil tip.
 - 3.2. Apply some solder to the solder tip of the soldering iron.
 - 3.3. Put tip to wire in solder cup.
 - 3.4. After 1 second bring in solder.
 - 3.5. Heat for 3 seconds longer. Do not heat contact more than 4 seconds in total.
4. Power Contact
 - 4.1 Operate the soldering iron at 350°C, 100 Watt max. and use a pencil tip.
 - 4.2. Apply some solder to the solder tip of the soldering iron.
 - 4.3. Put tip to wire in solder cup.
 - 4.4. After 1 second bring in solder.
 - 4.5. Heat for 5 seconds longer. Do not heat contact more than 6 seconds in total.
5. Remove soldering iron.
6. Wait until solder gets rigid again.
7. Do not solder adjacent contacts consecutively, alternate position within the connector to minimize heat build up.

RECOMMENDED PANEL CUT-OUT



THIS DRAWING MAY NOT BE COPIED OR REPRODUCED IN ANY WAY, AND MAY NOT BE PASSED ON TO A THIRD PARTY WITHOUT WRITTEN PERMISSION. OWNERSHIP AND COPYRIGHT OF CONEC GmbH DO NOT ALTER CAD DRAWING BY HAND				tolerance		scale: 2:1
				date	name	material: SEE SHEET 1
				drawn	10.11.10 Henneboel	title: PANEL CUT-OUT D-SUB COM. FEMALE 17W2S SOLDER CUP with threaded insert and hexlocking screw
				appd.	10.11.10 Fischer	
				norm		
				d-old		dwg no:
	a	Original		CONEC [®]		15K1A746
rev.	description	date	name			sh: 2
					part no:	SEE SHEET 1