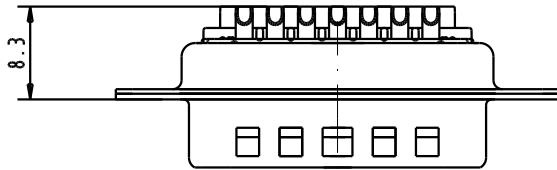
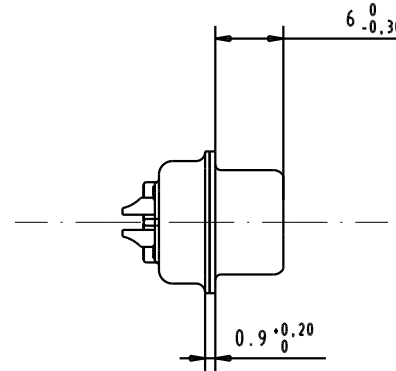
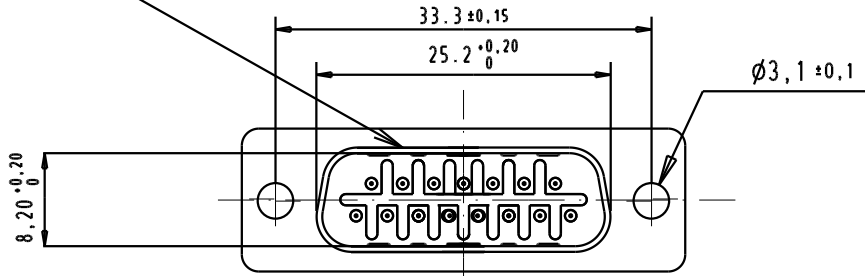
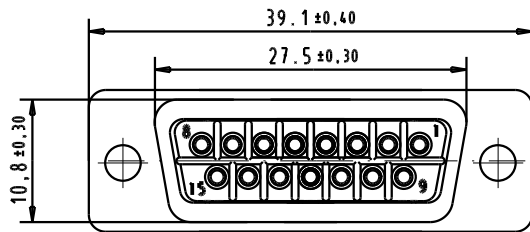


Mating face according to : MIL-C-24308 / DIN 41652 / CECC 75.01-802



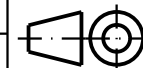
- 1) Protection standard IP 67 according to IEC 529 / DIN 40050.
- 2) Cable: AWG 20 max



09 67 415 5615

Au plating 0,76 µm mini

	Dat.	Name
Detail.	24/02/04	S.H.
Insp.		
Stand.		



All Dim. in mm
Orig. Size DIN A 4

D-SUB IP67 male 15 Poles
straight solder cup

Maßstab/
Scale

Part Number

Performance Level

31587	24/02/04	S.H.
Mod.	Dat.	Name

HARTING ELEKTRONIK
F-95972 Paris



TB 09 67 415 5615

Blatt/ Page

Sub.