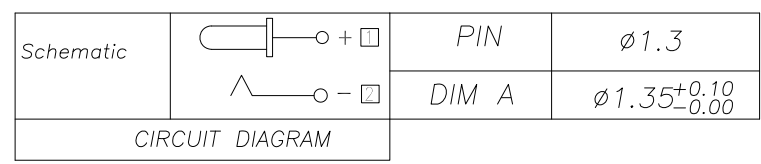
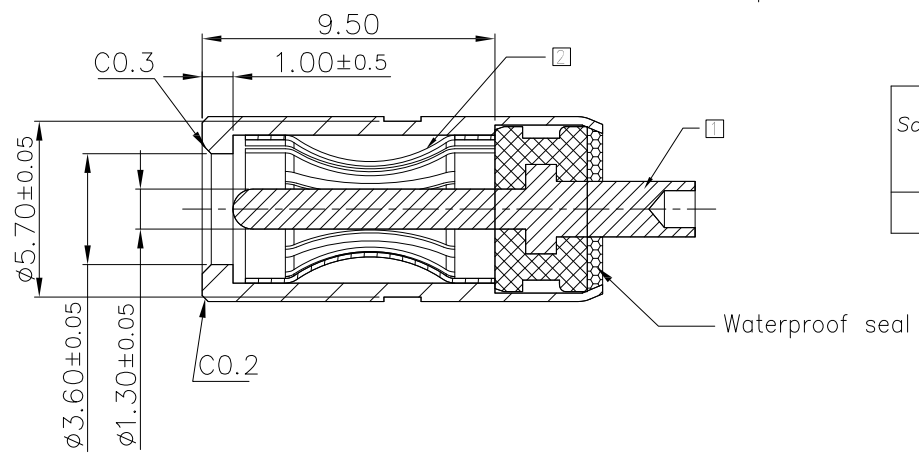
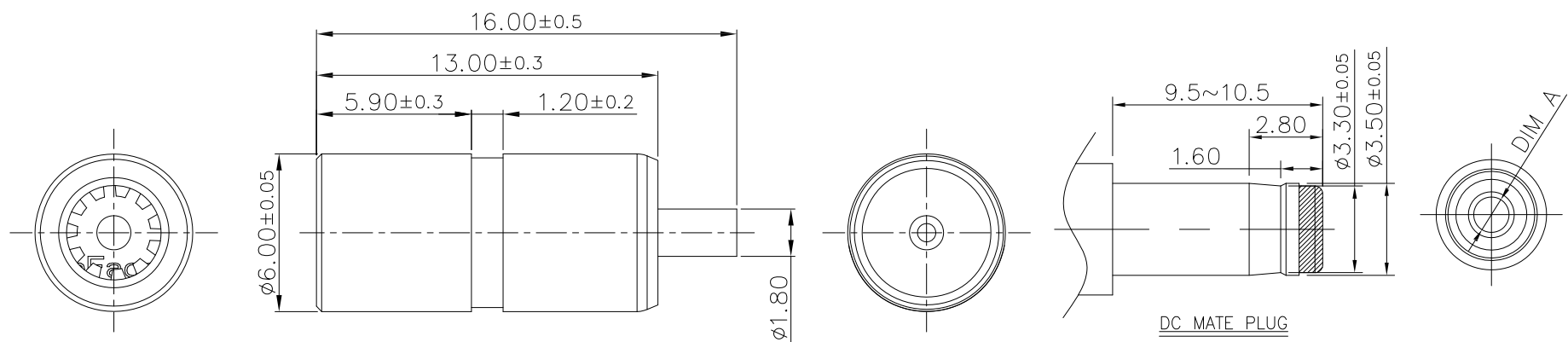


6 5 4 3 2 1

APPROVED: _____
DATE: _____ TITLE: _____

Rev	AWO #	Description	Date	Appr
-		RELEASED	4/2/19	



SPECIFICATIONS:
 Material:
 Housing: Hi-Temp Thermoplastic, reated UL94V-0, Color: Black
 Spring: Phosphor Bronze, Tin plated
 Center pin: Brass, Tin plated
 Bushing: Brass, Nickel plated
 Electrical:
 Rating: 30VDC, 1A
 Contact Resistance: 30 mohm max.
 Insulation Resistane: 100 Mohm min. @ 500 VDC
 Dielectric withstanding voltage: 500 VAC
 Temperature Rating:
 Operating temperature: -20°C to +70°C
 Environmental:
 Lead free, RoHS compliant.



UNLESS OTHERWISE SPECIFIED
 ALL DIMENSIONS ARE MILLIMETERS
 TOLERANCES: EXCEPT AS NOTED

MM	ANGLES
.X ± 0.38	X ± 5°
.XX ± 0.30	.X ± 3°
.XXX ± 0.15	.XX ± 2°

APPROVALS		DATE
DRAWN	OW	4/2/19
CHECKED	AC	4/2/19
APPROVED		

ADAM TECH INTERCONNECTS 909 Rahway Avenue,
 Union, NJ 07083
 Phone: 908-687-5000
 Fax: 908-687-5710

TITLE: DC POWER JACK, 1.30MM CENTER PIN, WATER PROOF: IPX7

SIZE X	PART NO. ADC-119-4-WP	REV. -
REF: S00002C	SCALE: NTS	SHEET 1 OF 1

6 5 4 3 2 1