

4 3 2 1

THIS DRAWING IS UNPUBLISHED. RELEASED FOR PUBLICATION AUG ,2006.  
 © COPYRIGHT BY TYCO ELECTRONICS CORPORATION. ALL RIGHTS RESERVED.

LOC	DIST	REVISIONS					
DW		P	LTR	DESCRIPTION	DATE	DWN	APVD
			A	RELEASED	17DEC08	BH	WK

NOTE:

- MATERIAL:**  
 INSERT HOUSING: PA46 WITH 30% GF, UL 94V-0, BLACK COLOR.  
 HOUSING: PA9T WITH 30% GF, UL 94V-0, BLACK COLOR.  
 CONTACTS: PHOSPHOR BRONZE.  
 SHELL: BRASS.  
 MYLAR: SILICONE POLYMER.
- FINISH:**  
 CONTACTS: 0.152µm [6µ"] MIN. GOLD PLATED ON CONTACT AREA, GOLD FLASH ON SOLDER TAIL, WITH ENTIRE CONTACT UNDERPLATED  
 1.27µm [50µ"] MIN. NICKEL.  
 SHELL: 0.508µm [20µ"] MIN. NICKEL PLATED.
- RECOMMENDED PCB THICKNESS:** 1.2mm.
- REFLOW SOLDER CAPABLE TO 260°C PER TE SPEC 109-201, CONDITION B.**

RECOMMENDED PCB LAYOUT 1  
 TOLERANCE:±0.05mm (TOP VIEW)

DETAIL A  
 (OTHERS SAME AS RECOMMENDED PCB LAYOUT 1)

RECOMMENDED PCB LAYOUT 2  
 TOLERANCE:±0.05mm (TOP VIEW)

2041075-1  
 PART NUMBER

THIS DRAWING IS A CONTROLLED DOCUMENT.		DWN	B. HSING	17DEC2008	Tyco Electronics Corporation Tyco Electronics Taipei, Taiwan		
DIMENSIONS: MM		CHK	S. CHIEN	17DEC2008	NAME		
TOLERANCES UNLESS OTHERWISE SPECIFIED:		APVD	W. KODAMA	17DEC2008	PRODUCT SPEC		
0 PLC ± -		108-57722		QUALIFICATION TEST REPORT			
1 PLC ± 0.30		501-57934		SIZE	CAGE CODE	DRAWING NO	RESTRICTED TO
2 PLC ± 0.20		1.65 GRAMS		A3	-	©=2041075	-
3 PLC ± 0.15		CUSTOMER DRAWING		SCALE		SHEET	REV
4 PLC ± -						1 OF 2	A
ANGLES ± -							
MATERIAL SEE NOTE							
FINISH SEE NOTE							

AMP 1470-19 REV 31MAR2000

THIS DRAWING IS UNPUBLISHED.

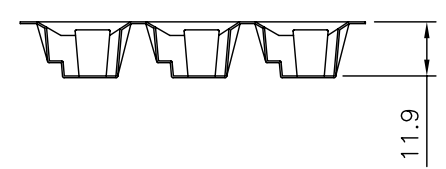
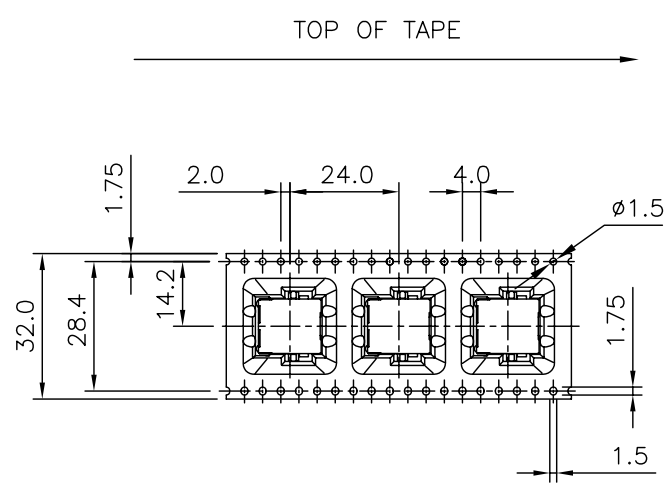
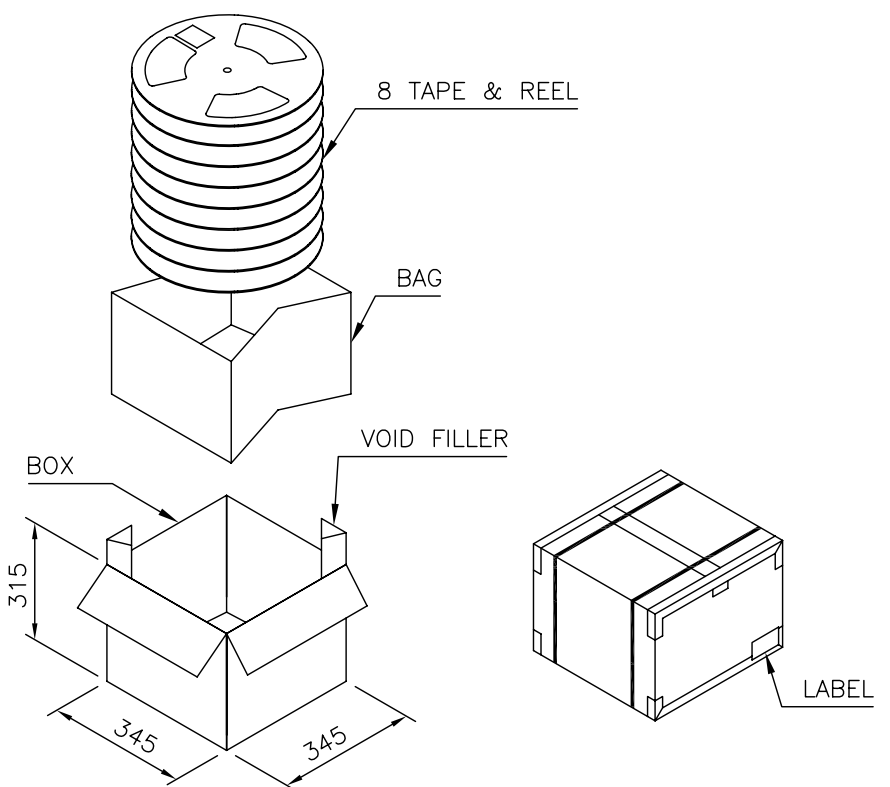
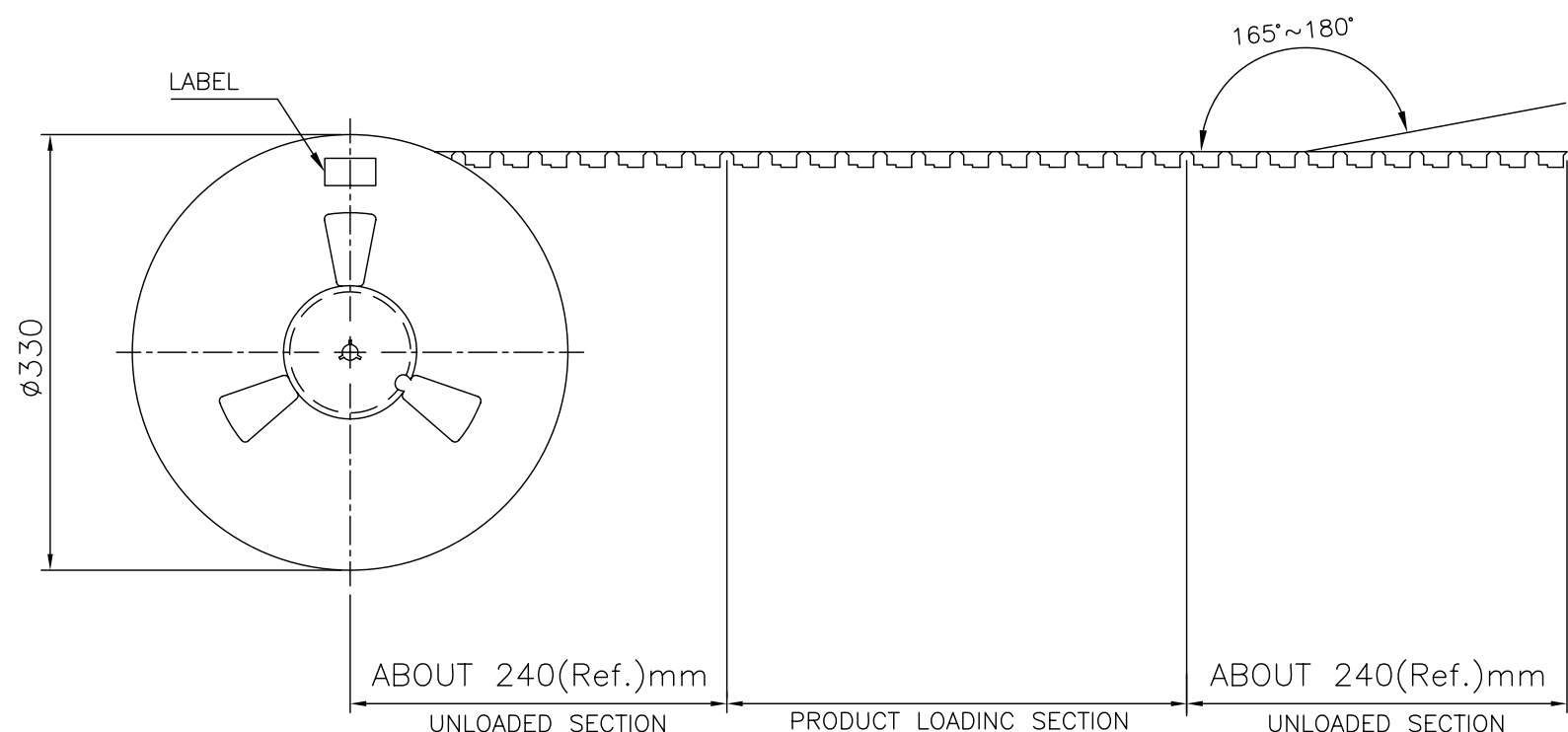
RELEASED FOR PUBLICATION AUG ,2006.

© COPYRIGHT BY TYCO ELECTRONICS CORPORATION. ALL RIGHTS RESERVED.

LOC DW DIST

REVISIONS

P	LTR	DESCRIPTION	DATE	DWN	APVD
		SEE SHEET 1.			



4.8 Kg	2.8 Kg	200	8	1600 PCS
GROSS WEIGHT (Ref.)	NET WEIGHT (Ref.)	PCS/REEL	REELS/BOX	QUANTITY

THIS DRAWING IS A CONTROLLED DOCUMENT.		DWN		Tyco Electronics Corporation Tapei, Taiwan	
DIMENSIONS: MM		CHK		NAME	
TOLERANCES UNLESS OTHERWISE SPECIFIED:		APVD		MODULAR JACK, RJ11 SINGLE, SMT TYPE, RVS TYPE	
0 PLC ± -		PRODUCT SPEC		SIZE	
1 PLC ± -		APPLICATION SPEC		CAGE CODE	
2 PLC ± -		WEIGHT		DRAWING NO	
3 PLC ± -		CUSTOMER DRAWING		C=2041075	
4 PLC ± -		SCALE		RESTRICTED TO	
ANGLES ± -		SHEET		REV	
FINISH		2 OF 2		A	