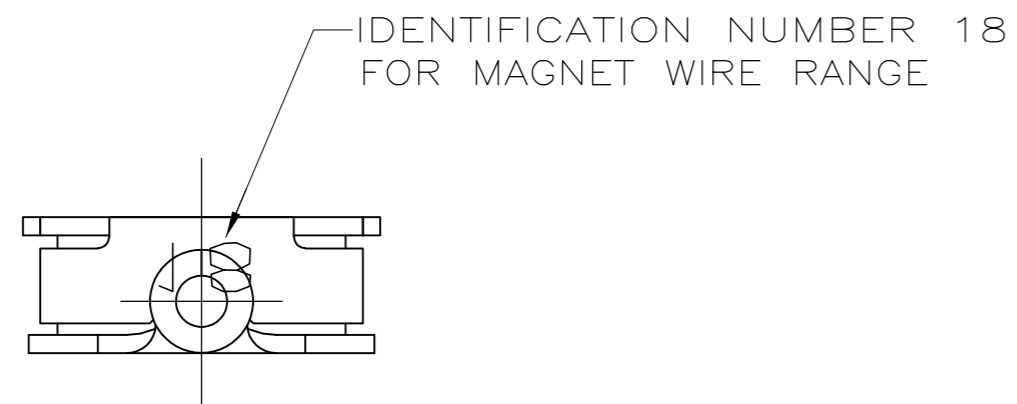
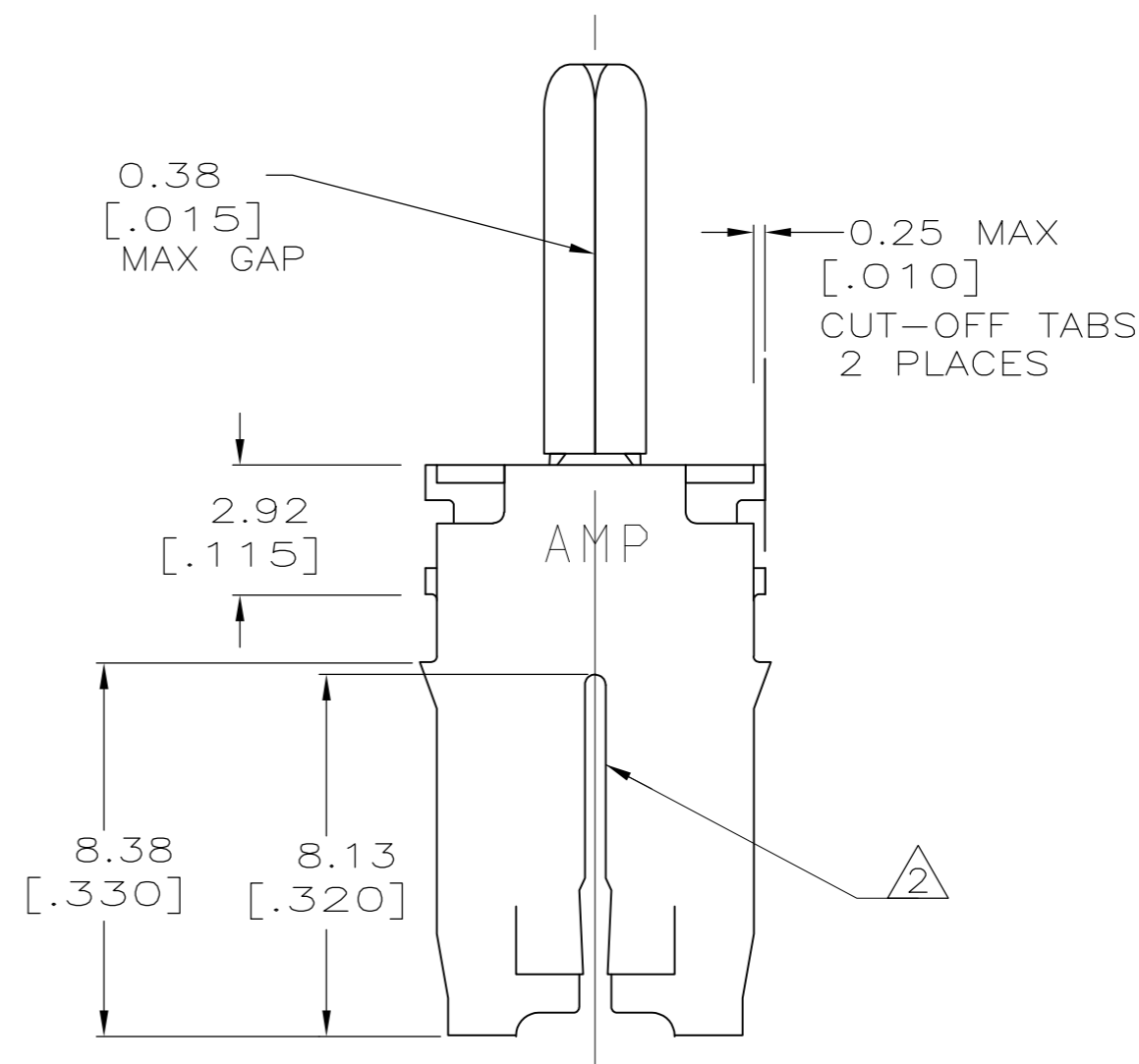
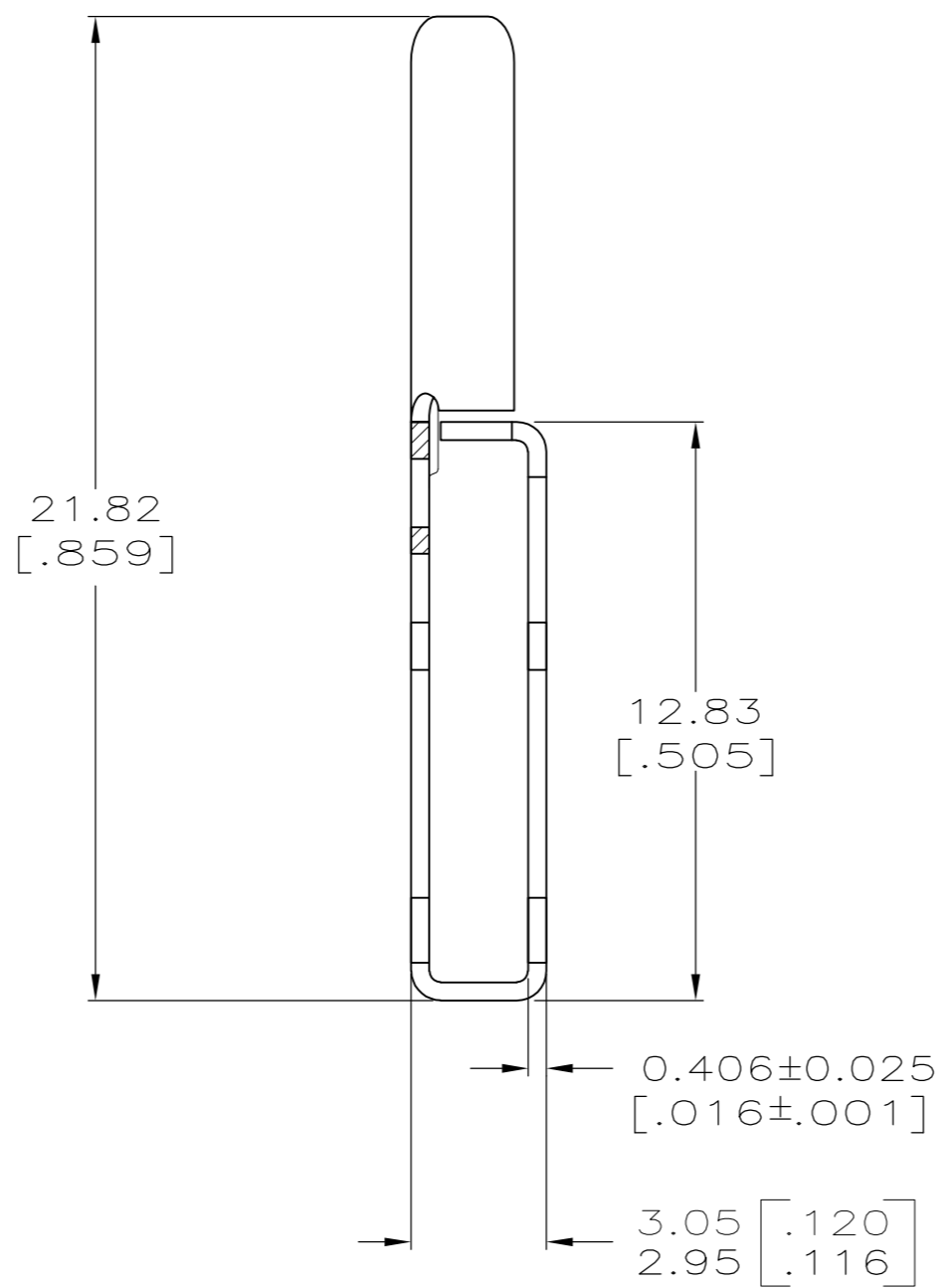
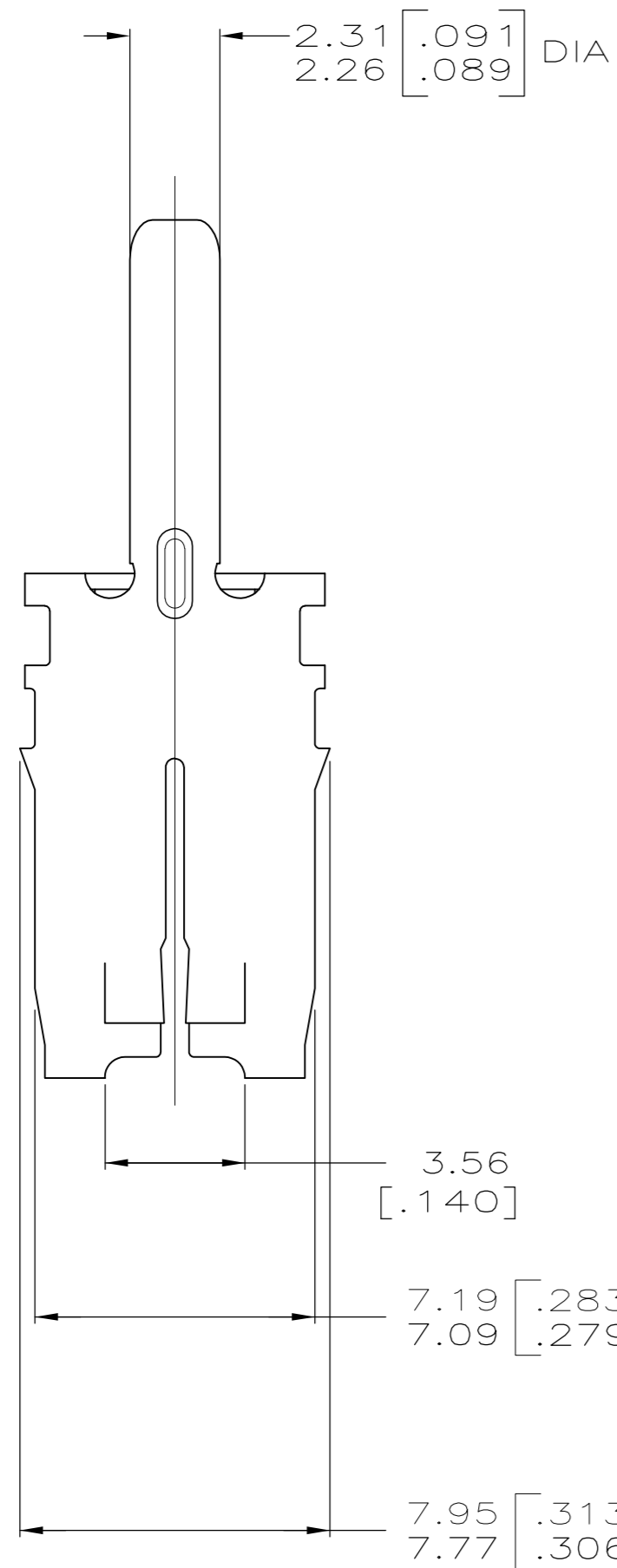


THIS DRAWING IS UNPUBLISHED. RELEASED FOR PUBLICATION
 © COPYRIGHT - By - ALL RIGHTS RESERVED.

| LOC | DIST | REVISIONS | | | |
|-----|------|-------------|---------------|---------|---------|
| P | LTR | DESCRIPTION | DATE | DWN | APVD |
| AF | 50 | A2 | ECR-13-016672 | 25OCT13 | PKS RRP |



- 1 SUPPLIED IN LOOSE PIECE
- 2 SLOT ACCEPTS 0.64-0.81mm [#22-#20] AWG COPPER MAGNET WIRE. 2 WIRES OF THE SAME SIZE MAX PER SLOT.
- 3 VARNISH RESIST OVER TIN



| | | | |
|---------------------------|-----------|---|---------------|
| MATERIAL | BRASS | PART NUMBER | 1742409-1 |
| TE TE Connectivity | | PIN, 2.29[.090] DIA, 500 SERIES MAG-MATE | |
| SIZE | CAGE CODE | DRAWING NO | RESTRICTED TO |
| A2 | 00779 | 1742409 | - |
| CUSTOMER DRAWING | | SCALE | SHEET |
| | | 6:1 | 1 of 1 |
| | | REV | A2 |

| | | | | |
|--|--|--------------------|------------|---------|
| THIS DRAWING IS A CONTROLLED DOCUMENT. | | DWN | JR RUTH | 07MAR06 |
| DIMENSIONS: INCHES | | CHK | K RANDOLPH | 07MAR06 |
| TOLERANCES UNLESS OTHERWISE SPECIFIED: | | APVD | K RANDOLPH | 07MAR06 |
| 0 PLC ± - | | PRODUCT SPEC | 108-2053 | |
| 1 PLC ± - | | APPLICATION SPEC | 114-2066 | |
| 2 PLC ± 0.25[.010] | | WEIGHT | - | |
| 3 PLC ± - | | MATERIAL SEE TABLE | | |
| 4 PLC ± - | | FINISH - 3 | | |
| ANGLES ± - | | | | |