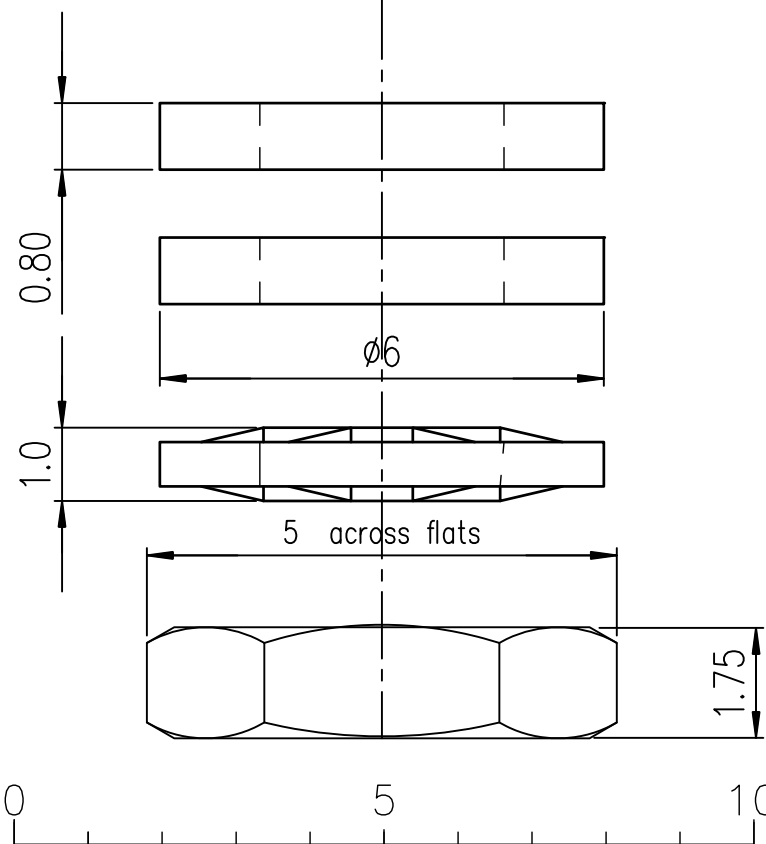
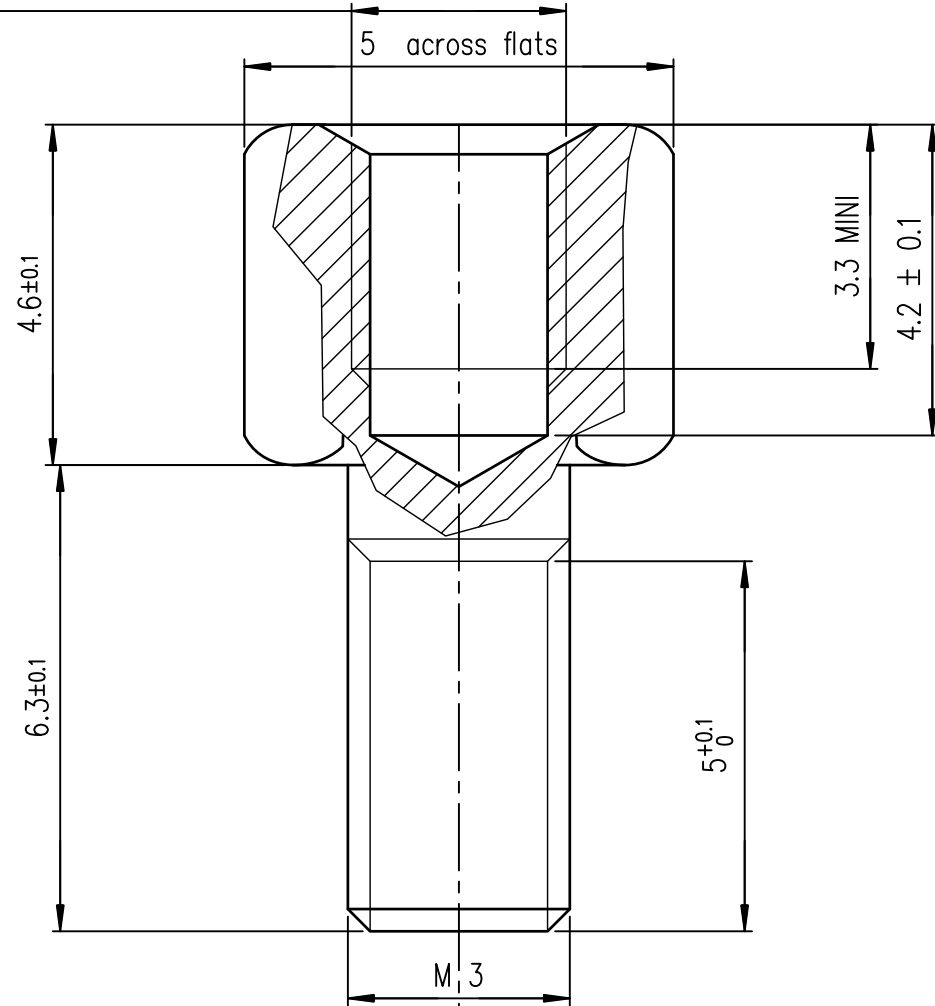


INTERNAL THREAD UNC 4.40



TECHNICAL CHARACTERISTICS :

- Female screw locks: brass, cadmium plated .
- Compensating washer: steel , zinc plated .
- Nuts : steel , zinc plated .
- Packaging : per 100 pieces .
- Corrosion resistance : 48 hours exposure to salt spray .

Part number 863001017

European Views

www.fciconnect.com		surface ISO 1302 ✓	tolerance std ISO 406 ISO 1101	projection mm
TOLERANCES UNLESS OTHERWISE SPECIFIED				
Dr	JOUBERT	1994/12/12	ANGULAR	0.X ±0.1
Eng	PESSON	1994/12/12	LINEAR	0.XX ±0.1
Chr	ABHILASH	2011/01/25	0.XX ±2	0.XXX ±0.1
Appr	SUDHIR	2011/01/25	Product family	D-SUB
size A3				Scale 10
ECN 111-0022				Spec ref -
title FEMALE SCREW LOCKS D SUB ACCESSORIES		dwg no C01-8655-0660		Rev. F
catalog no		CUSTOMER sheet 1 of 1		

rev	ecn no	dr	date
A	-	JOU	1994/12/12
B	LS06-0097	LGO	2006/07/28
C	LS07-0001	MPE	2007/01/02
D	LS09-0006	PCR	2009/01/08
E	LS09-0063	PCR	2009/03/25
F	111-0022	AMR	2011/01/25
-	-	-	-



Copyright FCI.