

MATERIAL AND FINISHES

BODY BRASS
PLATED NICKEL

CENTER CONTACT BERYLLIUM COPPER
PLATED GOLD

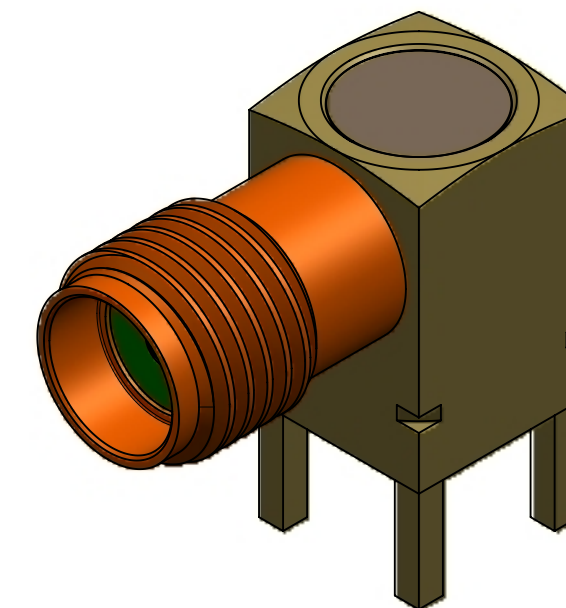
PCB CONTACT BRASS
PLATED GOLD

INSULATOR TEFLON

NOTE:

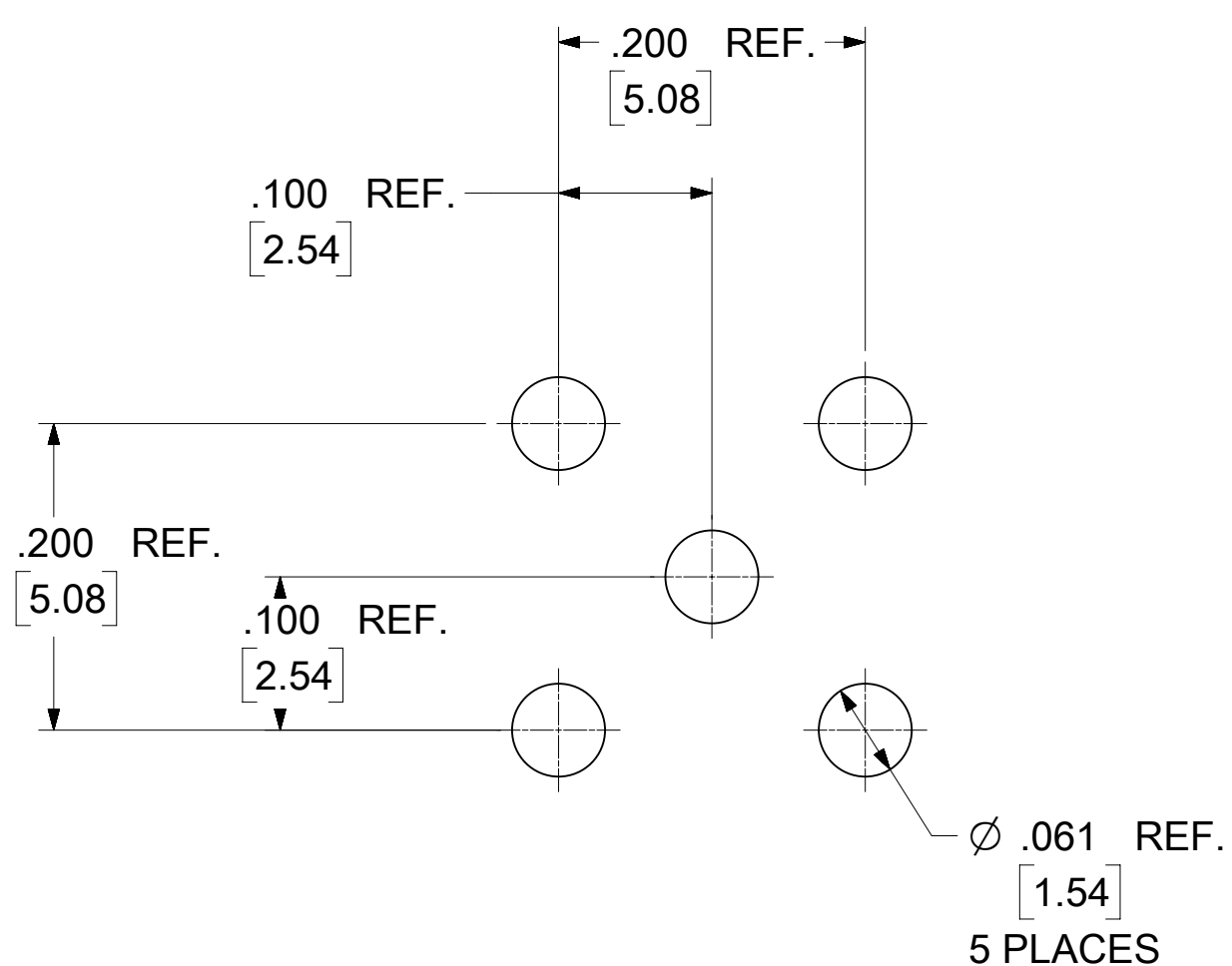
1. 73100-0115 PACKAGE REFER TO PK-89542-0320

2. EXCEPTION TO PRODUCT SPECIFICATION
FREQUENCY RANGE: DC TO 12GHZ

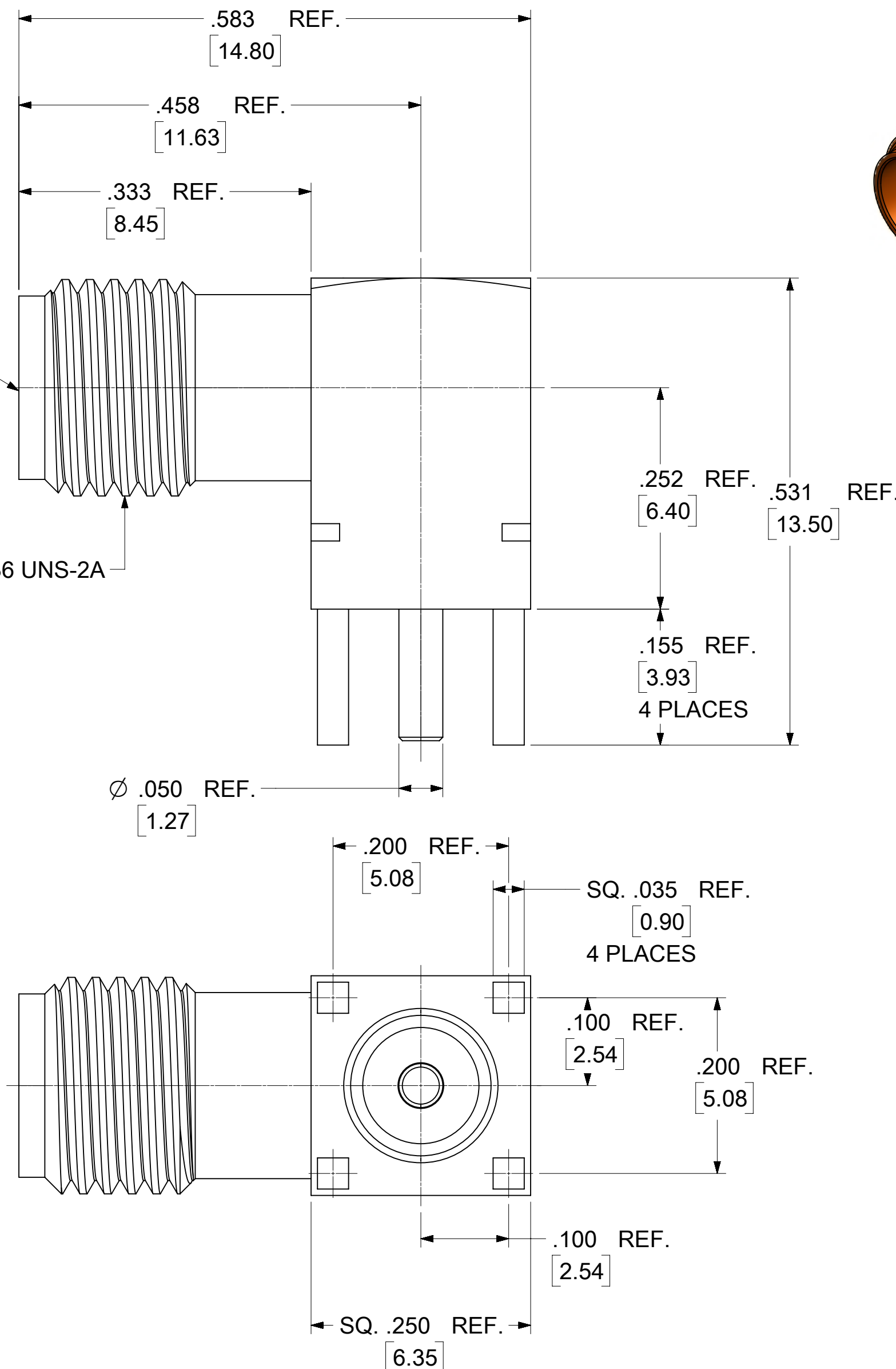


SMA JACK
INTERFACE

1/4-36 UNS-2A



RECOMMENDED PCB LAYOUT



73251-3131	ONE PER BAG
73100-0115	TRAY
PART NO.	PACKAGING

PS-89675-3460	PRODUCT SPECIFICATION
SPECIFICATION	DESCRIPTION

B5	2020/02/06	ADD FREQUENCY NOTE PER EWR 13330-B
B4	2019/09/05	ADDED NOTE 1 PER EWR # 13330-A
B3	2011/03/30	ADD SINGLE BAG VERSION PS WAS 73598-0111
REV.	DATE	DESCRIPTION

SYMBOLS		THIS DRAWING CONTAINS INFORMATION THAT IS PROPRIETARY TO MOLEX ELECTRONIC TECHNOLOGIES, LLC AND SHOULD NOT BE USED WITHOUT WRITTEN PERMISSION	
$\nabla = 0$	DIMENSION UNITS	SCALE	CURRENT REV DESC:
$\nabla = 0$	HYBRID	NTS	
$\nabla = 0$	GENERAL TOLERANCES (UNLESS SPECIFIED)		
$\nabla = 0$	ANGULAR TOL	$\pm 2.0^\circ$	
$\nabla = 0$	4 PLACES	\pm	EC NO: 631707
$\nabla = 0$	3 PLACES	\pm	DRWN: CWEI02 2020/02/06
$\nabla = 0$	2 PLACES	\pm	CHK'D: YCHENG 2020/02/11
$\nabla = 0$	1 PLACE	\pm	APPR: YCHENG 2020/02/11
$\nabla = 0$	0 PLACES	\pm	INITIAL REVISION:
$\nabla = 0$	DRAFT WHERE APPLICABLE MUST REMAIN WITHIN DIMENSIONS		DRWN: JWIENER 2008/02/07
$\nabla = 0$	THIRD ANGLE PROJECTION		APPR: JWIENER 2008/02/07
	DRAWING	SERIES	DOCUMENT NUMBER
	C-SIZE	73100	SD-73100-0115
	MATERIAL NUMBER		DOC TYPE
	SEE TABLE		PSD
	CUSTOMER		DOC PART
	GENERAL MARKET		001
	SHEET NUMBER		REVISION
	1 OF 1		B5

molex

SMA JACK, R/A PCB, 50 OHMS
PLATED NICKEL, SMA-J/PCB EWR # 13330

PRODUCT CUSTOMER DRAWING