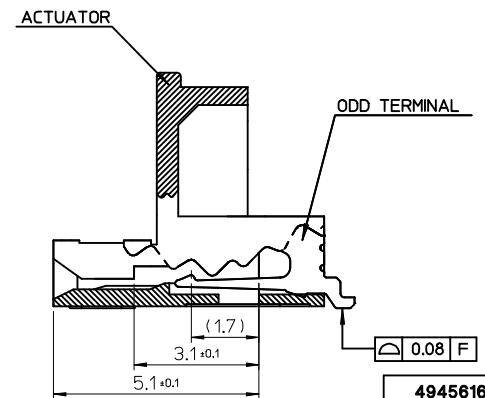
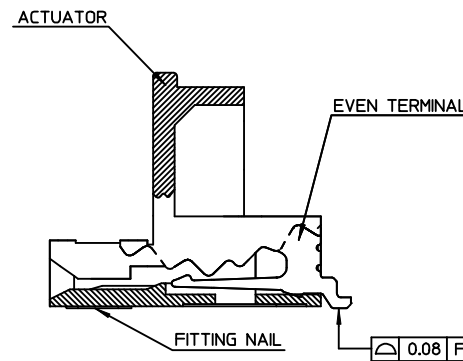
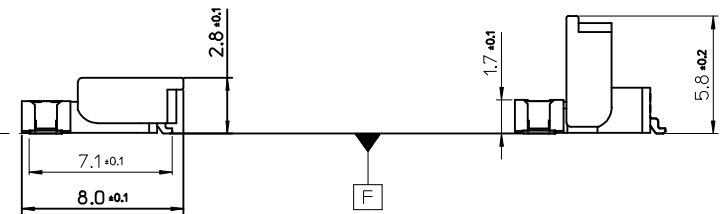
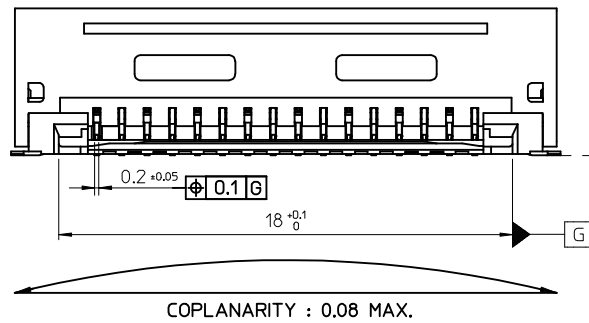
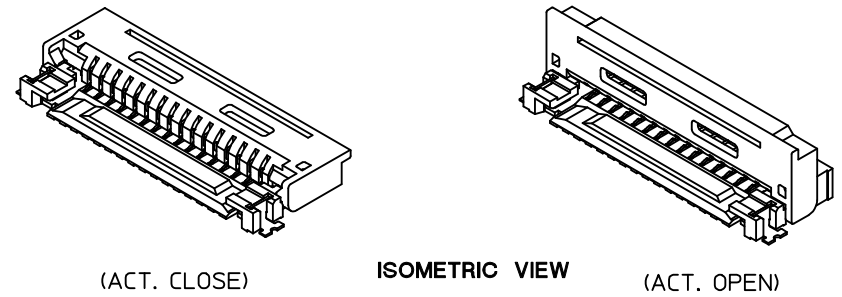
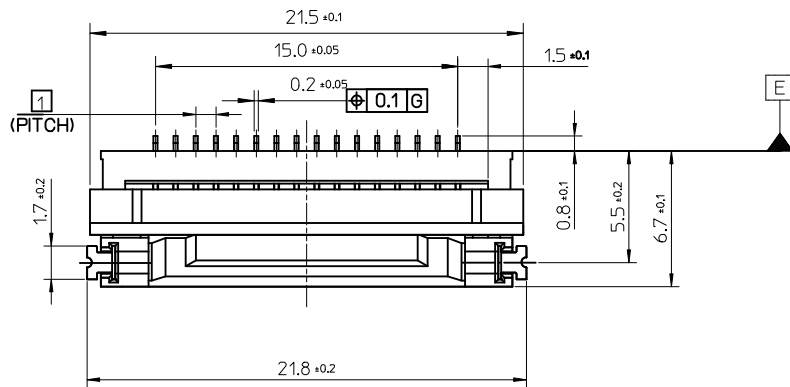


10 9 8 7 6 5 4 3 2 1



NOTES

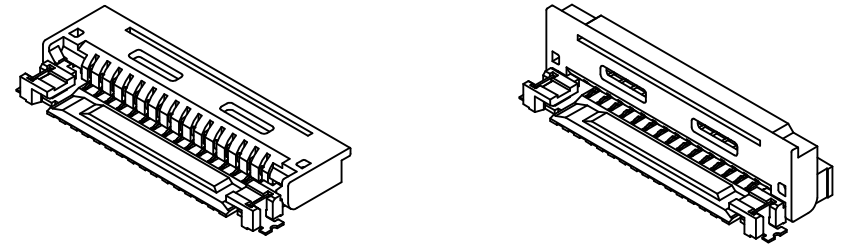
1. MATERIAL
 - HOUSING : LCP GLASS FILLED, UL94V-0, COLOR:BEIGE.
 - ACTUATOR : LCP GLASS FILLED, UL94V-0, COLOR:BLACK.
 - TERMINAL : COPPER ALLOY, C52100-H10.
 - FITTING NAIL : COPPER ALLOY, C52100-H04.
2. FINISHES
 - TERMINAL : TIN[Sn] OVER NICKEL[Ni] PLATING.
 Tin[Sn] 1.5~3 MICROMETER
 NICKEL[Ni] 2~4 MICROMETER (UNDER PLATING)
 - FITTING NAIL : TIN[Sn] OVER NICKEL[Ni] PLATING.
 Tin[Sn] 1.5~3 MICROMETER.
 NICKEL[Ni] 1~3 MICROMETER (UNDER PLATING)
3. PRODUCT SPECIFICATION : PS-49456-001
4. PACKING SPECIFICATION : PK-49456-001
5. ACTUATOR IS OPEN IN THE EMBOSSED PACKING

494561617
ORDER NO.

REVISED EC NO: KOR2016-0047 DRW:KTK1M01 2015/12/01 CHK:DKSKIM 2015/12/01 APPR:YSK1M02 2015/12/07	DESCRIPTION QUALITY SYMBOLS ▽=0 ◻=0	GENERAL TOLERANCES (UNLESS SPECIFIED)		DIMENSION STYLE MM ONLY		SCALE	DESIGN UNITS	THIRD ANGLE PROJECTION	
		mm	INCH				METRIC		
		4 PLACES	± ---	± ---	DRAWN BY	DATE	TITLE		
		3 PLACES	± ---	± ---	JH.LEE	2007/10/22	1.0 FFC BACKFLIP CONN. HOUSING ASSY 16P		
			CHECKED BY	DATE					
2 PLACES	± 0.25	± ---	KSKIM	2007/10/22					
1 PLACE	± 0.3	± ---	APPROVED BY	DATE					
			YUNSIKKIM	2012/01/10					
		ANGULAR ± 1 °	MATERIAL NO.			MOLEX INCORPORATED			
				SEE TABLE		DOCUMENT NO.	SHEET NO.		
				DRAFT WHERE APPLICABLE MUST REMAIN WITHIN DIMENSIONS		SD-49456-002	1 OF 3		
			SIZE	THIS DRAWING CONTAINS INFORMATION THAT IS PROPRIETARY TO MOLEX INCORPORATED AND SHOULD NOT BE USED WITHOUT WRITTEN PERMISSION					
			A3						

9 8 7 6 5 4 3 2 1

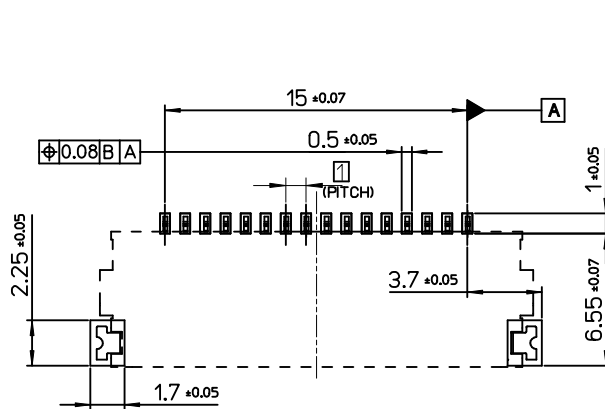
LEAD-FREE



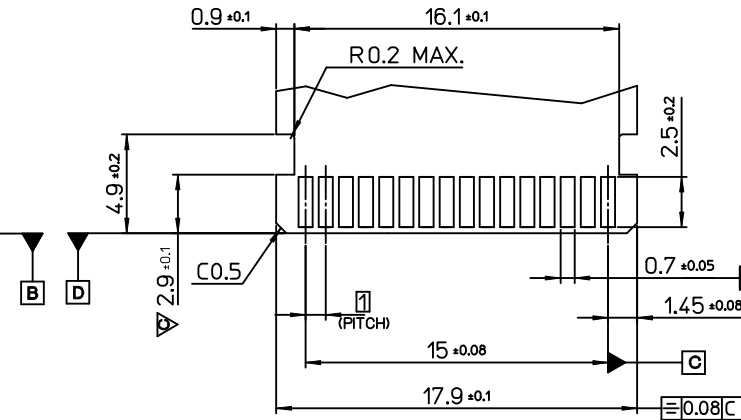
(ACT. CLOSE)

ISOMETRIC VIEW

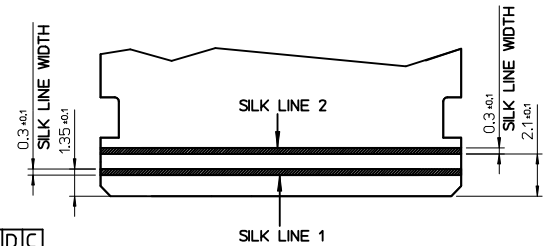
(ACT. OPEN)



P.C. BOARD DIMENSION (RECOMMEND)



FPC/FFC DIMENSION (RECOMMEND)
(FLIM THICKNESS = 0.3±0.05)

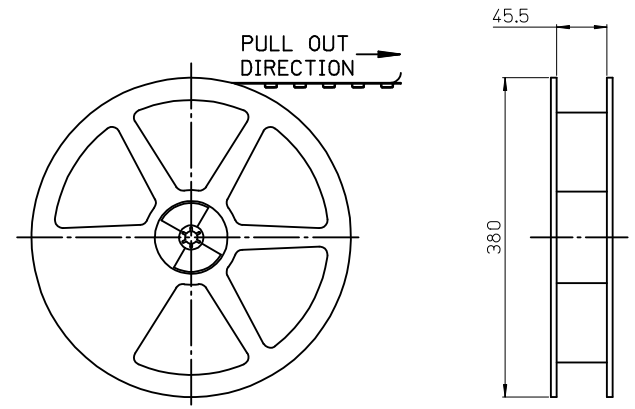
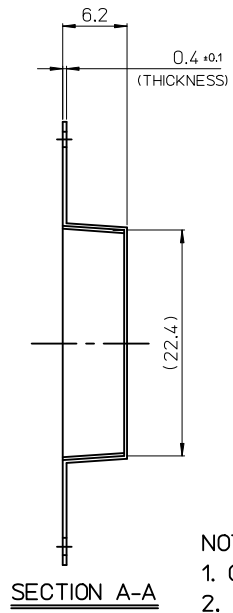
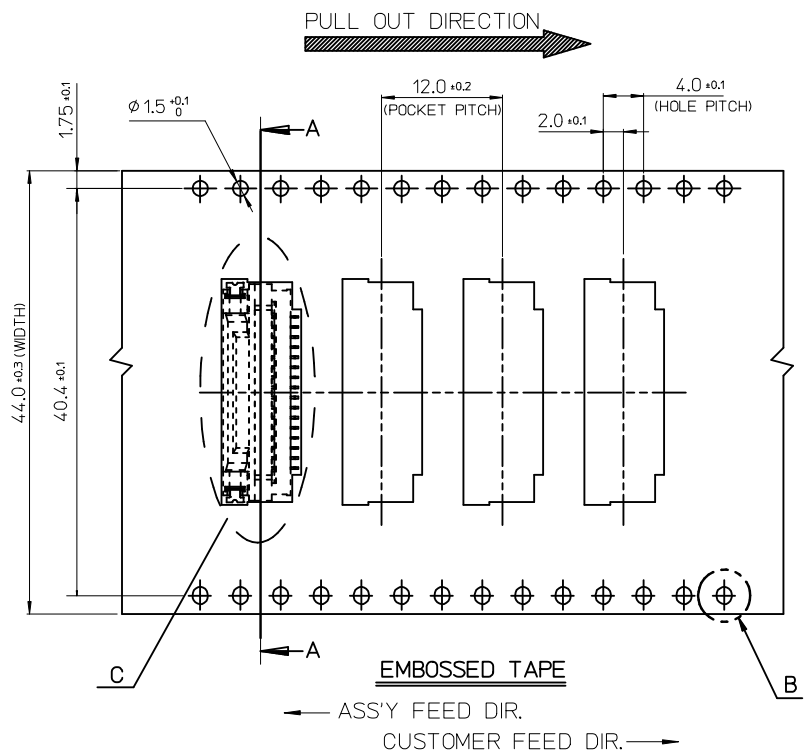


FPC/FFC DIMENSION BACK SIDE (RECOMMEND)

1. RECOMMENDED FFC SPECIFICATION
WHEN FFC FULLY INSERT : SILK LINE 1 : INVISIBLE
SILK LINE 2 : VISIBLE

REVISED EC NO: KOR2016-0047 DRW:KTK/IM01 2015/12/01 CHK:D-KSK/IM 2015/12/01 APPR:YSK/IM02 2015/12/07	QUALITY SYMBOLS ▽=0 C=0	GENERAL TOLERANCES (UNLESS SPECIFIED)		DIMENSION STYLE MM ONLY		SCALE	DESIGN UNITS	THIRD ANGLE PROJECTION	
		mm	INCH	DRAWN BY	DATE	TITLE	METRIC	MOLEX INCORPORATED	SHEET NO. 2 OF 3
		4 PLACES ± --- ± ---	JH.LEE	2007/10/22	1.0 FFC BACKFLIP CONN. HOUSING ASSY 16P				
		3 PLACES ± --- ± ---	CHECKED BY	DATE					
2 PLACES ± 0.25 ± ---	KS.KIM	2007/10/22							
1 PLACE ± 0.3 ± ---	APPROVED BY	DATE							
ANGULAR ± 1 °	YUNSIKKIM	2012/01/10							
	MATERIAL NO.								
DRAFT WHERE APPLICABLE MUST REMAIN WITHIN DIMENSIONS		SEE SHEET1		DOCUMENT NO. SD-49456-002					
		SIZE	THIS DRAWING CONTAINS INFORMATION THAT IS PROPRIETARY TO MOLEX INCORPORATED AND SHOULD NOT BE USED WITHOUT WRITTEN PERMISSION						

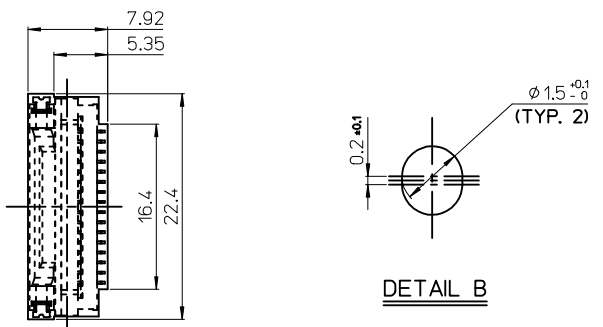
10 9 8 7 6 5 4 3 2 1



PLASTIC BOBBIN

NOTES

- QUANTITY OF CONNECTORS : 1200PCS/REEL
- LEAD LENGTH 25 ± 10
10~20PCS (NUMBER OF EMPTY PART)
460 MIN
COMPONENT SUPPLIER
TAIL PART (EMPTY) 20~40PCS
- PEELING OFF FORCE OF COVER TAPE : 0.1N~0.59N(10.2gf~60gf)
(PEELING DIRECTION AS SHOW IN FOLLOW FIG.)
PEELING OFF SPEED : 300mm/Min.(Ref.)
PULL OUT DIRECTION
PEEL OFF DIRECTION
- FLASH IN ANY PORTION SHOULD BE LESS THAN 0.20mm MAX.



NO.	DESCRIPTION	MATERIAL	REMARK
3	PLASTIC BOBBIN	HI P.S	WHITE
2	COVER TAPE	P.E.T	37.5mm
1	CARRIER (EMBOSS) TAPE	P.E.T	-

494561617	494561610	494569916
MATERIAL NO.	CONNECTOR	EMBOSS TAPE

REVISED	EC NO: KOR2016-0047	2015/12/01
	DRWN:KTI/INO1	2015/12/01
	CHKD:KSK/IM	2015/12/01
	APPR:YSK/IMO2	2015/12/07

QUALITY SYMBOLS	GENERAL TOLERANCES (UNLESS SPECIFIED)
▽=0	mm INCH
∇=0	4 PLACES ± --- ± ---
	3 PLACES ± --- ± ---
	2 PLACES ± 0.25 ± ---
	1 PLACE ± 0.3 ± ---
	ANGULAR ± 1 °
	DRAFT WHERE APPLICABLE MUST REMAIN WITHIN DIMENSIONS

DIMENSION STYLE	
MM ONLY	
DRAWN BY	DATE
JH.LEE	2007/10/22
CHECKED BY	DATE
KS.KIM	2007/10/22
APPROVED BY	DATE
YUNSIKKIM	2012/01/10
MATERIAL NO.	
SEE TABLE	

SCALE	DESIGN UNITS	THIRD ANGLE PROJECTION
	METRIC	
TITLE		
1.0 FPC BACKFLIP CONN. HOUSING ASSY 16P		
MOLEX INCORPORATED		
DOCUMENT NO.	SHEET NO.	
SD-49456-002	3 OF 3	
THIS DRAWING CONTAINS INFORMATION THAT IS PROPRIETARY TO MOLEX INCORPORATED AND SHOULD NOT BE USED WITHOUT WRITTEN PERMISSION		

9 8 7 6 5 4 3 2 1