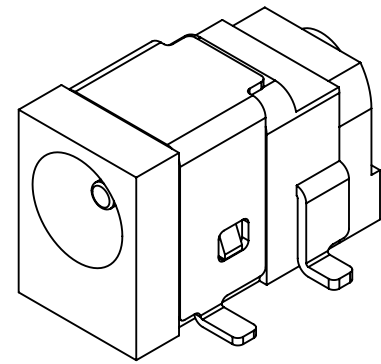
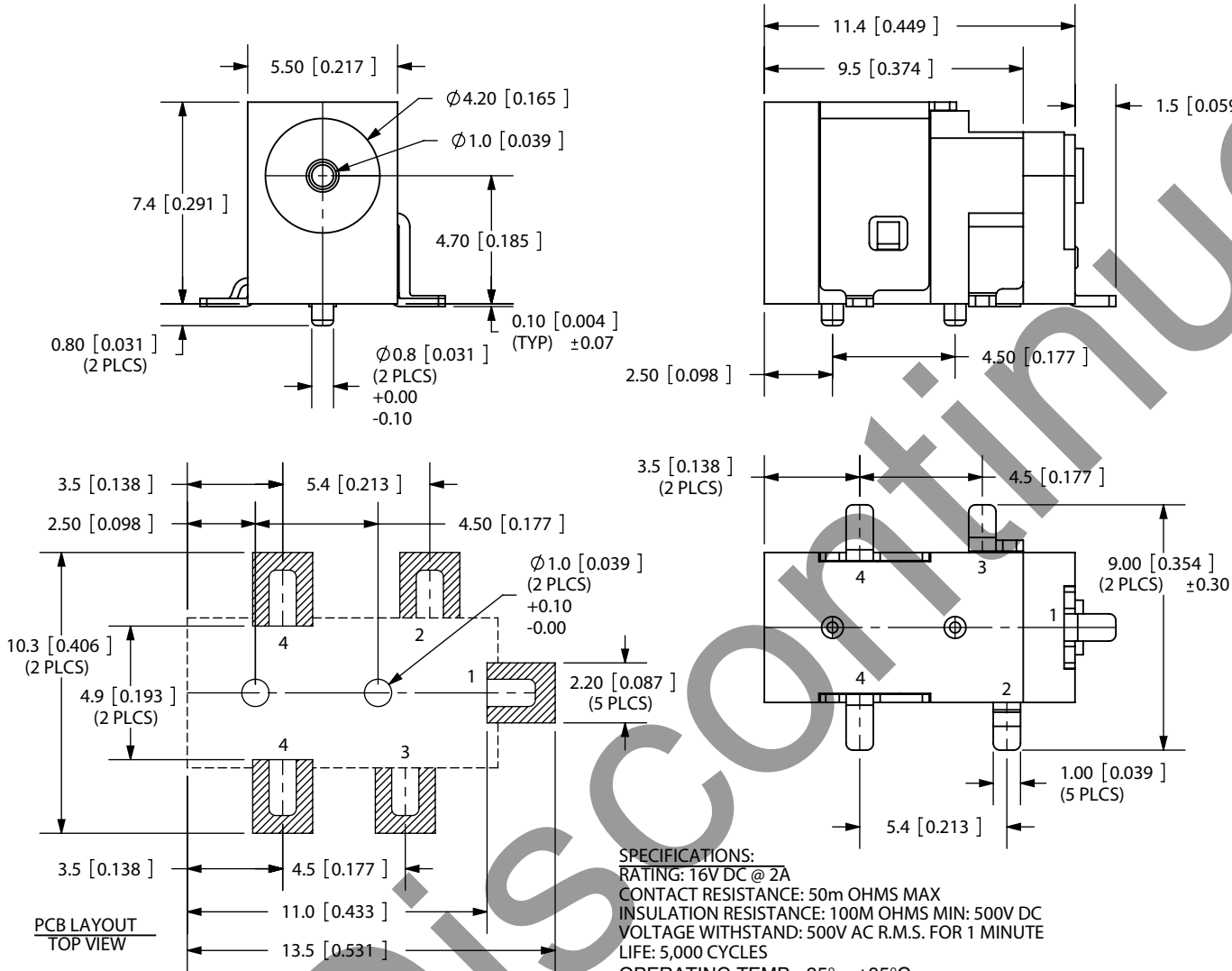


|      |             |          |
|------|-------------|----------|
| REV. | DESCRIPTION | DATE     |
| A    | NEW DRAWING | 2/1/2007 |



TOLERANCE:  
 X.X ±0.2mm  
 X.XX ±0.1mm  
 X.XXX ±0.05mm



**SPECIFICATIONS:**  
 RATING: 16V DC @ 2A  
 CONTACT RESISTANCE: 50m OHMS MAX  
 INSULATION RESISTANCE: 100M OHMS MIN: 500V DC  
 VOLTAGE WITHSTAND: 500V AC R.M.S. FOR 1 MINUTE  
 LIFE: 5,000 CYCLES  
 OPERATING TEMP: -25° ~ +85°C

|            | MATERIAL          | PLATING |
|------------|-------------------|---------|
| TERMINAL 1 | Brass             | Silver  |
| TERMINAL 2 | Copper Alloy      | Silver  |
| TERMINAL 3 | Brass             | Silver  |
| CENTER PIN | Copper            | Nickel  |
| SHIELD 4   | Cold Rolled Steel | Tin     |
| HOUSING    | PA6T              |         |
| COVER      | PA6T              |         |



20050 SW 112th Ave.  
 Tualatin, OR 97062  
 Phone: 503-612-2300  
 800-275-4899  
 Fax: 503-612-2383  
 Website: www.cui.com

|           |             |
|-----------|-------------|
| MODEL NO. | PJ-030C-SMT |
| SCHMATIC  |             |

CENTER PIN DIAMETER 1.0mm Dia.

PC FILE NAME:  
 PJ-030C-SMT

COPYRIGHT 2007 BY CUI INC.

|           |                                |              |             |
|-----------|--------------------------------|--------------|-------------|
| TITLE:    | 1.0mm SURFACE MOUNT POWER JACK | REV:         | A           |
| PART NO.  | PJ-030C-SMT                    | UNITS:       | MM [INCHES] |
| DRAWN BY: | ZRJ                            | APPROVED BY: |             |
|           |                                | SCALE:       | 4:1         |