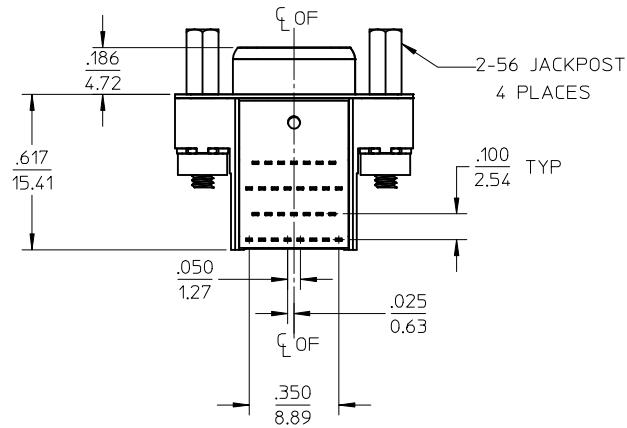
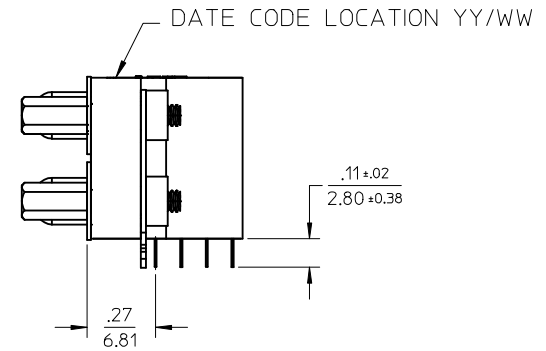
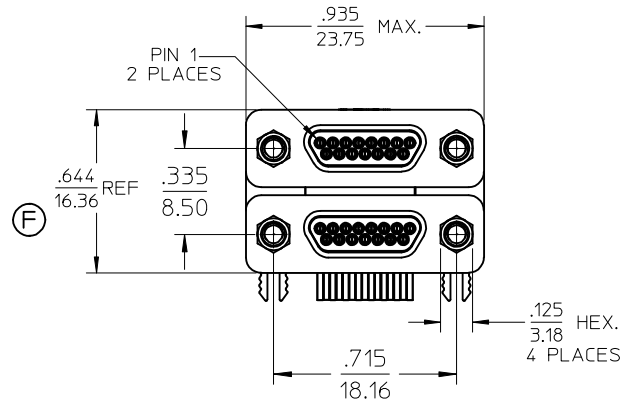


10	9	8	7	6	5	4	3	2	1
MATERIAL NO.	ENGINEERING NO.								
836199010	83619-9010								



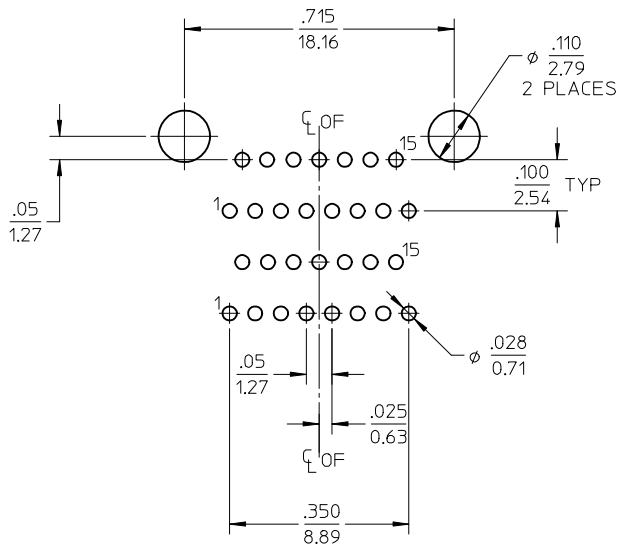
SALES DRAWING

NOTES: UNLESS OTHERWISE SPECIFIED.

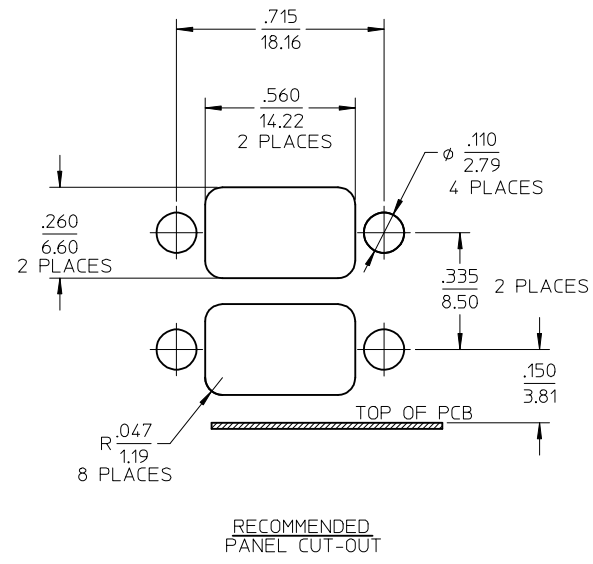
1. RoHS COMPLIANT.
2. SEE SHEET 2 OF 2 FOR P.C.B. LAYOUT AND PANEL CUT-OUT DIMENSIONS.

UPDATE DIM. EC NO: WNA2010-0136 DRWN:BRUPERT 2009/08/26 CHKD:BRUPERT 2009/08/26 APPR: JFMURPHY 2009/09/22	QUALITY SYMBOLS 	GENERAL TOLERANCES (UNLESS SPECIFIED)		DIMENSION STYLE IN/MM		SCALE 2:1	DESIGN UNITS INCH	THIRD ANGLE PROJECTION		
			mm	INCH	DRAWN BY	DATE	TITLE			
		4 PLACES	± ---	± ---	JLOMASTR	04/09/20	DUAL CONNECTOR COMM. MICRO D PLUG R/A SIZE 15			
		3 PLACES	± ---	± .005	CHECKED BY	DATE				
2 PLACES	± 0.13	± .01	RDEROSS	04/09/28	MOLEX INCORPORATED					
1 PLACE	± 0.25	± ---	APPROVED BY	DATE						
ANGULAR ± 1/2°		DRAFT WHERE APPLICABLE MUST REMAIN WITHIN DIMENSIONS		SEE CHART		MATERIAL NO.		DOCUMENT NO.		
				SIZE A3		THIS DRAWING CONTAINS INFORMATION THAT IS PROPRIETARY TO MOLEX INCORPORATED AND SHOULD NOT BE USED WITHOUT WRITTEN PERMISSION		SHEET NO. 1 OF 2		

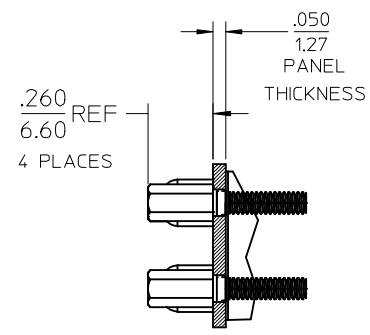
MATERIAL NO.	ENGINEERING NO.
836199010	83619-9010



RECOMMENDED
P.C.B. LAY-OUT
SOLDER SIDE



RECOMMENDED
PANEL CUT-OUT



SALES DRAWING

UPDATE GEO. EC NO: WNA2010-0136 DRWN:BRUPERT 2009/08/26 CHKD:BRUPERT 2009/08/26 APPR: JFMURPHY 2009/09/22	QUALITY SYMBOLS	GENERAL TOLERANCES (UNLESS SPECIFIED) <table border="1"> <thead> <tr> <th></th> <th>mm</th> <th>INCH</th> </tr> </thead> <tbody> <tr> <td>4 PLACES</td> <td>± .---</td> <td>± .---</td> </tr> <tr> <td>3 PLACES</td> <td>± .---</td> <td>± .005</td> </tr> <tr> <td>2 PLACES</td> <td>± 0.13</td> <td>± .01</td> </tr> <tr> <td>1 PLACE</td> <td>± 0.25</td> <td>± .---</td> </tr> <tr> <td colspan="3">ANGULAR ± 1/2°</td> </tr> </tbody> </table>		mm	INCH	4 PLACES	± .---	± .---	3 PLACES	± .---	± .005	2 PLACES	± 0.13	± .01	1 PLACE	± 0.25	± .---	ANGULAR ± 1/2°			DIMENSION STYLE	SCALE	DESIGN UNITS	THIRD ANGLE PROJECTION
			mm	INCH																				
	4 PLACES		± .---	± .---																				
	3 PLACES		± .---	± .005																				
2 PLACES	± 0.13	± .01																						
1 PLACE	± 0.25	± .---																						
ANGULAR ± 1/2°																								
DESCRIPTION	IN/MM	2:1	INCH	TITLE																				
REV	DRAWN BY	DATE	DUAL CONNECTOR																					
	CHECKED BY	DATE	COMM. MICRO D PLUG R/A																					
	APPROVED BY	DATE	SIZE 15																					
	JFMURPHY	2009/08/26	MOLEX INCORPORATED																					
	MATERIAL NO.	SEE CHART	DOCUMENT NO.	SD-83619-006																				
	SIZE	A3	SHEET NO. 2 OF 2																					
DRAFT WHERE APPLICABLE MUST REMAIN WITHIN DIMENSIONS																								
THIS DRAWING CONTAINS INFORMATION THAT IS PROPRIETARY TO MOLEX INCORPORATED AND SHOULD NOT BE USED WITHOUT WRITTEN PERMISSION																								