



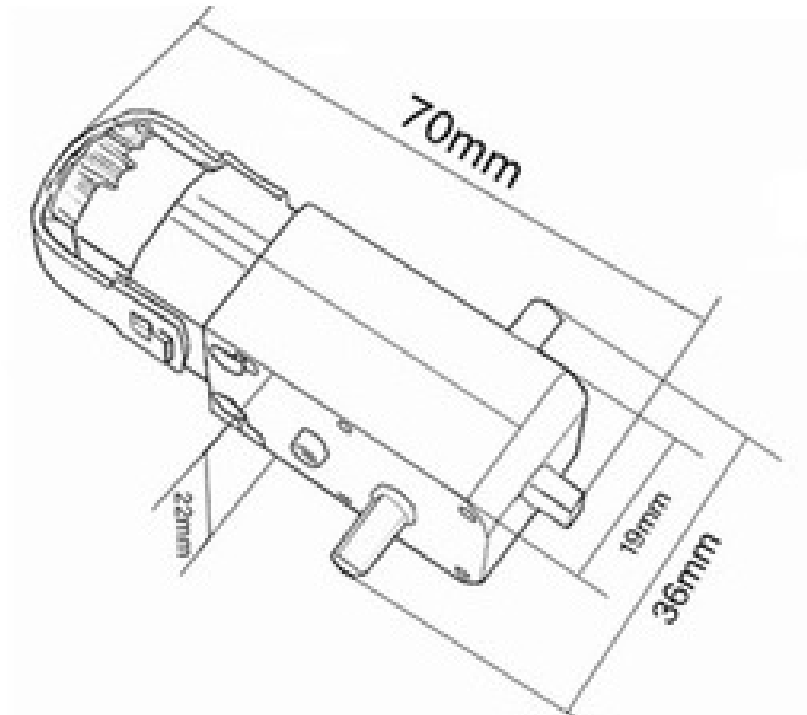
TT Motor Dual output shaft (1:48)

SKU 114090050

The TT motor is mainly used in robots, DIY projects, it can convert electrical energy into rotational force, you can use Seeeduino to control it, but you also need a motor drive to control, because Seeeduino can not directly control high-power devices. In this way you can easily control the motor, you can make a car or a fun rotating toy.

Motor parameters :

	Rated voltage DC(V)	Rated current MA	No-load speed rpm/min	Load speed rpm/min	Torque kg.cm
48 : 1	3	160	120	100	0.45
	6	220	200	175	1.0
	7.2	250	250	210	1.5



Part List

1 x TT motor

ECCN/HTS

ECCN	ERA99
HSCODE	8501101000
UPC	