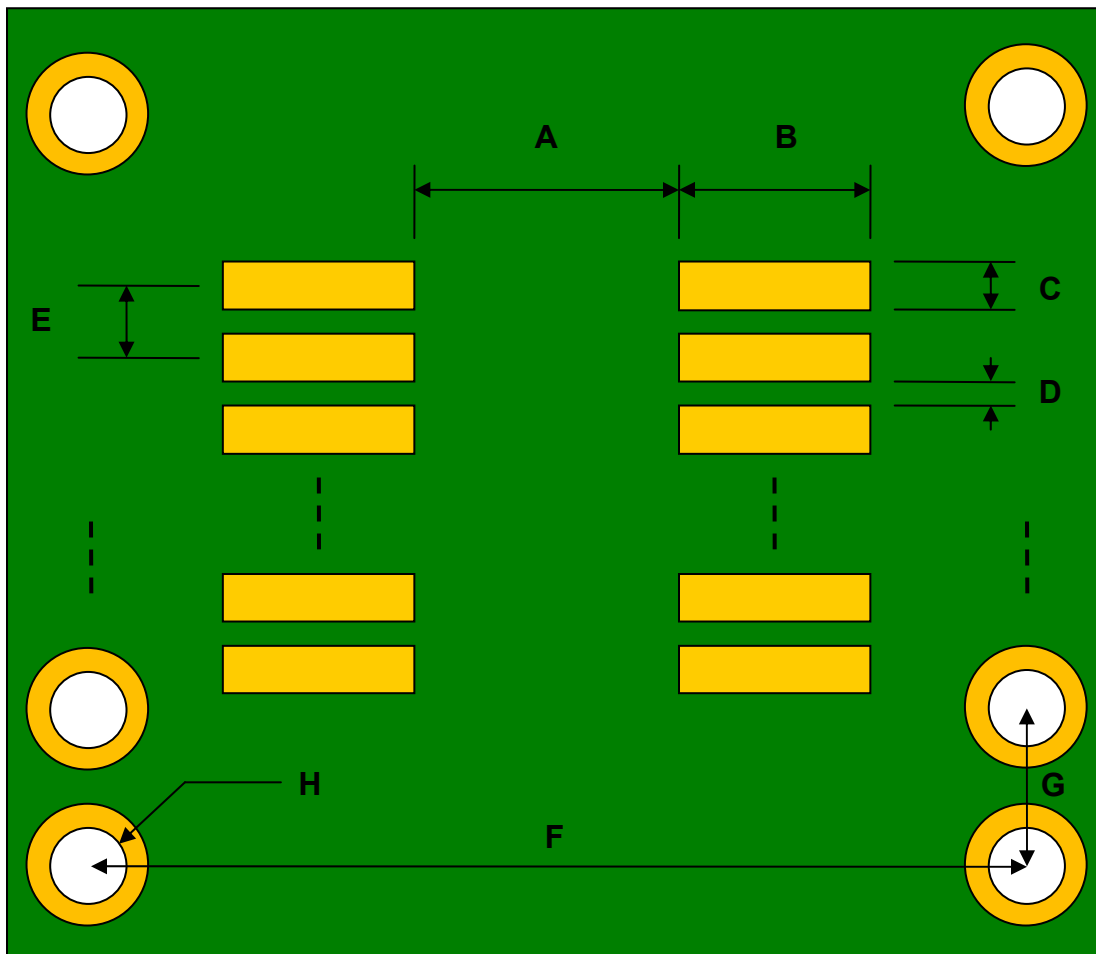


SOT23 to DIP SMT Adapter

REF.	DIMENSIONS					
	mm			inches		
	MIN.	TYP.	MAX.	MIN.	TYP.	MAX.
A		1.15				
B		1.05				
C		0.55				
D		0.40				
E		0.95				
F					0.300	
G					0.100	
H					0.040	



(Representative drawing only - not to scale)