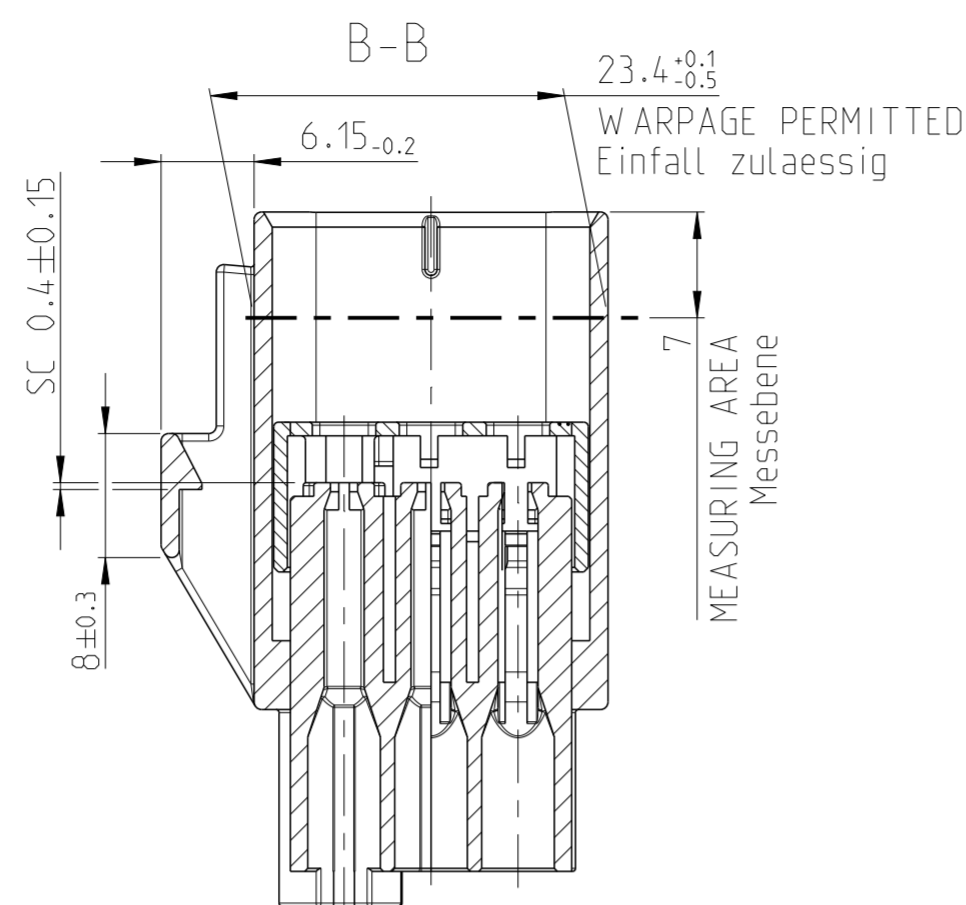
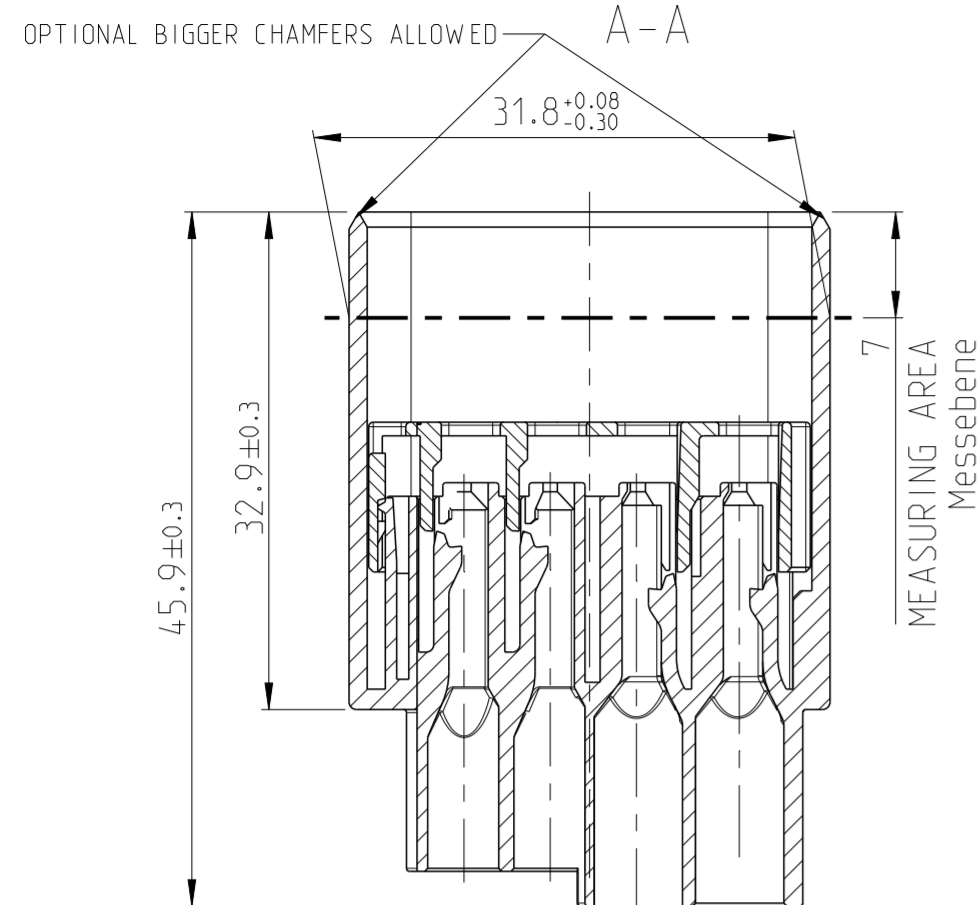
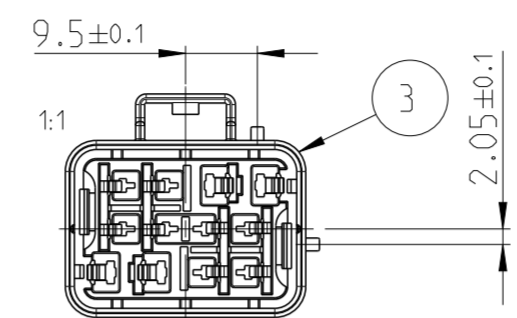


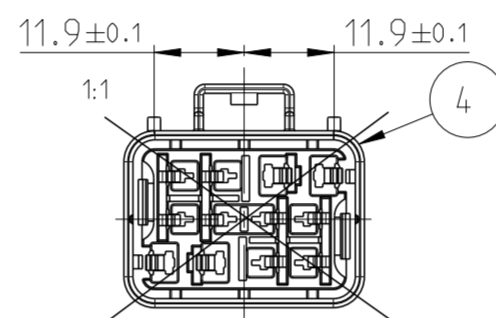
REVISIONS					
P	LTR	DESCRIPTION	DATE	DWN	APVD
G2		SEE PCN E-14-018294	08DEC2014	MK	KR
G3		ECR-15-002126	09FEB2015	GP	KR
G4		ECR-20-012259	31AUG2020	VKS	PT



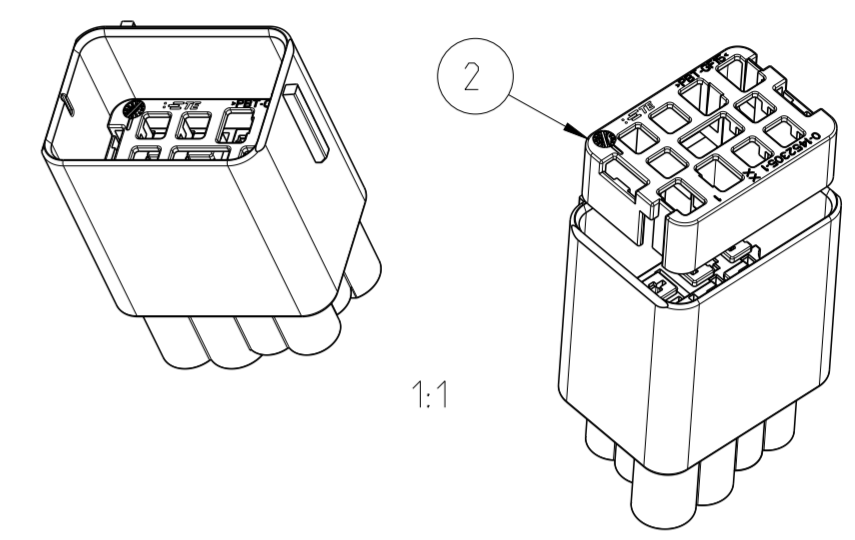
CODING B



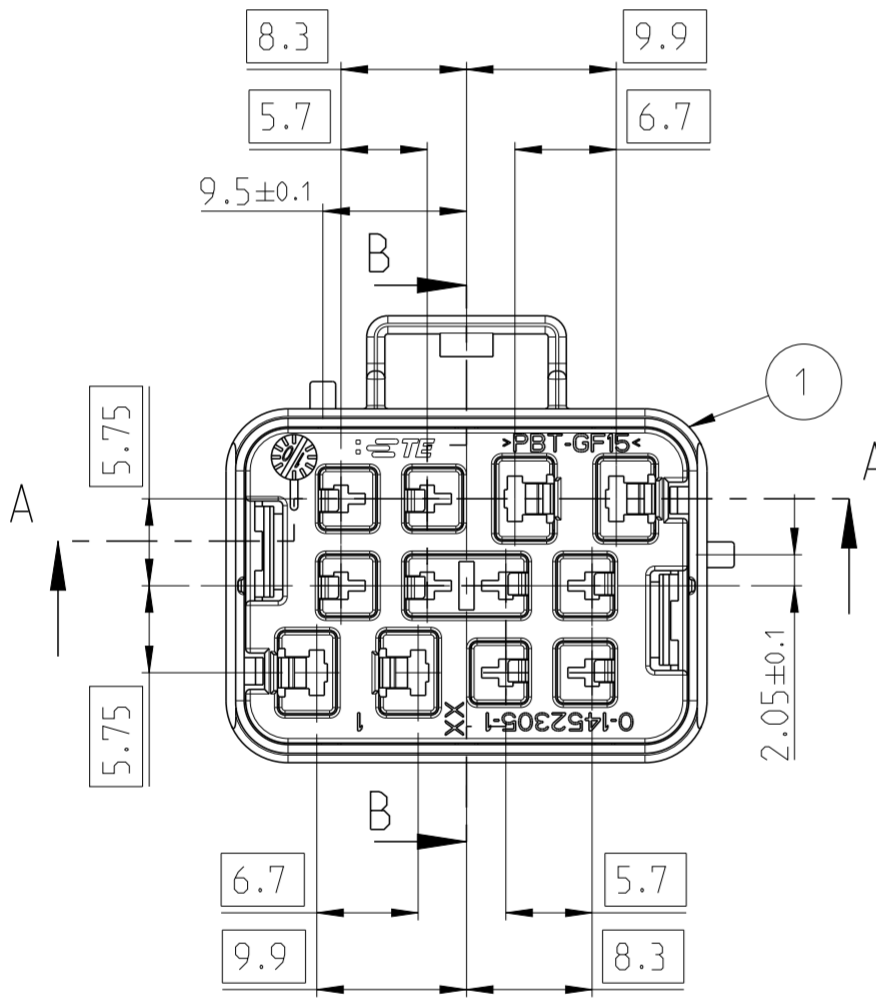
CODING C



1.5MM MALE TERMINAL SEALED
 SUITABLE TERMINALS: FORD CAT2 (SUPPLIER YAZAKI)
 2.8MM MALE TERMINAL SEALED
 SUITABLE TERMINALS: FORD CAT3 (SUPPLIER YAZAKI OR TE)



CODING A



- NOTES:
 Bemerkungen:
- DELIVERY CONDITION: SPACER IN PRE LOCK POSITION
 Anlieferungszustand: Spacer in Vorraststellung
 - MATED WITH TE PART NO. 1452299 AND 1452734
 passend zu TE Teile Nr. 1452299 und 1452734
 - SC SIGNIFICANT CHARACTERISTIC
 Significantes Merkmal
- 1 AS SHOWN
 wie gezeichnet

**PINOUT CONFIGURATION
 Pinoutkonfiguration**

CODING A												
3-1452303-1	X	X	X	X	X			X	X	X	X	X
1-1452303-1	X	X	X	X	X			X	X	X	X	X
0-1452303-1												
	1	2	3	4	5	6	7	8	9	10	11	12

WITH "X" MARKED INDICATE CLOSED LOCATIONS
 Markierte Felder mit "X" kennzeichnen geschlossene Kammern

BLANKED CAVITIES INDICATE OPEN LOCATIONS FOR TERMINALS
 Leere Felder kennzeichnen offene Kammern fuer Kontakte

CODING B												
4-1452303-1	X	X	X	X	X					X	X	
2-1452303-1	X	X	X	X	X					X	X	
0-1452303-2												
	1	2	3	4	5	6	7	8	9	10	11	12

WITH "X" MARKED INDICATE CLOSED LOCATIONS
 Markierte Felder mit "X" kennzeichnen geschlossene Kammern

BLANKED CAVITIES INDICATE OPEN LOCATIONS FOR TERMINALS
 Leere Felder kennzeichnen offene Kammern fuer Kontakte

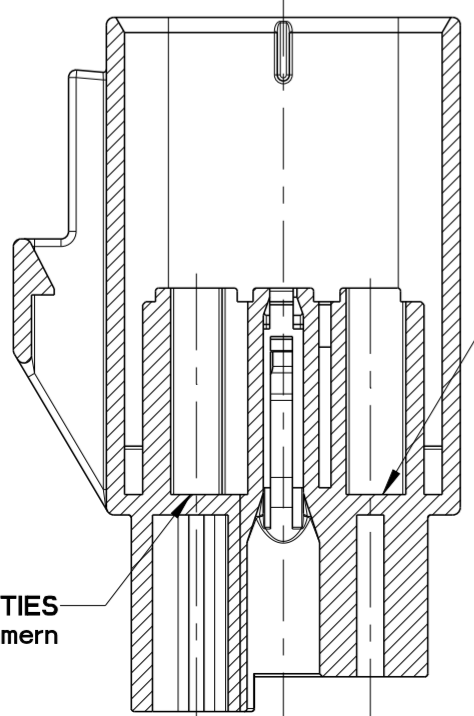
CODING C												
0-1452303-3												
	1	2	3	4	5	6	7	8	9	10	11	12

WITH "X" MARKED INDICATE CLOSED LOCATIONS
 Markierte Felder mit "X" kennzeichnen geschlossene Kammern

BLANKED CAVITIES INDICATE OPEN LOCATIONS FOR TERMINALS
 Leere Felder kennzeichnen offene Kammern fuer Kontakte

G4 APPLICABLE COMPONENTS				
ITEM	DESCRIPTION	PLATING/COLOUR	TE PART NO.	YAZAKI PART NO.
1	1.5mm MALE TERMINAL SYSTEM (0.35-0.5mm2)	TIN	-	7114-4102-02
	1.5mm MALE TERMINAL SYSTEM (0.75-1.0mm2)	TIN	-	7114-4103-02
2	WIRE SEAL (1.5mm) (0.35-0.5mm2)	RED	-	7158-3030-50
3	WIRE SEAL (1.5mm) (0.75-1.0mm2)	BLUE	-	7158-3031-90
4	BLIND PLUG (1.5mm)	GREEN	-	7158-3032-60
	2.8mm MALE TERMINAL SYSTEM (0.35mm2)	TIN	0-1326031-1	-
	2.8mm MALE TERMINAL SYSTEM (0.5mm2)	TIN	0-1326031-2	-
	2.8mm MALE TERMINAL SYSTEM (0.75-1.0mm2)	TIN	0-1326031-3	-
	2.8mm MALE TERMINAL SYSTEM (AWG16)	TIN	0-1326031-4	-
5	2.8mm MALE TERMINAL SYSTEM (1.5-2.5mm2)	TIN	0-1326031-5	-
	WIRE SEAL (2.8mm) (0.35-0.5mm2)	GREEN	-	7158-3111-60
7	WIRE SEAL (2.8mm) (0.75-1.0mm2)	YELLOW	-	7158-3112-70
8	WIRE SEAL (2.8mm) (1.5-2.5mm2)	WHITE	-	7158-3113-40
9	BLIND PLUG (2.8mm)	BLUE	-	7158-3114-90

CLOSED CAVITIES / Geschlossene Kammern



CLOSED 15mm CAVITIES
 Geschlossene 1,5mm Kammern

CLOSED 2.8mm CAVITIES
 Geschlossene 2,8mm Kammern

1x		1x					PBT-GF20	MALE HSG. CODING B	green	-
	1x		1x				PBT-GF20	MALE HSG. CODING A	black	-
					1x		PBT-GF20	MALE HSG. CODING C	nature	4
						1x	PBT-GF20	MALE HSG. CODING B	green	3
1x	1x	1x	1x	1x	1x	1x	PBT-GF15	SPACER	red	2
						1x	PBT-GF20	MALE HSG. CODING A	black	1
							MATERIAL	DESCRIPTION	COLOUR	ITEM NO
A	A	D	F	-	C	E	REVISION OF EACH ASSY NO (WHEN BLANK, USE DWG REVISION)			
18.3	18.3	18.3	18.3	-	18.3	18.3	WEIGHT OF EACH ASSY NO [g]			
4-1452303-1	3-1452303-1	2-1452303-1	1-1452303-1	0-1452303-3	0-1452303-2	0-1452303-1	TE ASSY PN			
B	A	B	A	C	B	A	CODING			
2-1452299-1	1-1452299-1	2-1452299-1	1-1452299-1	0-1452299-3	0-1452299-2	0-1452299-1	MATING COMPONENT TE ASSY PN			
							PARTS LIST			

THIS DRAWING IS A CONTROLLED DOCUMENT.

DIMENSIONS:	TOLERANCES UNLESS OTHERWISE SPECIFIED:
mm	0 PLC ±
	1 PLC ±
	2 PLC ±
	3 PLC ±
	4 PLC ±
	ANGLES #5
MATERIAL	FINISH
-	-
-	-

DWN G.PUCKEL 160CT2001	CHK S.DENTER 160CT2001	APVD G.MUMPER 160CT2001	NAME
PRODUCT SPEC			12 POS. INLINER TO REAR-BUMPER CON. ASSY MALE HOUSING
APPLICATION SPEC			SIZE CAGE CODE DRAWING NO
WEIGHT			A2 00779 C-1452303
CUSTOMER DRAWING			RESTRICTED TO
SCALE 2:1			SHEET 1 OF 1 REV G4