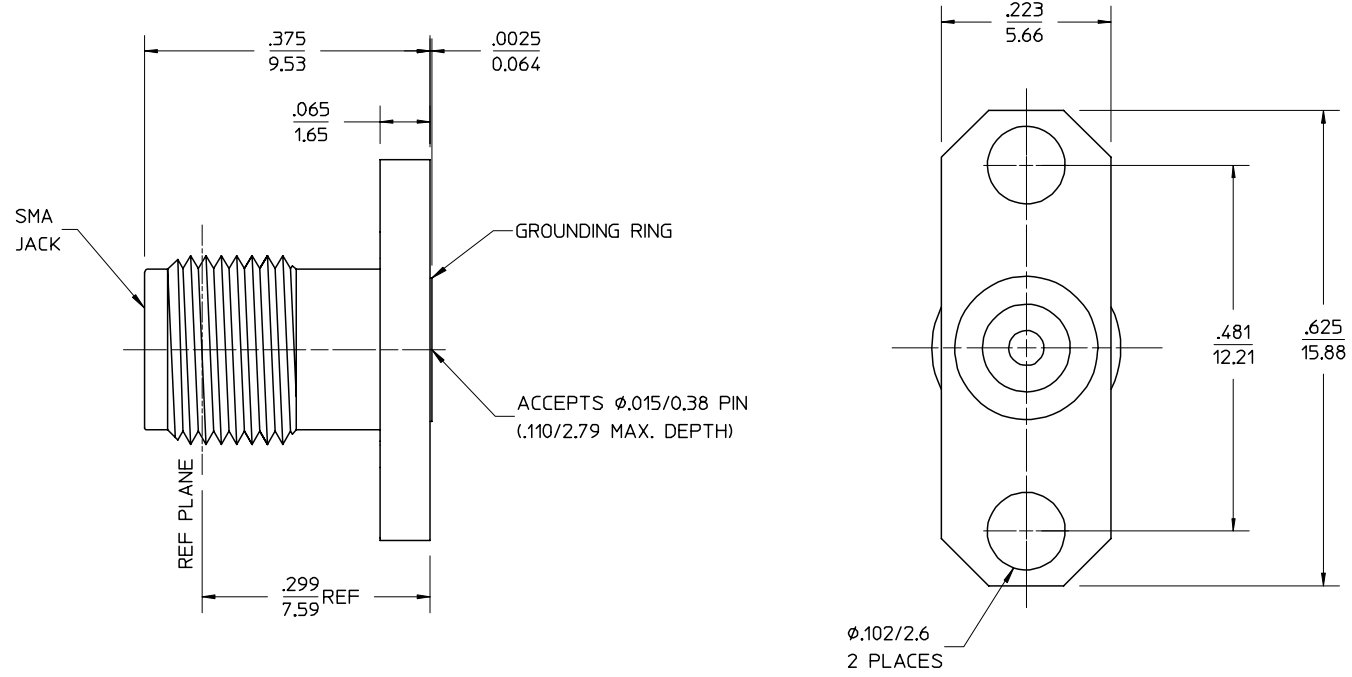


MATERIALS AND FINISHES:
 BODY STAINLESS STEEL
 PASSIVATED

 CENTER CONTACT BERYLLIUM COPPER
 PLATED GOLD

 INSULATOR TEFLON



PART # 73251-0940

MIL-STD-348, FIGURE 310-2	INTERFACE
PS-89675-2910	ELECTRO/MECH PERFORMANCE
SPECIFICATION	DESCRIPTION

CHG: NEW RELEASE	EC NO. URF-0233	DESCRIPTION	UNLESS OTHERWISE SPECIFIED DIMS ARE INCHES AND ANGLES ARE DEGREES. 1. ✓ 63 ALL OVER. 2. NO CHATTER OR NON-UNIFORM SURFACE FINISH ALLOWED. 3. PARTS TO BE FREE OF BURRS & SHARP EDGES .005 MAX BREAK. 4. EXTERNAL THREADS TO BE ROLLED OR SINGLE POINT. 5. DIAMETERS TO BE CONCENTRIC WITHIN .003 TIR.
	DRWN: TEF 06/21/99		
	CHK: DHG 06/21/99	REV	
	APPR: GMH 06/21/99	A	

QUALITY SYMBOLS	GENERAL TOLERANCES: (UNLESS SPECIFIED)	SCALE	DESIGN UNITS	THIRD ANGLE PROJECTION	DIMENSIONS:
MAJOR	mm	INCH	mm <input type="checkbox"/> INCH <input checked="" type="checkbox"/>	<input type="checkbox"/> mm <input checked="" type="checkbox"/> INCH <input type="checkbox"/> mm ONLY	
CRITICAL	4 PLACES ± .0005	3 PLACES ± .005	2 PLACES ± .01	1 PLACE ± .1	
	ANGULAR: ±2°		DRAFT WHERE APPLICABLE MUST REMAIN WITHIN DIMENSIONS		

DRAWN BY & DATE	EDC 02/19/99
CHECKED BY & DATE	DHG 02/19/99
APPROVED BY & DATE	GMH 02/19/99
CAD FILENAME	

TITLE: SMA JACK, RECEPTACLE, 2 HOLE FLANGE MOUNT, ACCEPTS .015 DIA PIN SMA-JR/F		MATERIAL NO. SEE NOTE		DRAWING NO. SD-73251-094		SHEET NO. 1 of 1	
MOLEX INCORPORATED		THIS DRAWING CONTAINS INFORMATION THAT IS PROPRIETARY TO MOLEX INCORPORATED AND SHOULD NOT BE USED WITHOUT WRITTEN PERMISSION.					
		SIZE B					