

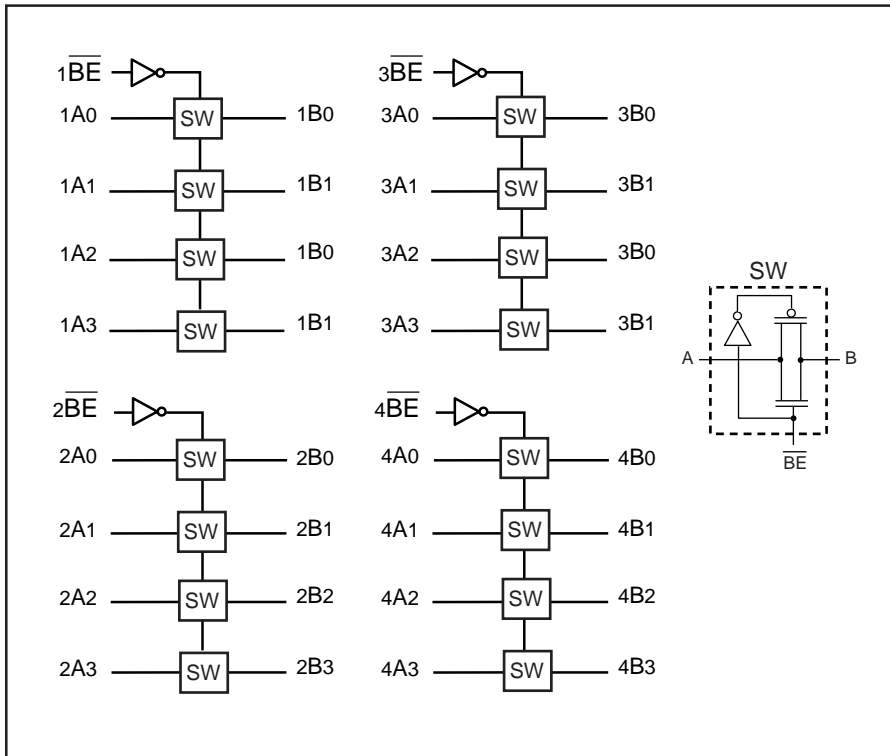
#### Features

- Near-Zero propagation delay
- 5-ohm switches connect inputs to outputs when enabled
- Fast Switching Speed - 4ns max.
- Pin compatible with 74 series 16244
- Operating Vcc: 3.0V to 3.6V
- Industrial operating temperature: -40°C to +85°C
- Packaging (Pb-free & Green available):
  - 48-pin 240 mil wide thin plastic TSSOP (A)
  - 48-pin 300 mil wide plastic SSOP (V)

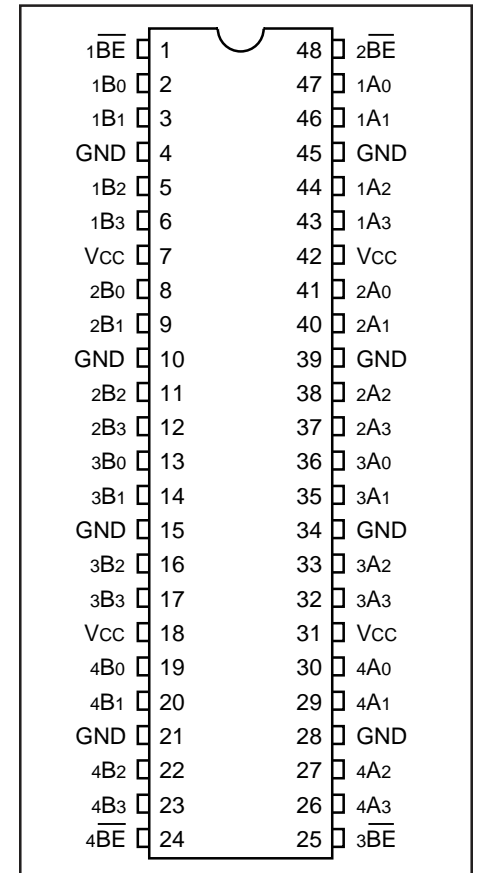
#### Description

Pericom Semiconductor's PI3B16244 is a 16-bit, 4-port bus switch that is pin compatible with the 74 series 16244 16-bit driver. Four enable signals (nBE) turn the switch on similar to the enable signals of the 16244. The bus switch creates no additional propagation delay or ground bounce noise.

#### Block Diagram



#### Pin Configuration



#### Truth Table<sup>(1)</sup>

Function	nBE	nA0-7
Disconnect	H	Hi-Z
Connect	L	nB0-7

#### Note:

1. H = High Voltage Level  
L = Low Voltage Level  
Hi-Z = High Impedance

#### Pin Description

Pin Name	I/O	Description
nBE	I	Bus Output Enable (Active Low)
nA0-nA7	I/O	Bus A
nB0-nB7	I/O	Bus B

### Maximum Ratings

(Above which useful life may be impaired. For user guidelines, not tested.)

Storage Temperature .....	-65°C to +150°C
Ambient Temperature with Power Applied .....	-40°C to +85°C
Supply Voltage Range .....	-0.5V to +4.6V
DC Input Voltage .....	-0.5V to +4.6V
DC Output Current .....	120mA
Power Dissipation .....	0.5W

**Note:**

Stresses greater than those listed under MAXIMUM RATINGS may cause permanent damage to the device. This is a stress rating only and functional operation of the device at these or any other conditions above those indicated in the operational sections of this specification is not implied. Exposure to absolute maximum rating conditions for extended periods may affect reliability.

### DC Electrical Characteristics (Over the Operating Range, $T_A = -40^\circ\text{C}$ to $+85^\circ\text{C}$ , $V_{CC} = 3.0\text{V}$ to $3.6\text{V}$ )

Parameters	Description	Test Conditions <sup>(1)</sup>	Min.	Typ. <sup>(2)</sup>	Max.	Units
$V_{IH}$	Input HIGH Voltage	Guaranteed Logic HIGH Level	2.0			V
$V_{IL}$	Input LOW Voltage	Guaranteed Logic LOW Level	-0.5		0.8	V
$I_{IH}$	Input HIGH Current	$V_{CC} = \text{Max.}, V_{IN} = V_{CC}$			$\pm 1$	$\mu\text{A}$
$I_{IL}$	Input LOW Current	$V_{CC} = \text{Max.}, V_{IN} = \text{GND}$			$\pm 1$	
$I_{OZH}$	High Impedance Output Current	$0 \leq A, B \leq V_{CC}$			$\pm 1$	
$V_{IK}$	Clamp Diode Voltage	$V_{CC} = \text{Min.}, I_{IN} = -18\text{mA}$		-0.7	-1.2	V
$R_{ON}$	Switch ON Resistance <sup>(3)</sup>	$V_{CC} = \text{Min.}, V_{IN} = 0.0\text{V}, I_{ON} = 48\text{mA}$		5	8	$\Omega$
		$V_{CC} = \text{Min.}, V_{IN} = 2.4\text{V}, I_{ON} = 15\text{mA}$		10	15	

### Capacitance ( $T_A = 25^\circ\text{C}$ , $f = 1\text{MHz}$ )

Parameters <sup>(4)</sup>	Description	Test Conditions	Typ.	Units
$C_{IN}$	Input Capacitance	$V_{IN} = 0\text{V}$	3.0	$\text{pF}$
$C_{OFF}$	A/B Capacitance, Switch Off		8.5	
$C_{ON}$	A/B Capacitance, Switch On		17.0	

**Notes:**

- For Max. or Min. conditions, use appropriate value specified under Electrical Characteristics for the applicable device type.
- Typical values are at  $V_{CC} = 3.3\text{V}$ ,  $T_A = 25^\circ\text{C}$  ambient and maximum loading.
- Measured by the voltage drop between A and B pin at indicated current through the switch. On-Resistance is determined by the lower of the voltages on the two (A,B) pins.
- This parameter is determined by device characterization but is not production tested.

### Power Supply Characteristics

Parameters	Description	Conditions <sup>(1)</sup>		Min.	Type <sup>(2)</sup>	Max.	Units
I <sub>CC</sub>	Quiescent Power Supply Current	V <sub>CC</sub> = Max.	V <sub>IN</sub> = GND or V <sub>CC</sub>	—	—	10	μA
ΔI <sub>CC</sub>	Supply Current per Input @ TTL HIGH	V <sub>CC</sub> = Max.	V <sub>IN</sub> = 3.0V <sup>(3)</sup>	—	—	750	
I <sub>CCD</sub>	Supply Current per Input per MHz <sup>(4)</sup>	V <sub>CC</sub> = Max., A and B Pins Open Control Input Toggling 50% Duty Cycle		—	—	0.25	mA/ MHz

#### Notes:

- For Max. or Min. conditions, use appropriate value specified under Electrical Characteristics for the applicable device.
- Typical values are at V<sub>CC</sub> = 3.3V, +25°C ambient.
- Per TTL driven input (control inputs only); A and B pins do not contribute to I<sub>CC</sub>.
- This current applies to the control inputs only and represent the current required to switch internal capacitance at the specified frequency. The A and B inputs generate no significant AC or DC currents as they transition. This parameter is not tested, but is guaranteed by design.

### Switching Characteristics over Operating Range

Parameters	Description	Conditions <sup>(1)</sup>	Com.		Units
			Min.	Max.	
t <sub>PLH</sub> t <sub>PHL</sub>	Propagation Delay <sup>(2,3)</sup> Ax to Bx, Bx to Ax	C <sub>L</sub> = 50pF R <sub>L</sub> = 500Ω		0.25	ns
t <sub>PZH</sub> t <sub>PZL</sub>	Bus Enable Time BEx to Ax or Bx	C <sub>L</sub> = 50pF R <sub>L</sub> = 500Ω R = 500Ω	1	4.5	
t <sub>PHZ</sub> t <sub>PLZ</sub>	Bus Disable Time BEx to Ax or Bx		1	5.0	

#### Notes:

- See test circuit and waveforms.
- This parameter is guaranteed but not tested on Propagation Delays.
- The bus switch contributes no propagational delay other than the RC delay of the On-Resistance of the switch and the load capacitance. The time constant for the switch alone is of the order of 0.25ns for 50pF load. Since this time constant is much smaller than the rise/fall times of typical driving signals, it adds very little propagational delay to the system. Propagational delay of the bus switch when used in a system is determined by the driving circuit on the driving side of the switch and its interaction with the load on the driven side.

### Applications Information

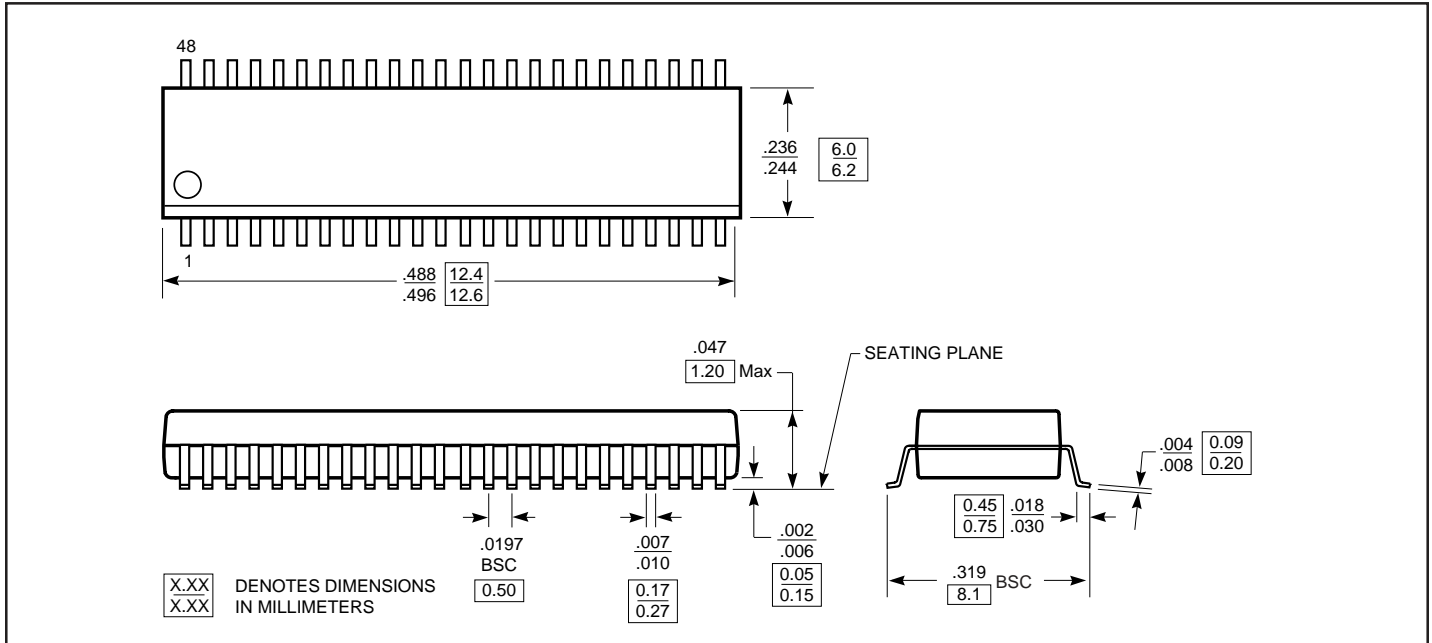
#### Logic Inputs

Logic control inputs can be driven up to +5.5V regardless of the supply voltage. For example, given a 5.0V supply, the control or select pins may be driven low to 0V and high to 5.5V. Driving the control or select pins Rail-toRail<sup>®</sup> minimizes power consumption.

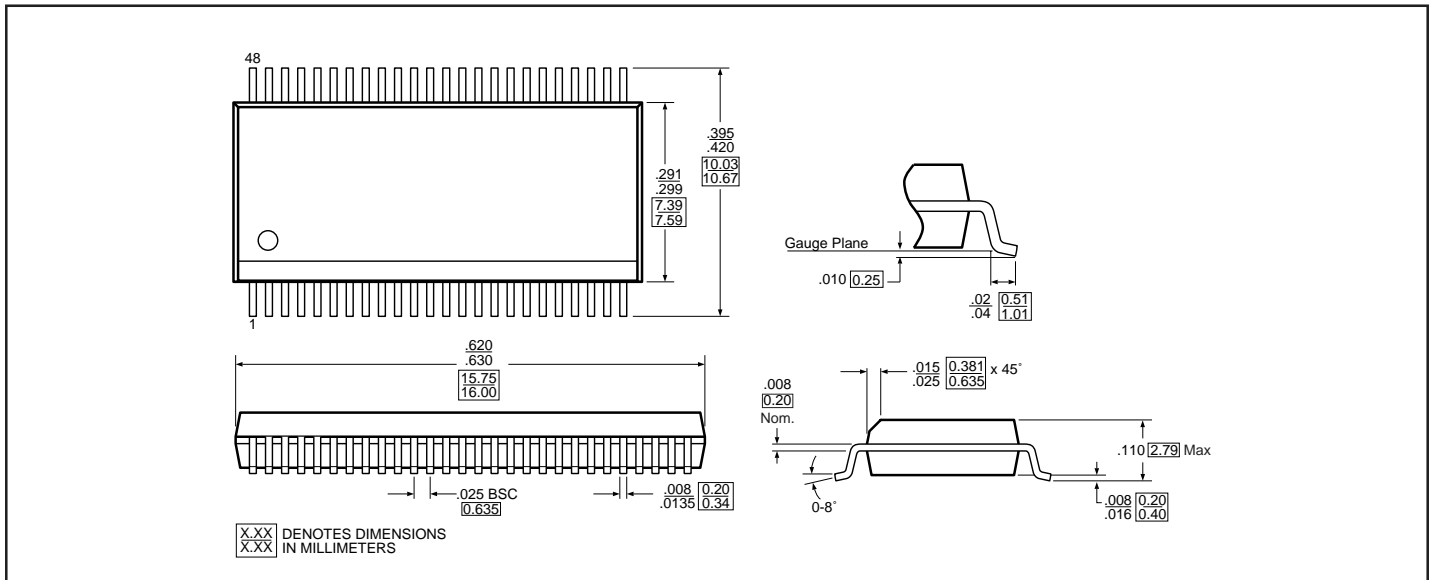
#### Power-Supply Sequencing and Hot Plug Information

Proper power-supply sequencing is recommended for all CMOS devices. Always apply V<sub>CC</sub> and GND before applying signals to the input/output or control pins.

**Packaging Mechanical: 48-pin 240 Mil-Wide Thin Plastic TSSOP (A)**



**Packaging Mechanical: 48-pin 300 Mil-Wide Plastic SSOP (V)**





**Ordering Information**

Ordering Code	Package Code	Package Type
PI3B16244A	A	48-pin TSSOP
PI3B16244AE	A	Pb-free & Green, 48-pin TSSOP
PI3B16244V	V	48-pin SSOP
PI3B16244VE	V	Pb-free & Green, 48-pin SSOP

**Notes:**

1. Thermal characteristics can be found on the company web site at [www.pericom.com/packaging/](http://www.pericom.com/packaging/)