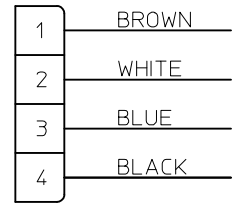
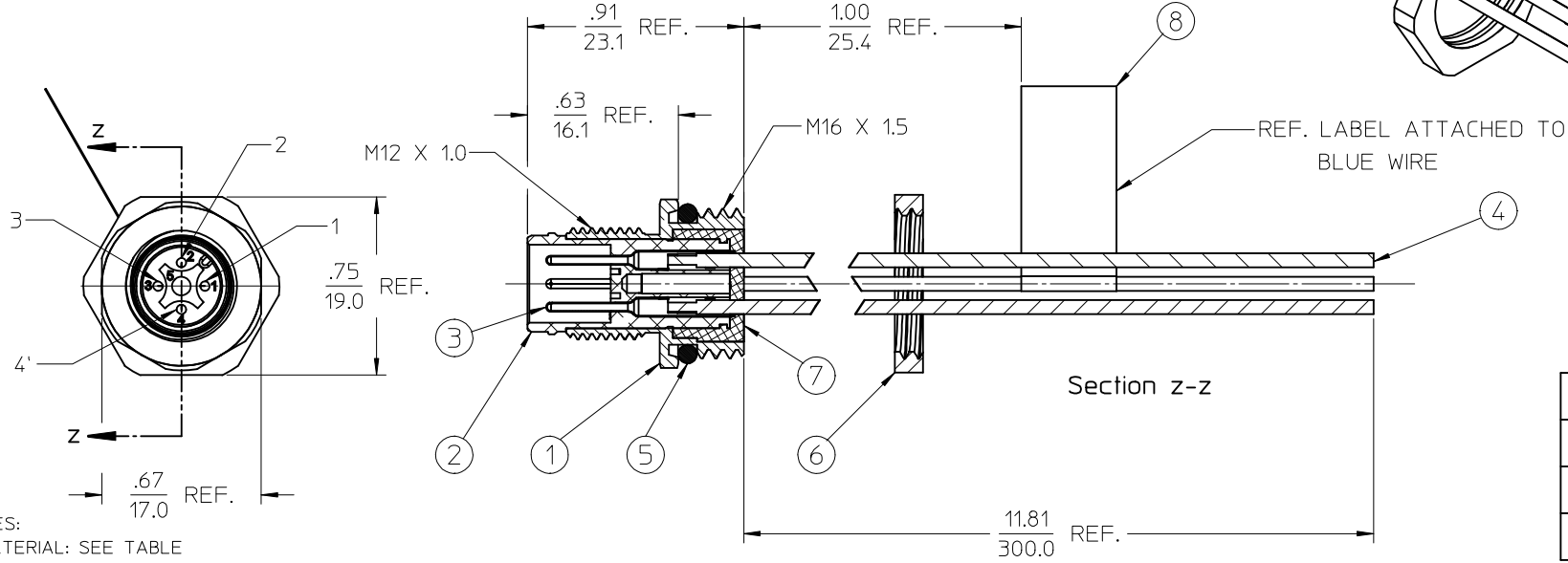
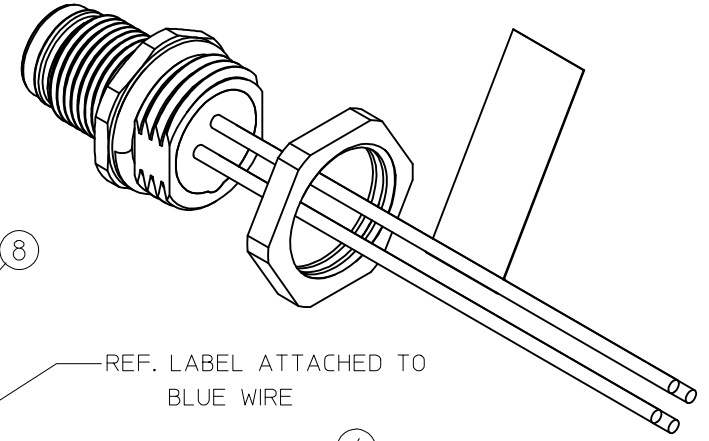
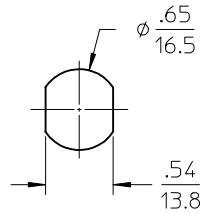


MATERIAL NO.	ENGINEERING NO.
1200250005	VWR4U26E03C300



- NOTES:
1. MATERIAL: SEE TABLE
 2. FINISHES: SEE TABLE
 3. MATES WITH: ULTRA-LOCK FEMALE CORD ASSY
 4. ELECTRICAL SPECIFICATIONS:
VOLTAGE RATING: 250V
CURRENT RATING: 4 AMPS
 5. ASSEMBLY IS RoHS COMPLIANT

8	1	LABEL	PLASTIC FILM	BLACK/YELLOW
7	1	POTTING MATERIAL	EPOXY	
6	1	PANEL NUT, M16 X 1.5	Cu ALLOY	NICKEL PLATED
5	1	O-RING	BUNA-N	BLACK
4	4	WIRE, 22 AWG (.34mm ²)	PVC INSULATED	SEE WIRE DIAGRAM
3	4	CONTACT PIN	Cu ALLOY	GOLD PLATED
2	1	INSERT	NYLON	BLACK
1	1	RECEPTACLE SHELL	BRASS	NICKEL PLATED
ITEM	QTY.	DESCRIPTION	MATERIAL	FINISH

RELEASED
 EC NO: WNA2009-0745
 DR: R. STONE 2009/05/14
 CHK: B. WOODMAN
 APPR: J. MURPHY 2009/05/15

QUALITY SYMBOLS
 ▽=0
 ▽=0

GENERAL TOLERANCES (UNLESS SPECIFIED)

	mm	INCH
4 PLACES	± .---	± .---
3 PLACES	± .---	± .---
2 PLACES	± .---	± .01
1 PLACE	± 0.3	± .---
ANGULAR ± 1/2°		

DRAFT WHERE APPLICABLE
 MUST REMAIN WITHIN DIMENSIONS

DIMENSION STYLE IN/MM

DRAWN BY	DATE
R. STONE	2009/05/13
CHECKED BY	DATE
B. WOODMAN	2009/05/14
APPROVED BY	DATE
J. MURPHY	2009/05/18

MATERIAL NO. SEE CHART

SCALE 2:1 DESIGN UNITS INCH THIRD ANGLE PROJECTION

TITLE
**ULTRA-LOCK RECEPTACLE
 MALE, 4/C, A-CODE
 FRONT MT, M16 THREAD**

molex MOLEX INCORPORATED

DOCUMENT NO. SD-120025-001 SHEET NO. 1 OF 1

THIS DRAWING CONTAINS INFORMATION THAT IS PROPRIETARY TO MOLEX INCORPORATED AND SHOULD NOT BE USED WITHOUT WRITTEN PERMISSION