

THIS DRAWING IS UNPUBLISHED.

RELEASED FOR PUBLICATION

2006

© COPYRIGHT 2006 BY -

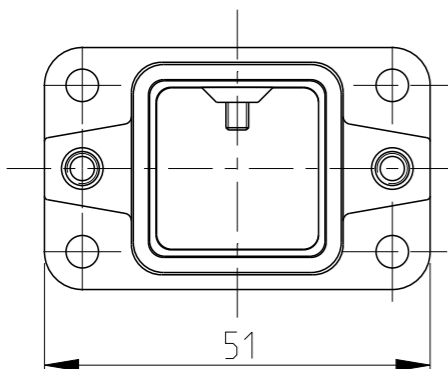
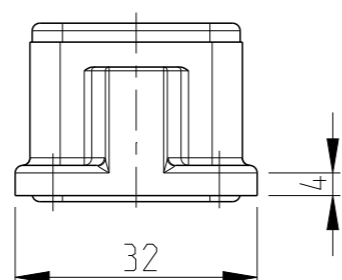
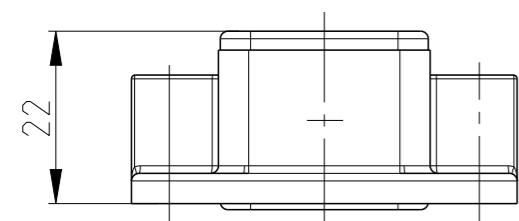
ALL RIGHTS RESERVED.

LOC
A1

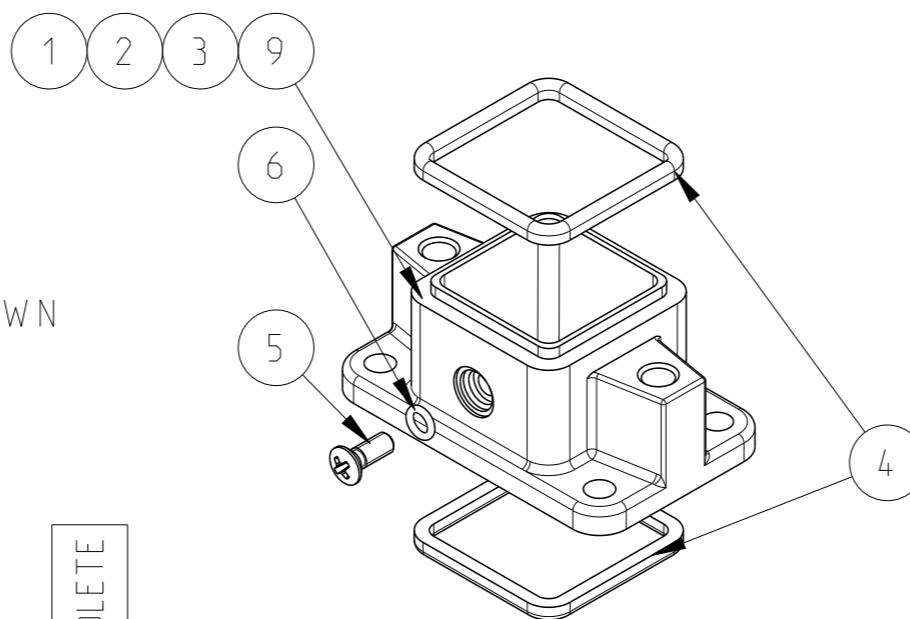
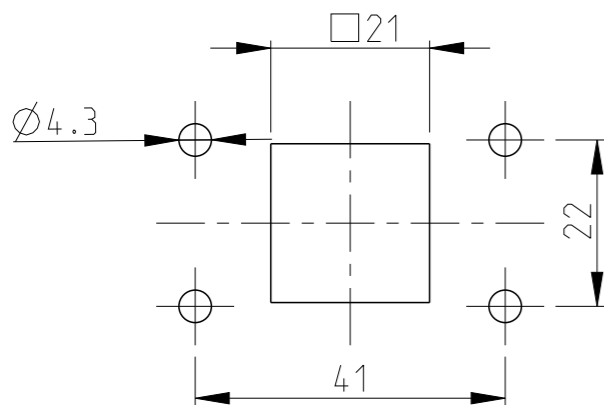
DIST
-

REVISIONS

P	LTR	DESCRIPTION	DATE	DWN	APVD
B1		ECR-16-009320	15DEC2016	GCM	MKO
B2		ECR-16-015318	17AUG2017	GR	MKO
C		ECR-17-017420	30NOV2017	GCM	JB
C1		ECR-21-123594	27JAN2022	RK	JB



PN 1-5 AS SHOWN



Notes

- 1 SUITABLE HOUSINGS: SERIES HIP, SIZE 1
CUSTOMER DRAWING 1102600, 1106408, 1106200
- 2 STANDARDS:
DIN EN 61984, DIN EN 60664-1
- 3 TOOL:
PHILLIPS SCREWDRIVER PH1.
- 4 VARNISH ON INSIDE AREA NOT NECESSARY
- 5 PACKAGING:
10 SETS IN A CARTON

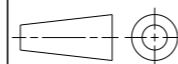
OB	OB	OB	OB	DESCRIPTION	MATERIAL	COLOR/SURFACE	NOTE	ITEM
1				BULKHEAD HOUSING	ALU	BLACK	SERIES HIP-K - WITHOUT LOGO	9
	x	x	-	GLUE	CYANACRYLAT	BLACK	LOCTITE 480	8
	-	-	x	GLUE	CYANACRYLAT	NATURAL	LOCTITE 401	7
1	1	1	1	O - RING	NBR	BLACK	3.0x1.0	6
1	1	1	1	SCREW COUNTERSUNK RAISED HEAD	STAINL. STEEL V2A	-	M3x8 PH1 DIN EN ISO 7047	5
2	2	2	2	PROFILE SEAL	FKM	BLACK	SERIES EMV / HIP	4
	1	-	-	BULKHEAD HOUSING	ALU	BLACK	SERIES HIP-K WEIDMÜLLER LOGO	3
	-	1	-	BULKHEAD HOUSING	ALU	BLACK	SERIES HIP-K	2
	-	-	1	BULKHEAD HOUSING	ALU	GREY	SERIES HIP	1
0-2	0-1	2-5	1-5					
				PN/QTY				

PARTS LIST (PER ONE UNIT)

OB	0-2	HIP-K.3/4.AG-N
OB	0-1	HIP-K.3/4.AG.WE
	2-5	HIP-K.3/4.AG
OB	1-5	HIP.3/4.AG
	PART NO.	ORDERING TEXT

THIS DRAWING IS A CONTROLLED DOCUMENT.

DIMENSIONS:
mm



TOLERANCES UNLESS OTHERWISE SPECIFIED:

0 PLC	±
1 PLC	±
2 PLC	±
3 PLC	±
4 PLC	±
ANGLES	±1°
FINISH	-

MATERIAL -

DWN V.GLUMM 12AUG2009

CHK H.Braun 12AUG2009

APVD T.Schnurpfeil 12AUG2009

PRODUCT SPEC -

APPLICATION SPEC -

WEIGHT -

CUSTOMER DRAWING



TE Connectivity

NAME
BULKHEAD HOUSING ASS'Y, BOTTOM ENTRY
SERIES HIP, SIZE 1

SIZE CAGE CODE DRAWING NO RESTRICTED TO

A3 00779 C-1102603

SCALE 1:1 SHEET 1 OF 1 REV C1