



36x36x28mm

- **Airflow:** 18.74~24.99 CFM
- **Static Pressure:** 36.63~65.09 mm-H₂O
- **Blade / Housing:** Plastic Material UL 94V-0 P.B.T.
- **Lead Wire:** UL1061 #28 AWG
- **Weight:** 46.5g

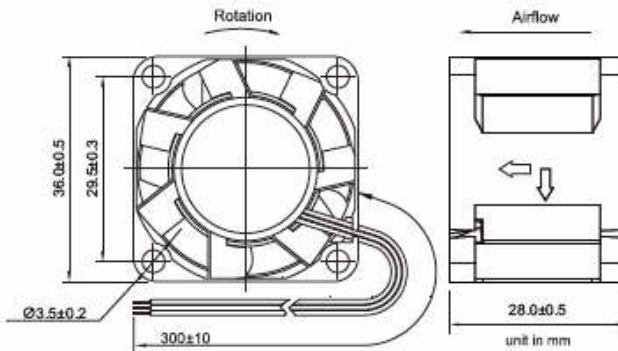
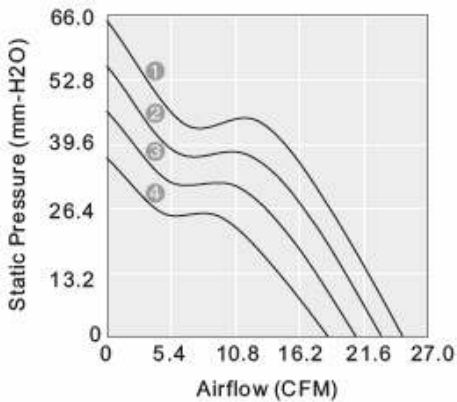
Model No.	Bearing	Rated Voltage	Operating Voltage Range	Speed	Max. Airflow	Max. Static Pressure	Current	Power Consumption	Life at 40°C L10	P-Q Curve	Noise Level
		VDC	VDC	RPM	CFM	mm-H ₂ O	mA	W	Hour		dB(A)
XYW03628012BM	2B	12	7~13.2	17000	18.74	36.63	500	6.00	80000	4	56.0
XYW03628012BH	2B		7~13.2	19000	21.05	46.40	650	7.80	75000	3	59.5
XYW03628012BS	2B		7~13.2	21000	23.22	55.71	850	10.20	65000	2	61.0
XYW03628012BSS	2B		7~13.2	23000	24.99	65.09	1000	12.00	65000	1	63.0

2B: 2-ball bearing L: sintetico bearing S: sleeve bearing

Voltage Available
05 12 24 48

Bearing System Available
2B L S

Function Available
1 6 5 4 3 2 7 8 9 10 11 12 13 14



Please refer to *Model Numbering System* for bearing, function and speed level indication.

DC AXIAL FAN

DC BLOWER

XTREME SERIES

AC AXIAL FAN