

AXL P FBPS 28DC/0.5A - Power module



2316394

<https://www.phoenixcontact.com/us/products/2316394>

Please be informed that the data shown in this PDF document is generated from our online catalog. Please find the complete data in the user documentation. Our general terms of use for downloads are valid.



Axioline P redundant power supply plug for the PROFIBUS PA power supply base. Provides 500 mA @ 28 V DC to Fieldbus couplers along the trunk.

Product description

The AXL P FBPS 28DC/0.5A is a redundant, 500 mA PROFIBUS PA power supply plug with integrated PROFIBUS PA diagnostics and load sharing capabilities.

Commercial data

Item number	2316394
Packing unit	1 pc
Sales key	DR06
Product key	DRIP53
Catalog page	Page 99 (C-6-2019)
GTIN	4055626368368
Weight per piece (including packing)	147.7 g
Weight per piece (excluding packing)	120 g
Customs tariff number	85044083
Country of origin	US

AXL P FBPS 28DC/0.5A - Power module



2316394

<https://www.phoenixcontact.com/us/products/2316394>

Technical data

Input data

Input voltage	24 V DC
Nominal input voltage range	18.5 V DC ... 30.5 V DC
Input voltage range DC	18.5 V DC ... 30.5 V DC
Short-term input voltage	24 V DC
Current consumption	max. 1.35 A

Output data

Output voltage range	28 V DC ... 30 V DC (on the trunk)
Power dissipation	2.5 W (typical)
Connection in parallel	yes, for redundancy
Connection in series	No

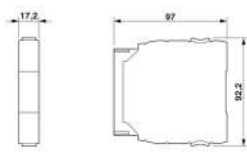
Product properties

Product type	Power supply
Product family	Axioline P

Insulation characteristics

Overvoltage category	II
Degree of pollution	2

Dimensions

Dimensional drawing	
Width	17 mm
Height	92 mm
Depth	97 mm

Mounting

Assembly instructions	Plug-in connections may only be operated only when there is no load/voltage.
-----------------------	--

Environmental and real-life conditions

Ambient conditions

Degree of protection	IP20
Ambient temperature (operation)	-40 °C ... 70 °C
Ambient temperature (storage/transport)	-40 °C ... 85 °C
Maximum altitude	2000 m
Permissible humidity (operation)	5 % ... 95 %

2316394

<https://www.phoenixcontact.com/us/products/2316394>

Shock	15g
Vibration (operation)	2g

Standards and regulations

Standards/specifications	Ring wave noise immunity in acc. with IEC 61000-4-12
Standard designation	PROFIBUS standardization
Standards/specifications	IEC 61158-2

Approvals

ATEX

Identification	⊕ II 3 G Ex ec IIC T4 Gc
Certificate	IBExU 18ATEXB018 X

IECEX

Identification	Ex ec IIC T4 Gc
Certificate	IECEX IBE 18.0023X

UKCA Ex (UKEX)

Identification	II 3G Ex ec IIC T4 Gc X
----------------	-------------------------

Ex data

UL, USA / Canada	Class I, Div. 2, Groups A, B, C, D T4 Class I, Zone 2, IIC T4
------------------	--

Notes

Utilization restriction

EMC note	EMC: class A product, see manufacturer's declaration in the download area
----------	---

Utilization restriction

CCCEX note	Use in potentially explosive areas is not permitted in China.
------------	---

AXL P FBPS 28DC/0.5A - Power module

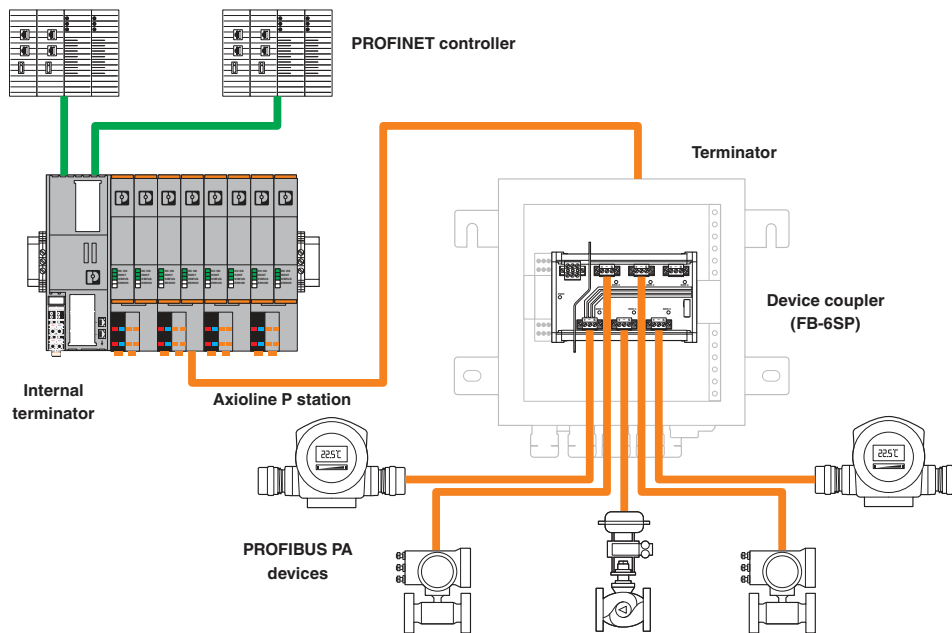


2316394

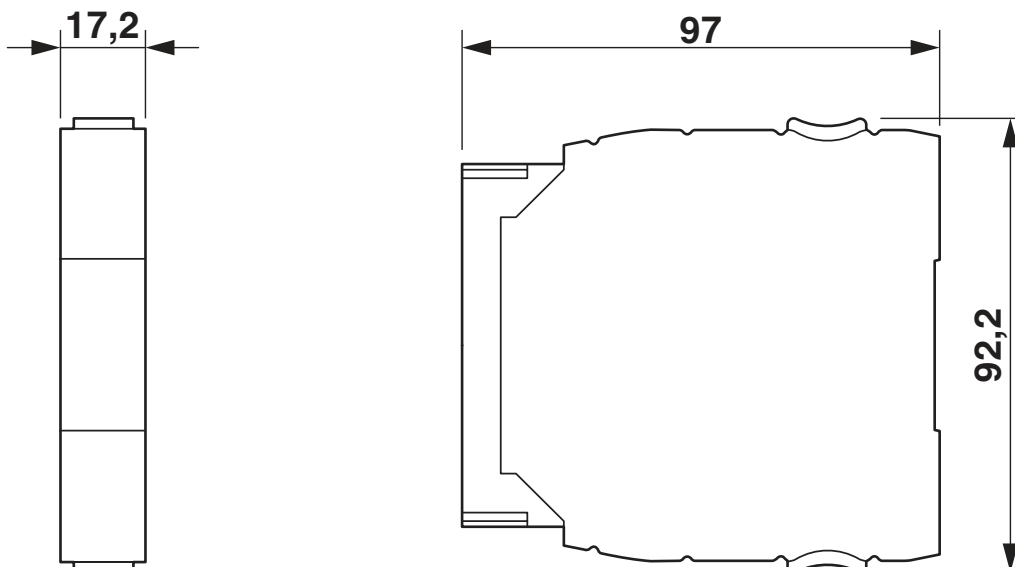
<https://www.phoenixcontact.com/us/products/2316394>

Drawings

Application drawing



Dimensional drawing



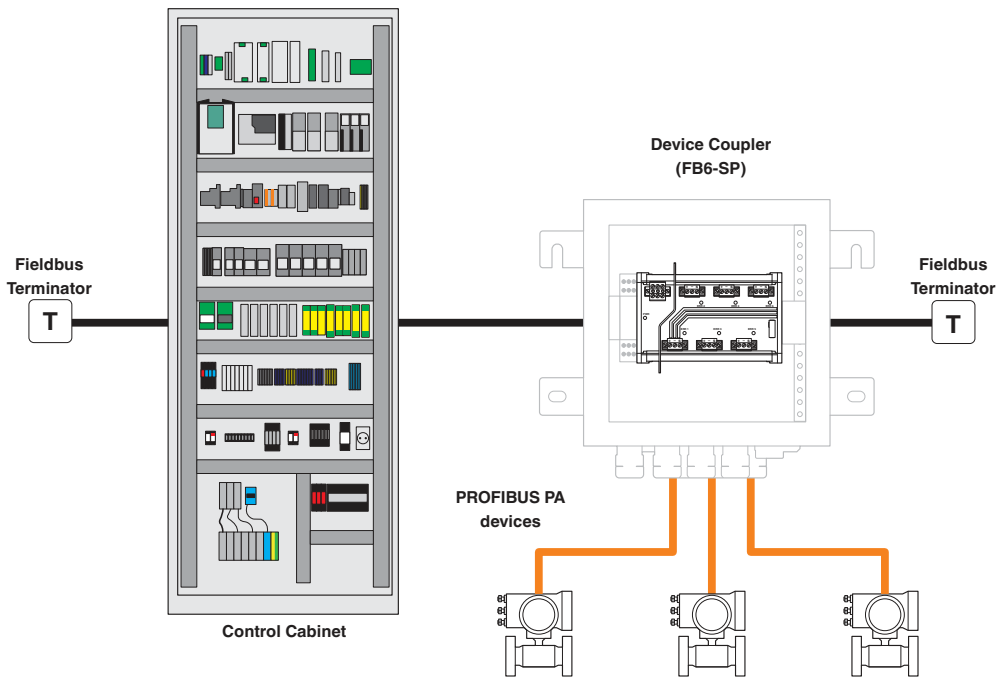
AXL P FBPS 28DC/0.5A - Power module



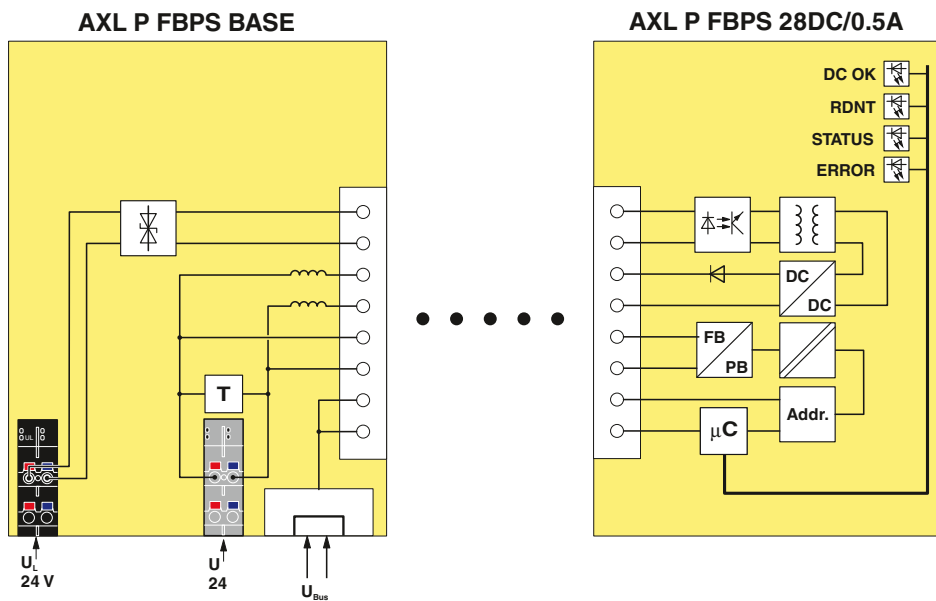
2316394

<https://www.phoenixcontact.com/us/products/2316394>

Application drawing



Block diagram



AXL P FBPS 28DC/0.5A - Power module



2316394

<https://www.phoenixcontact.com/us/products/2316394>

Approvals

To download certificates, visit the product detail page: <https://www.phoenixcontact.com/us/products/2316394>



EAC

Approval ID: RU C-DE.**08.B.00520



UL Listed

Approval ID: FILE E 238705



cUL Listed

Approval ID: FILE E 238705



IECEx

Approval ID: IECEx IBE 18.0023X



cUL Listed

Approval ID: FILE E 196811



UL Listed

Approval ID: FILE E 196811



ATEX

Approval ID: IBExU 18 ATEX B018 X



CCC

Approval ID: 2021122303114874

cULus Listed

cULus Listed

AXL P FBPS 28DC/0.5A - Power module



2316394

<https://www.phoenixcontact.com/us/products/2316394>

Classifications

ECLASS

ECLASS-11.0	27242611
ECLASS-12.0	27242611
ECLASS-13.0	27242611

ETIM

ETIM 8.0	EC002583
----------	----------

UNSPSC

UNSPSC 21.0	32151600
-------------	----------

AXL P FBPS 28DC/0.5A - Power module



2316394

<https://www.phoenixcontact.com/us/products/2316394>

Environmental product compliance

REACH SVHC	Lead 7439-92-1
China RoHS	Environmentally Friendly Use Period = 25; For information on hazardous substances, refer to the manufacturer's declaration available under "Downloads"

AXL P FBPS 28DC/0.5A - Power module

2316394

<https://www.phoenixcontact.com/us/products/2316394>

Mandatory accessories

AXL P FBPS BASE - Base module

2316393

<https://www.phoenixcontact.com/us/products/2316393>



Axioline P base for PROFIBUS PA power supply plugs. Provides Fieldbus power supply redundancy when two plugs are installed.

Accessories

AXL P BK PN AF - Bus coupler

2316390

<https://www.phoenixcontact.com/us/products/2316390>



Axioline P bus coupler for PROFINET. Connects to PROFIBUS PA power supplies and Axioline P I/O modules along the AXIOLINE P local bus. (includes power supply connector and bus base module)

AXL P FBPS 28DC/0.5A - Power module

2316394

<https://www.phoenixcontact.com/us/products/2316394>



AXL P TERM PAIR - Termination block

2316402

<https://www.phoenixcontact.com/us/products/2316402>



Axioline P terminator pair

AXL P BS 35 - Bus connector

2316396

<https://www.phoenixcontact.com/us/products/2316396>



Axioline P bus base module for housing type FBPS base

Phoenix Contact 2023 © - all rights reserved
<https://www.phoenixcontact.com>

Phoenix Contact USA
586 Fulling Mill Road
Middletown, PA 17057, United States
(+717) 944-1300
info@phoenixcon.com