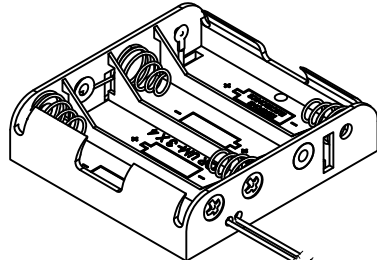
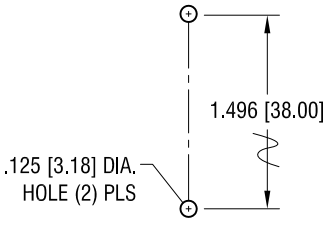


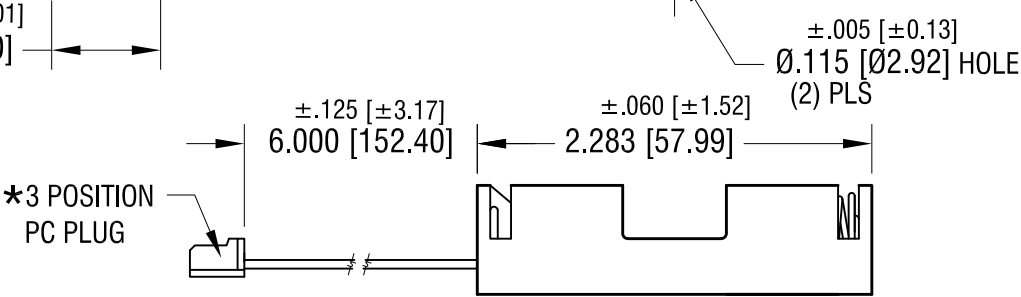
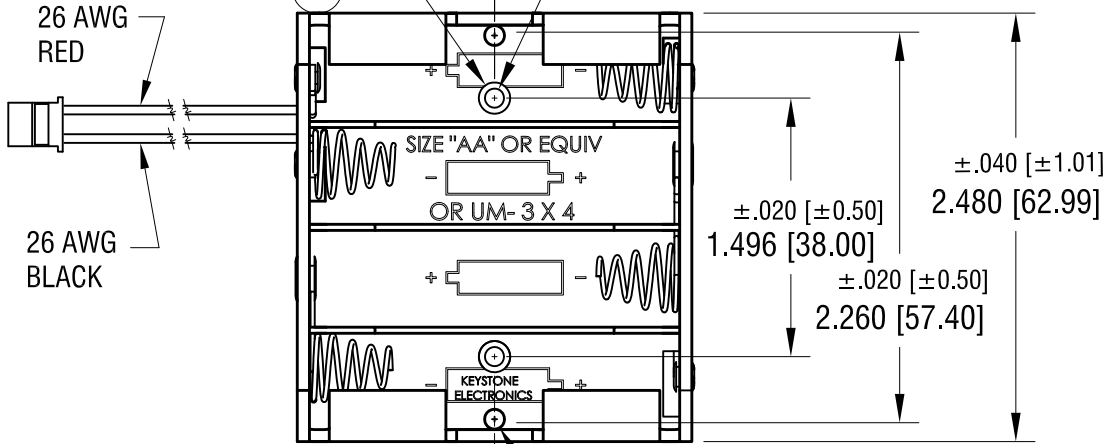
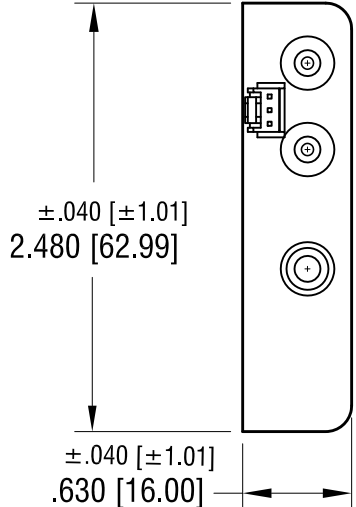
THIS DOCUMENT IS THE PROPERTY OF KEYSTONE ELECTRONICS CORP. AND SHALL NOT BE REPRODUCED, DISTRIBUTED OR USED AS A BASIS FOR MANUFACTURE WITHOUT PRIOR WRITTEN PERMISSION FROM KEYSTONE ELECTRONICS CORP.

MOUNTING DETAIL



$\pm .008$ [± 0.20]
 $\varnothing .181$ [$\varnothing 4.60$]
 (2) COUNTER SINK

A1
 $\pm .008$ [± 0.20]
 $\varnothing .110$ [$\varnothing 2.80$]
 (2) PLS HOLE



- NOTE:
1. HOLDER: MAT'L: POLYPROPYLENE
 2. SPRING: MAT'L: MUSIC WIRE, .027 [0.70] DIA.
 FINISH: NICKEL PLATE
 3. CONNECTOR: MAT'L - PA 66, UL94V-0
 COLOR- NATURAL
 4. POSITIVE (RED) CONNECTED TO PIN 1
 NEGATIVE (BLACK) CONNECTED TO PIN 3

*USE : P/N'S 974,975, 976 OR 977 FOR P.C. CONNECTOR

KEYSTONE ELECTRONICS CORP.			
www.keyelco.com • NEW HYDE PARK, NY 11040 • Tel (516) 328-7500			
PART NAME		BATTERY HOLDER (4) 'AA'	
MATERIAL		AS NOTED	
FINISH	AS NOTED	DRN BY	NT
		DATE	4.08.16
		APP'D	RH
		SCALE	.9X
TOLERANCES	INCH [MM]	CODE	DWG NO.
DECIMAL	$\pm .015$ [± 0.38]	C	2478CN
ANGULAR	$\pm 1^\circ$		
UNLESS OTHERWISE SPECIFIED			

3.26.19	ECN 19-041 ADD (A1) AND (A2)	A
DATE	DESCRIPTION	REV.