

The **Centaurus J006** is a high-power light module that has been designed to mate perfectly with the Khatod PL1672 Series optic. Constructed on a Metal Core PCB, it is electrically isolated and ideal for a variety of general illumination applications. Combining with a PL1672 Series optic will allow the delivery of beam angles from a broad rectangular shape down to the Ultra-Narrow beam punch of four degrees (4°) with the option for an additional optic holder available. The **Centaurus** features CREE's XP-E2 and XP-G3 Series high-power LEDs to deliver consistency and crispness in virtually any application. Available in a variety of standard configurations or can be customized to meet specific requirements.

Features

- o Made in America design, quality and craftsmanship
- o Khatod PL1672 Series compatible
- o Metal Core PCB for enhanced thermal efficiency
- o Customization of specifications available



Specifications

Product		J006
General	Shape:	Circular
	LED Count:	1
	Optics:	Ultra Narrow, Narrow, Medium & Rectangular
	CCT:	2700K to 6500K
	CRI:	70+, 80+ & 90+
	Colors:	Available on request
	LED Manufacturer	CREE
Environment	Junction Temp:	-40 to 100° C
	Storage Temp:	-40 to 125° C
Mechanical	Connection:	2 Solder Pads
	Mounting Holes:	5
	Dimension:	1.3 inch (33mm)
	Weight:	0.11 oz (3.2 g)
Regulatory	Compliance:	RoHS
	Warranty:	1 Year

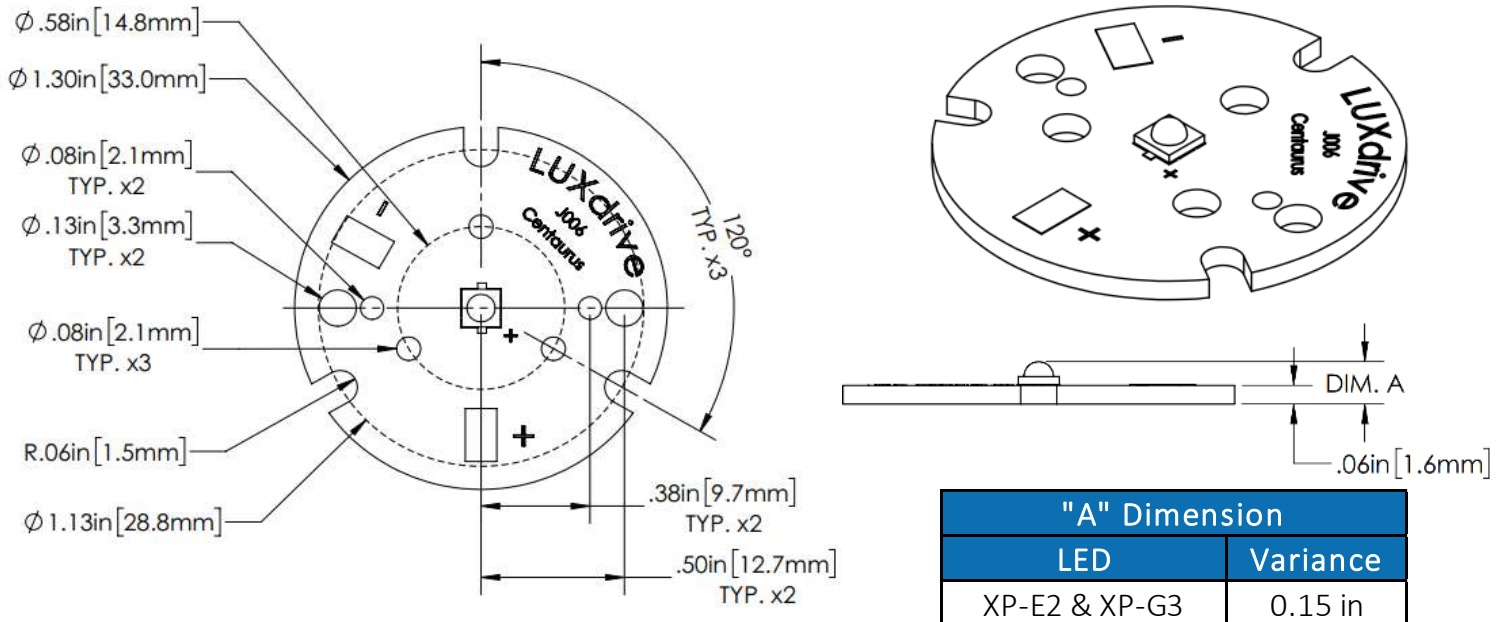
Electrical

LED Family	Max Current _{mA}	Typical Vf	Max Vf	CCT	CRI _{Min}	Lumens ¹	Beam Angle
CREE XP-E2	1000	3.1	3.5	2700K	80+	87	110°
				3000K		94	
				4000K		107	
				5000K	70+	100	
CREE XP-G3	2000	2.73	3	3000K	80+	139	125°
				4000K		139	
				5000K	70+	156	
				6500K		156	

¹ measured @350_{mA} and 85°C

* All specifications are subject to change without prior notification.

Mechanical



Ordering Detail

LED Family	Part Number	CCT	CRIMin	Lumens	Beam
CREE XP-E2	0J006-CE2827-Q2	2700K	80+	87	110°
	0J006-CE2830-Q3	3000K		94	
	0J006-CE2840-Q5	4000K		107	
	0J006-CE2750-Q4	5000K	70+	100	
CREE XP-G3	0J006-CG3830-R5	3000K	80+	139	125°
	0J006-CG3840-R5	4000K		139	
	0J006-CG3750-S3	5000K	70+	156	
	0J006-CG3765-S3	6500K		156	

* LEDynamics reserves the right to ship, equal to, or greater luminous flux LEDs.

Optics

Part Number ²	Description	XP-E2 FWHM	XP-G3 FWHM
KO-PL1672ME	Medium Beam Lens	23°	26°
KO-PL1672NA	Narrow Beam Lens	10°	11°
KO-PL1672UN	Ultra Narrow Beam Lens	4°	7°
KO-PL1672	Rectangular Beam Lens	11° x 17°	13° x 18°
KO-KE1672SA ³	Optic Holder + Adhesive	See Note 3	

² Khatod Optics

³ Using the optic holder affects the height of optic and changes the FWHM.

Consult www.Khatod.com for reports on the change to the FWHM.