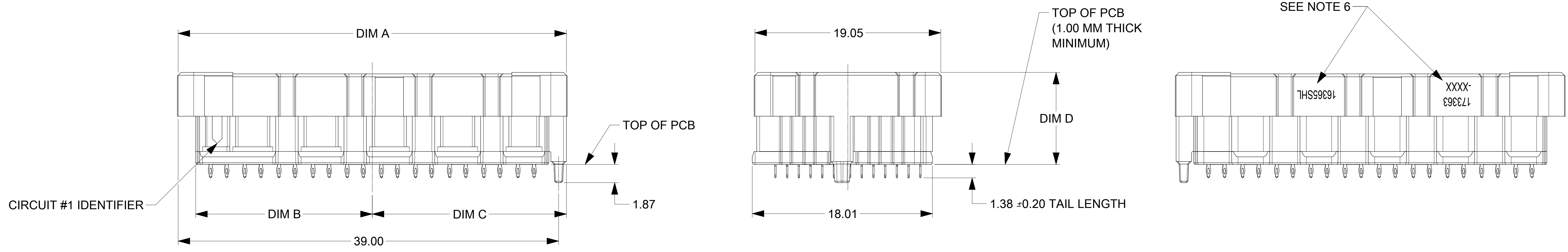
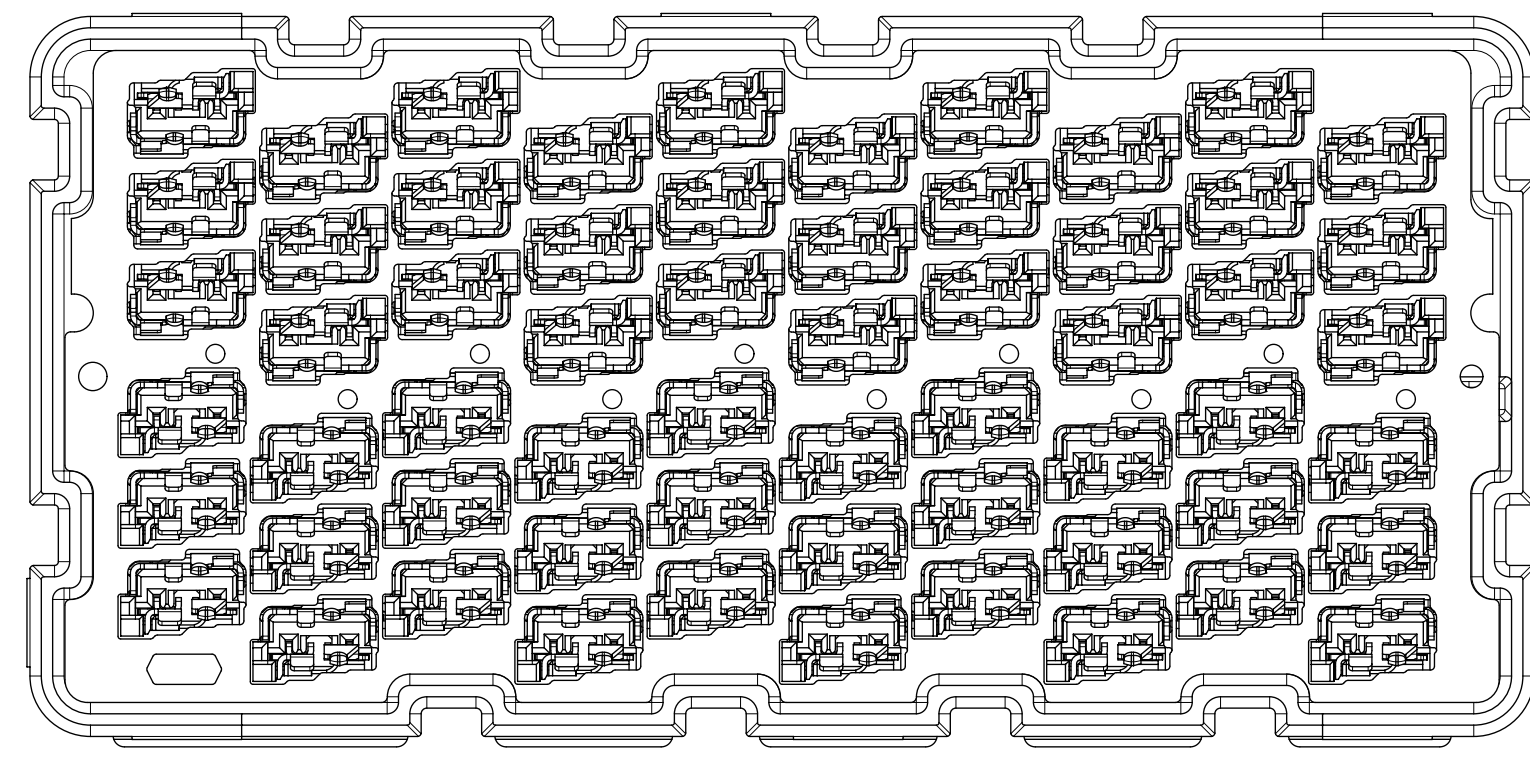


- NOTES:
- HOUSING MATERIAL: LCP, GLASS FILLED, UL 94V-0, BLACK
CONTACT MATERIAL: HIGH PERFORMANCE COPPER ALLOY
 - FINISH:
CONTACTS: SELECTIVE GOLD: 30 MICRO INCHES MINIMUM ON CONTACT AREA
SELECTIVE TIN ON COMPLIANT PIN OVER 50 MICRO INCHES MINIMUM
NICKEL OVERALL
 - PRODUCT SPECIFICATION: PS-172801-0001
 - PACKAGING SPECIFICATION: PK-173358-0001
 - APPLICATION SPECIFICATION: AS-172801-0001
 - PARTS TO BE MARKED WITH THE PART NUMBER AND DATE CODE.
FORMAT IS 2 DIGIT YEAR, 3 DIGIT DAY, 1 DIGIT HOUR (IF NEEDED), AND
ONE DIGIT ASSEMBLY LINE (IF NEEDED) BY MARKING THE HOUSING AS SHOWN.
 - THIS PART CONFORMS TO CLASS B REQUIREMENTS OF
MOLEX COSMETIC SPEC. PS-45499-002

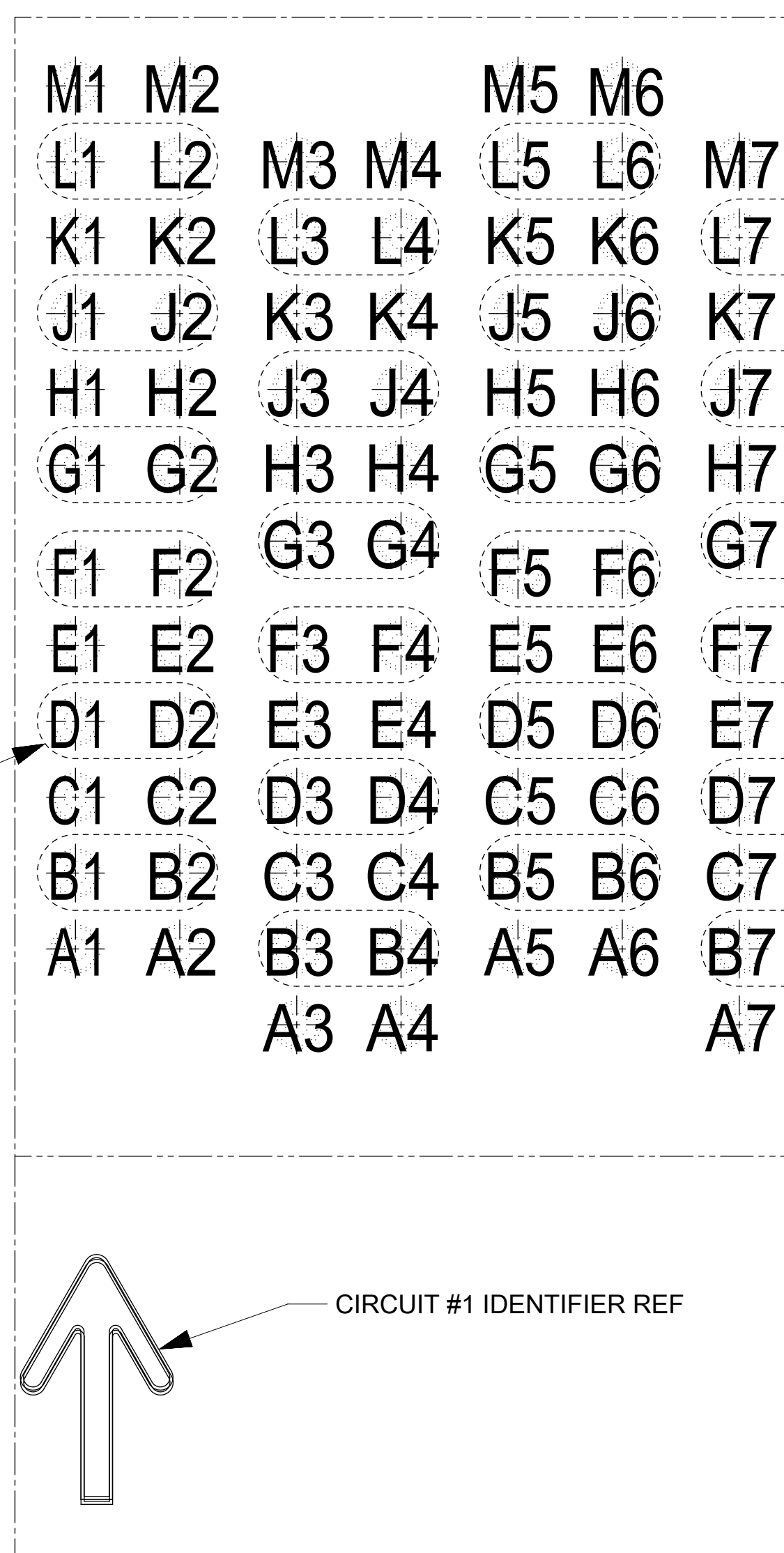
173363-0001 PLUG ASSEMBLY SHOWN



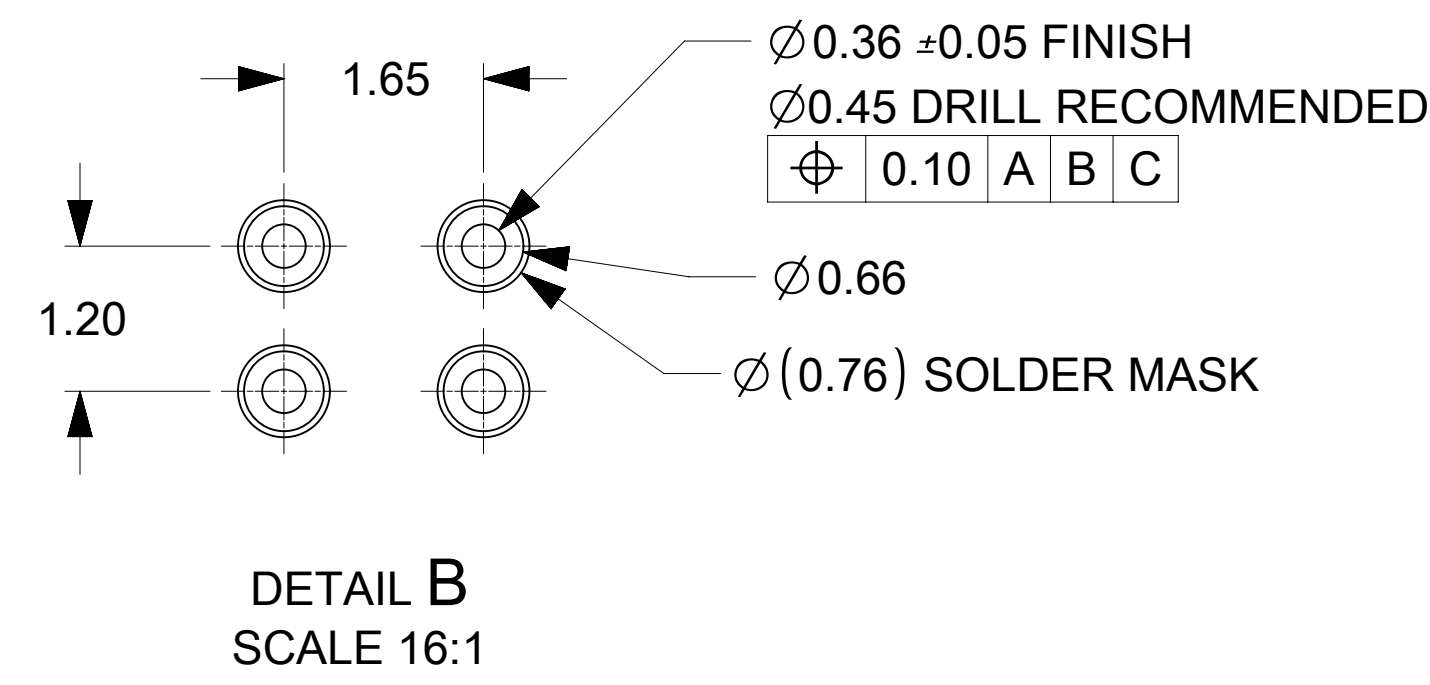
MATERIAL NUMBER	HEIGHT	NO. OF COLUMNS	DIM A	DIM B	DIM C	DIM D	TOOLED	MATES TO
1733630001	7.5	10	39.80	18.10	19.90	9.45	YES	1733640001 & 1728320005
1733630009	7.5	12	46.80	21.60	23.40	9.45	NO	1728320018 & 1728320019
1733630012	7.5	6	25.80	11.10	12.90	9.45	NO	1728320026
1733630014	7.5	14	53.80	25.10	26.90	9.45	NO	1728320001

SYMBOLS DIMENSION UNITS: mm SCALE: 5:1 GENERAL TOLERANCES (UNLESS SPECIFIED) ANGULAR TOL: ± ° 4 PLACES: ± 3 PLACES: ± 2 PLACES: ± 0.15 1 PLACE: ± 0 PLACES: ± DRAFT WHERE APPLICABLE MUST REMAIN WITHIN DIMENSIONS	THIS DRAWING CONTAINS INFORMATION THAT IS PROPRIETARY TO MOLEX ELECTRONIC TECHNOLOGIES, LLC AND SHOULD NOT BE USED WITHOUT WRITTEN PERMISSION		CURRENT REV DESC: REVISED KEEP OUT ZONE ON SHEET 2			
	EC NO: 174569 DRWN: TPREMO 2018/04/03 CHK'D: KPELOZA 2018/01/17 APPR: KLANG 2018/04/05		NEOPRESS 6 ROW PLUG ASSY, LOW PROFILE 100 OHM			PRODUCT CUSTOMER DRAWING
INITIAL REVISION: DRWN: GMINNICK 2017/05/04 APPR: KLANG 2017/08/01		DOCUMENT NUMBER 1733630002	DOC TYPE PSD	DOC PART 000	REVISION C	
THIRD ANGLE PROJECTION		DRAWING E-SIZE	SERIES 173363	MATERIAL NUMBER SEE TABLE	CUSTOMER GENERAL MARKET	SHEET NUMBER 1 OF 2

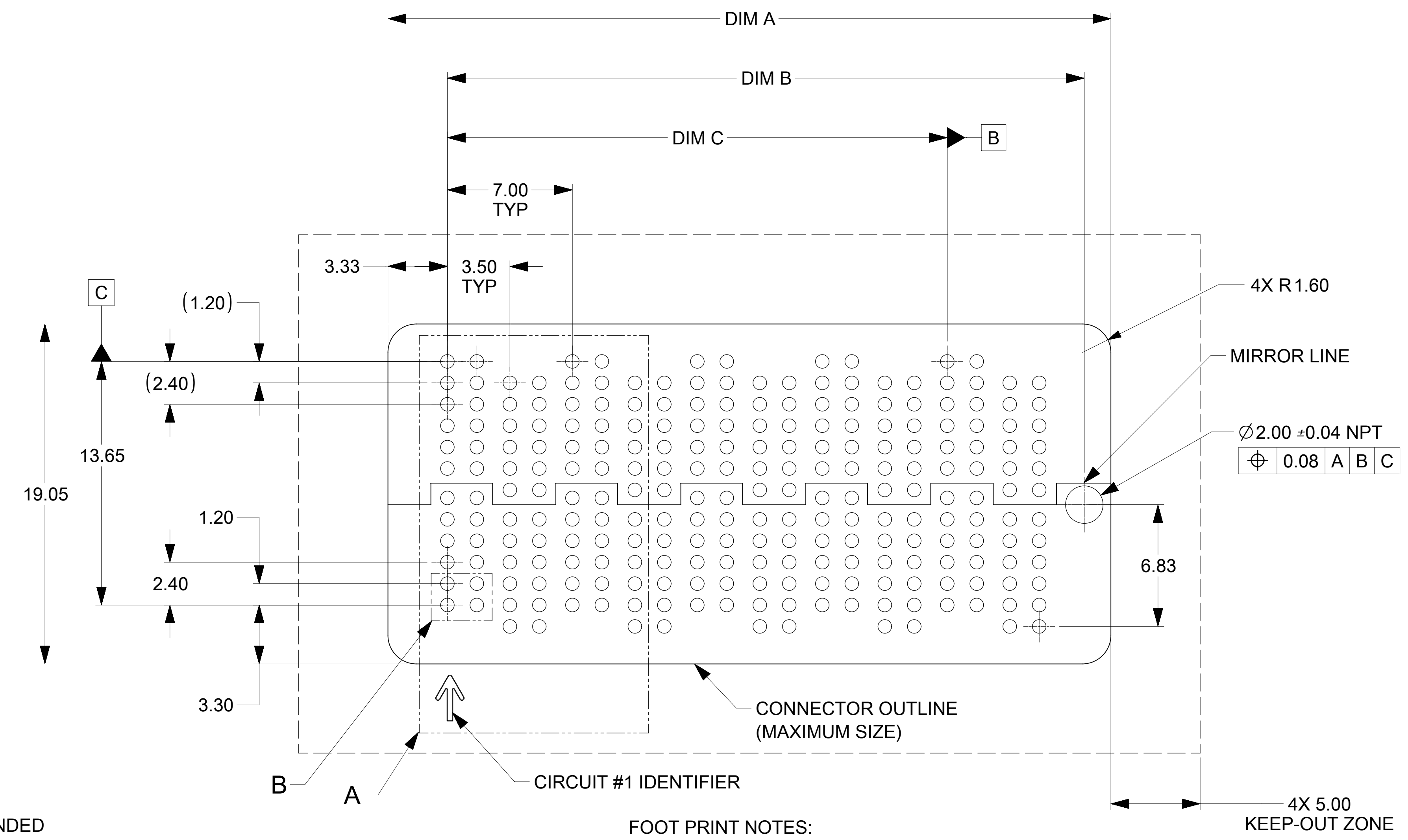
CIRCLED VIAS ARE CONNECTED TO THE SAME SHIELD TERMINAL. ALSO, ALL SHIELD VIAS ARE ELECTRICALLY INTERCONNECTED INSIDE THE CONNECTOR. (SEE CHART FOR EXCEPTIONS FOR POWER TERMINALS*. THE LOW SPEED TRIADS SHIELD TERMINALS MUST BE USED FOR GROUNDS ONLY AND MAY BE CONNECTED TO OTHER SHIELDS IN THIS CONNECTOR EXCEPT THE ELECTRICALLY ISOLATED SHIELDS).



DETAIL A
SCALE 12:1
NUMBERING SCHEME



DETAIL B
SCALE 16:1



FOOT PRINT NOTES:
1. DATUM -A- IS THE TOP OF THE PCB
2. ALL DIMENSIONS ARE BASIC

FOOT PRINT 6X10 SHOWN

MATERIAL NUMBER	NO. OF COLUMNS	DIM A	DIM B	DIM C	ELECTRICALLY ISOLATED SHIELDS *	LOW SPEED TRIADS *
1733630001	10	39.80	35.68	28.00	N/A	N/A
1733630009	12	46.80	42.68	35.00	N/A	N/A
1728010012	6	25.80	21.68	14.00	N/A	N/A
1728010014	14	53.80	49.68	42.00	N/A	N/A

SYMBOLS DIMENSION UNITS: mm SCALE: 4:1 GENERAL TOLERANCES (UNLESS SPECIFIED) ANGULAR TOL: ± ° 4 PLACES: ± 3 PLACES: ± 2 PLACES: ± 0.15 1 PLACE: ± 0 PLACES: ± DRAFT WHERE APPLICABLE MUST REMAIN WITHIN DIMENSIONS	THIS DRAWING CONTAINS INFORMATION THAT IS PROPRIETARY TO MOLEX ELECTRONIC TECHNOLOGIES, LLC AND SHOULD NOT BE USED WITHOUT WRITTEN PERMISSION		CURRENT REV DESC: SEE SHEET 1			
	EC NO: 174569		2018/04/03			NEOPRESS 6 ROW PLUG ASSY, LOW PROFILE 100 OHM
	DRWN: TPREMO		2018/01/17			
	CHK'D: KPELOZA		2018/04/05		PRODUCT CUSTOMER DRAWING	
	APPR: KLANG		INITIAL REVISION:		DOCUMENT NUMBER	
	DRWN: GMINNICK		2017/05/04		1733630002	
	APPR: KLANG		2017/08/01		DOC TYPE: PSD	
	THIRD ANGLE PROJECTION		DRAWING		DOC PART: 000	
	E-SIZE		SERIES		REVISION: C	
	173363		MATERIAL NUMBER		CUSTOMER	
SEE TABLE		GENERAL MARKET		SHEET NUMBER		
2 OF 2						