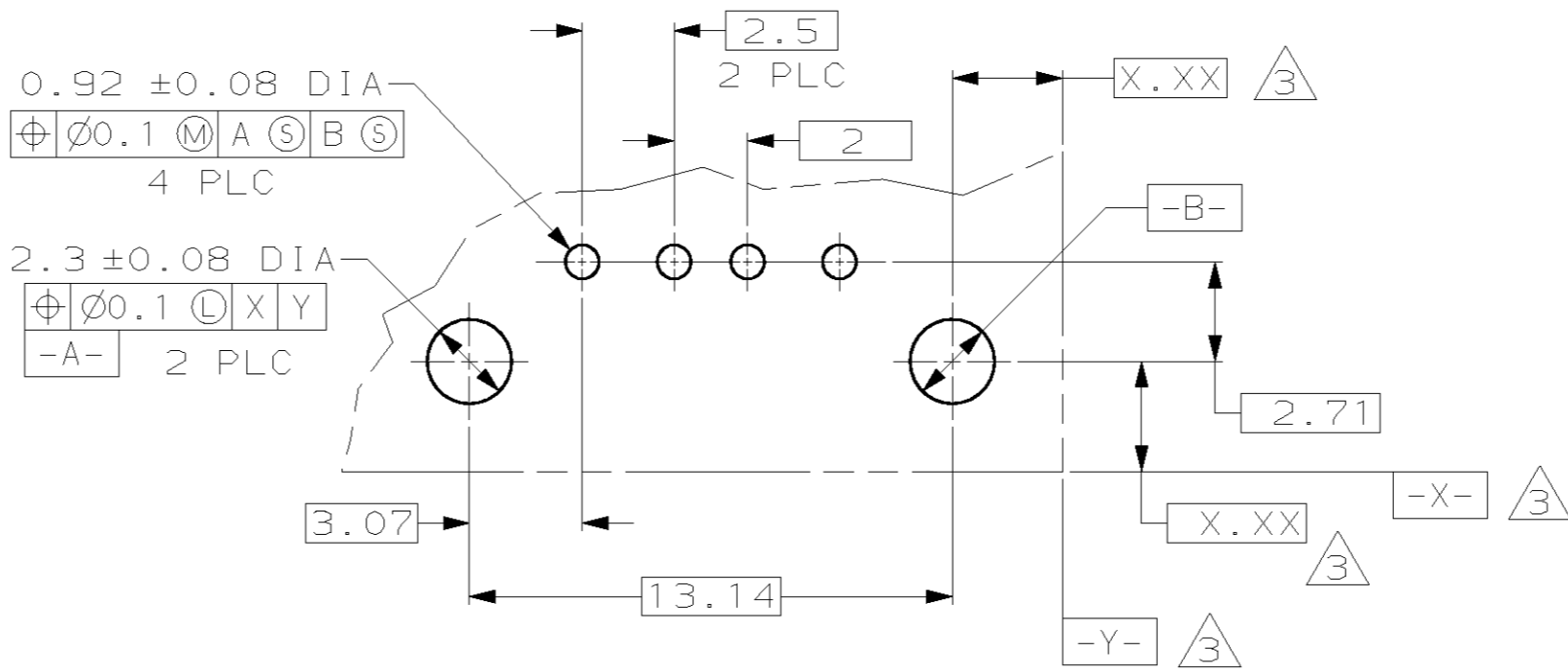
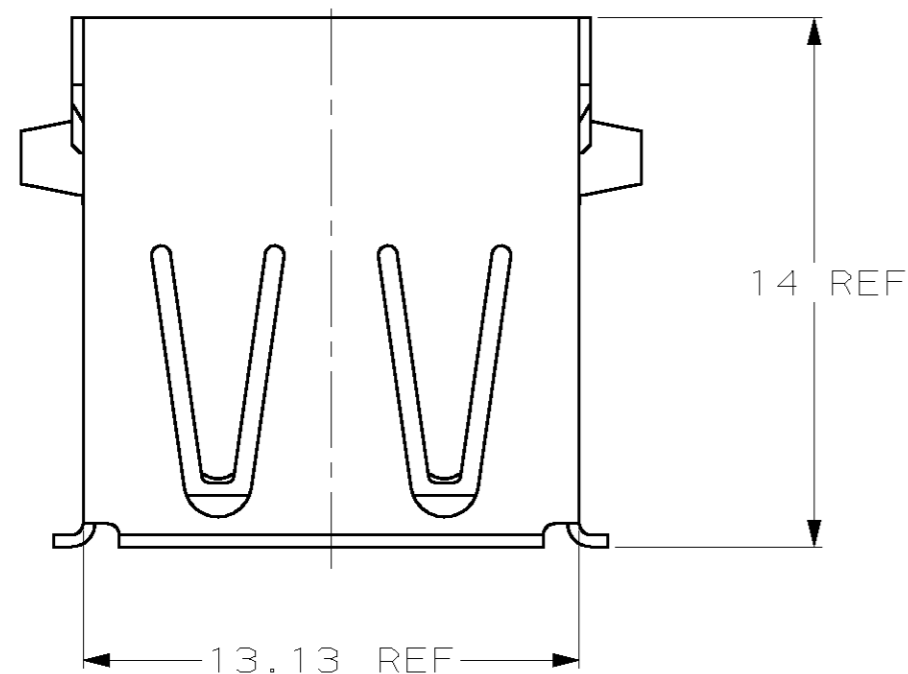
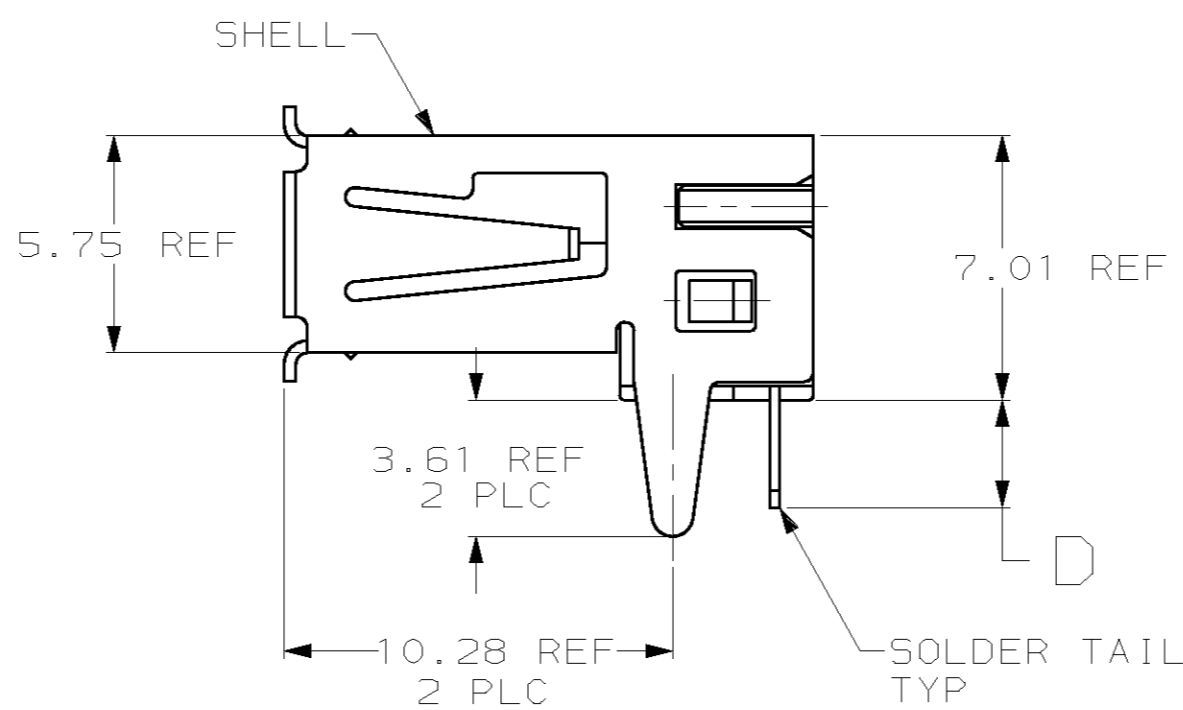
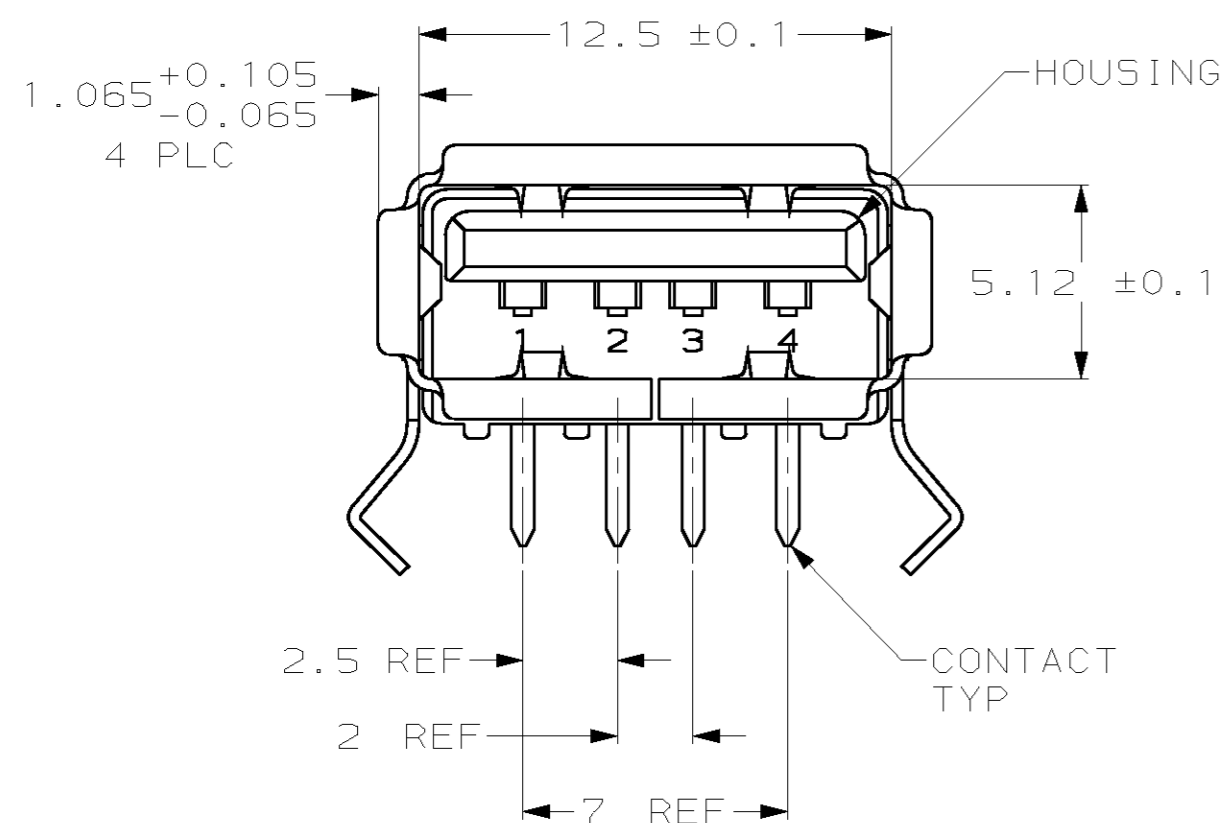


THIS DRAWING IS UNPUBLISHED. RELEASED FOR PUBLICATION
 BY AMP INCORPORATED. ALL RIGHTS RESERVED.

| LOC | DIST | REVISIONS | | | |
|-----|------|-----------------------------|---------|-----|------|
| P | LTR | DESCRIPTION | DATE | DWN | APVD |
| J | 00 | | | | |
| | K | REVISED PER EC 0513-0426-03 | 11JAN04 | JG | JG |



PC BOARD MOUNTING DIMENSIONS ⁴



- ¹ MATERIAL:
SHELL & CONTACTS- COPPER ALLOY.
HOUSING- UL 94V-0 RATED, THERMOPLASTIC, COLOR SEE TABLE.
- ² PLATING:
CONTACTS- 0.076µm MINIMUM GOLD OVER 0.76µm MINIMUM PALLADIUM-NICKEL ON MATING AREA.
3.8µm MINIMUM TIN-LEAD ON SOLDER TAILS.
BOTH OVER 1.27µm MINIMUM NICKEL.
CONTACT ALTERNATE PLATING: 0.76µm MIN GOLD ON MATING AREA, 3.80µm MIN TIN LEAD ON SOLDER TAILS, BOTH OVER 1.27µm MIN NICKEL.
SHELL: 5µm MINIMUM BRIGHT TIN OVER 2.5µm MINIMUM COPPER.
- ³ DATUM AND BASIC DIMENSIONS ESTABLISHED BY CUSTOMER.
- ⁴ RECOMMENDED PC BOARD THICKNESS OF 1.57.

| | | | |
|-----------------------------|------|---------------|-------------|
| YES | 2.29 | BLACK | 787616-6 |
| YES | 2.84 | NATURAL | 787616-5 |
| YES | 2.84 | BLACK | 787616-4 |
| NO | 2.84 | NATURAL | 787616-3 |
| NO | 2.29 | BLACK | 787616-2 |
| NO | 2.84 | BLACK | 787616-1 |
| HIGH TEMPERATURE COMPATIBLE | D | HOUSING COLOR | PART NUMBER |

| DIMENSIONS: | | TOLERANCES UNLESS OTHERWISE SPECIFIED: | | MATERIAL: | | DWN | | CHK | | APVD | | NAME | |
|------------------|--|--|-------|-----------|----|--|----------|-------------|----------|-----------|-----------|---|--|
| mm | | 0 PLC | ±- | 1 | ±- | M.E.SHIRK | 01/24/95 | WAYNE DAVIS | 01/24/95 | R. WALTER | 08 NOV 95 | AMP Incorporated Harrisburg, PA 17105-3608 | |
| | | 2 PLC | ±0.25 | 3 | ±- | RECEPTACLE ASSEMBLY, RIGHT ANGLE, 4 POSITION, THRU-HOLE, USB | | | | | | | |
| | | 4 PLC | ±- | ANGLES | ±- | SIZE CAGE CODE DRAWING NO | | | | | | | |
| | | FINISH | ±- | | | A2 | | 00779 | | C=787616 | | | |
| CUSTOMER DRAWING | | | | | | SCALE | | SHEET | | OF | | REV | |
| | | | | | | 5:1 | | 1 | | 1 | | K | |