

EV-T2CCS-M4X20-CTS - Repair kit



1295577

<https://www.phoenixcontact.com/us/products/1295577>

Please be informed that the data shown in this PDF document is generated from our online catalog. Please find the complete data in the user documentation. Our general terms of use for downloads are valid.



CHARX connect, Repair kit, Accessories, with DC contact holder with integrated front part of the DC contacts, HPC CCS type 2, IEC 62196-3-1, housing: black, Replacement without draining the coolant

Your advantages

- Complete product range
- Developed and produced in accordance with the IATF 16949 automotive standard and ISO 9001
- Maintenance-friendly replacement of the mating face frame without draining the coolant

Commercial data

Item number	1295577
Packing unit	1 pc
Minimum order quantity	1 pc
Sales key	EM01
Product key	XWBAFD
GTIN	4063151532598
Weight per piece (including packing)	202.3 g
Weight per piece (excluding packing)	193.3 g
Customs tariff number	85389099
Country of origin	DE

EV-T2CCS-M4X20-CTS - Repair kit



1295577

<https://www.phoenixcontact.com/us/products/1295577>

Technical data

Notes

General	Replacement without draining the coolant
---------	--

Product properties

Product type	Repair kit
Product family	CHARX connect
Type	Accessories
Design	with DC contact holder with integrated front part of the DC contacts
Charging standard	HPC CCS type 2
Charging mode	Mode 4

Material specifications

Color (Housing)	black (9005)
-----------------	--------------

Environmental and real-life conditions

Ambient conditions

Ambient temperature (operation)	-30 °C ... 50 °C
Ambient temperature (storage/transport)	-40 °C ... 80 °C

Standards and regulations

Standards

Standards/regulations	IEC 62196-3-1
-----------------------	---------------

EV-T2CCS-M4X20-CTS - Repair kit

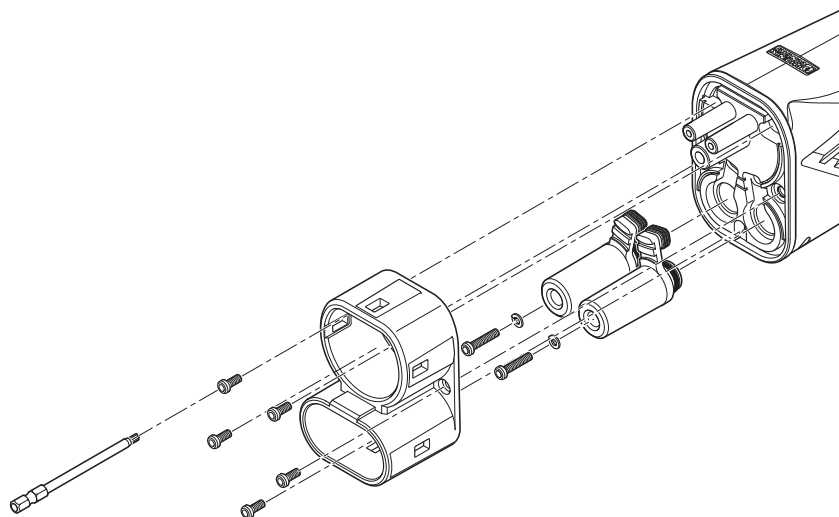


1295577

<https://www.phoenixcontact.com/us/products/1295577>

Drawings

Schematic diagram



Assembly drawing

EV-T2CCS-M4X20-CTS - Repair kit



1295577

<https://www.phoenixcontact.com/us/products/1295577>

Classifications

ECLASS

ECLASS-11.0	27144792
ECLASS-12.0	27144792
ECLASS-13.0	27144792

ETIM

ETIM 8.0	EC002884
----------	----------

UNSPSC

UNSPSC 21.0	39121500
-------------	----------

Phoenix Contact 2023 © - all rights reserved
<https://www.phoenixcontact.com>

Phoenix Contact USA
586 Fulling Mill Road
Middletown, PA 17057, United States
(+717) 944-1300
info@phoenixcon.com