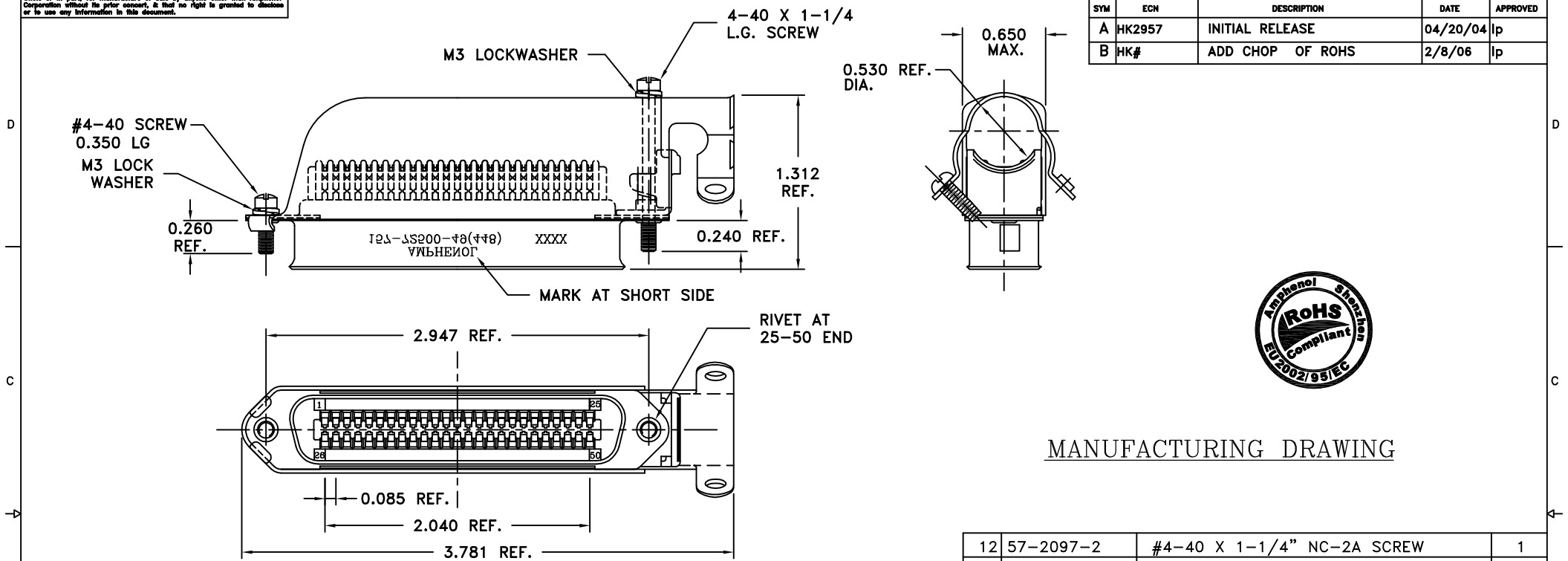


This document is the property of Amphenol Corporation and is delivered on the express condition that it is not to be disclosed, reproduced or used, in whole or in part, for manufacture or sale by anyone other than Amphenol Corporation without the prior consent, & that no right is granted to disclose or to use any information in this document.

REVISIONS				
SYM	ECN	DESCRIPTION	DATE	APPROVED
A	HK2957	INITIAL RELEASE	04/20/04	lp
B	HK#	ADD CHOP OF ROHS	2/8/06	lp



MANUFACTURING DRAWING

NOTES:

1. INK STAMP AMPHENOL & AMPHENOL PART NO. 157-72500-49(448) ON THE SHORT SIDE OF THE SHELL, CHARACTERS HEIGHT TO BE 1/16, INK TO BE BLACK PER 30-515-03.
2. MARK DATE CODE ONLY (DO NOT INCLUDE SOURCE CODE) PER AMPH SPEC #123-269 & #123-306, USE BLACK INK 30-515-03, CHARACTERS TO BE 1/16 TO 3/32 HIGH LOCATED IN AREA SHOWN.
3. METAL HOOD, CONNECTOR , SCREWS AND DUST COVER ARE SHIPPED LOOSE.
4. RIVET SHELLS & END BRACKET TOGETHER AT THE 25 & 50 CONTACT END OF CONNECTOR.
5. MATERIAL SHOULD BE FULFILLED AMPHENOL SPEC #SSN001

12	57-2097-2	#4-40 X 1-1/4" NC-2A SCREW	1
11	57-1763	50 WAY DUST COVER BLISTER CLEAR	1
10	57LE-4021-5-6	LOCK WASHER	2
9	157-1872-6	157 CONTACT PLUG 30G	50
8	57-1986-5-2	50 WAY FRONT SHELL	1
7	57-1987-4-2	50 WAY BACK SHEL ZN PLATED	1
6	57-2114-2	#4-40 X 0.35 LONG SCREW	1
5	57-1523-2	#4-40 X 3/8 TAPTITE SCREW	1
4	57-1043-2	BRACKET	1
3	57-2115-2	LOW PROFILE HOOD 50 WAY LARGE	1
2	57-1028-2	TAPPED RIVET # 4-40 ZINC	1
1	157-1771	50 WAY PLUG	1
ITEM NO	PART OR IDENTIFICATION NO	NOMENCLATURE OR DESCRIPTION	QTY REQ'D

PARTS LIST			
UNLESS OTHERWISE SPECIFIED <b>TOLERANCES</b> U.S.      METRIC .X    +/-    0.020 .XX   +/-    0.010 .XXX +/-    0.005 FRACTIONS +/- ANGLES +/- 1°	APPROVAL	DATE	<b>Amphenol</b>  TITLE 50 CONTACT PLUG ASSEMBLY RUNNING CABLE 25-50 END 28 & 26 AWG WIRE, LONG SCREW
	DRAWN XS.GUO	2/8/06	
	CHECKED		
FOR MATERIALS AND FINISHES SEE NOTES	DRAWING FILE : \\DRAWING\157\1577250049448.DWG		SCALE    NONE                      SHEET 1 OF 1
REMOVE SHARP EDGES	ANGLE OF PROJECTION		SIZE    DRAWING NO. <b>A3</b> 157-72500-49(448)
DIMENSIONS			REV. <b>B</b>
U.S.      INCHES			
(METRIC)			