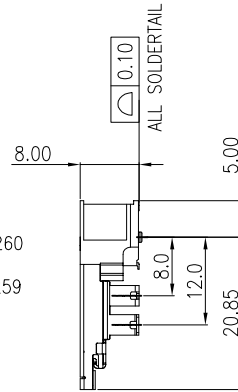
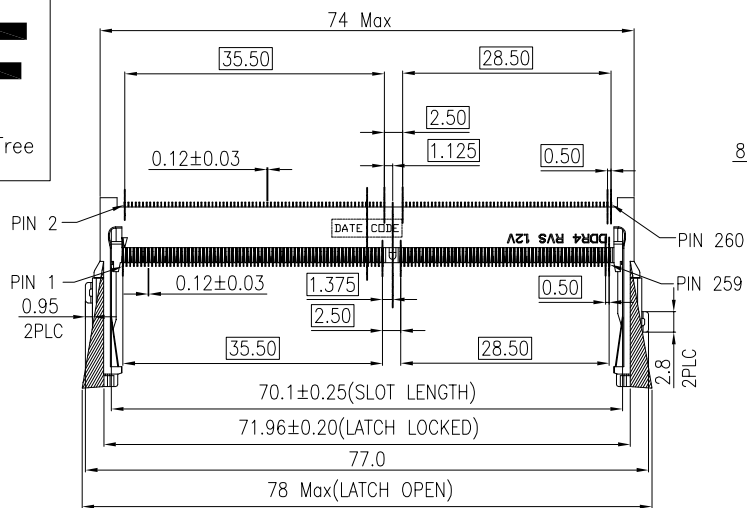


HF

Halogen Free



NOTES:

1. MATERIAL:

- 1.1 HOUSING:LCP,UL94V-0,COLOR:BLACK.
- 1.2 CONTACT:PHOSPHOR BRONZE.
- 1.3 SOLDER PEG AND LATCH:STAINLESS STEEL.

2. FINISH:

- 2.1 CONTACT: 50u" MIN NICKEL UNDERPLATED ALL OVER.
GOLD FLASH PLATING ON SOLDER TAIL.
GOLD PLATING (THICKNESS SEE TABLE) ON CONTACT AREA.

2.2 SOLDER PEG:

- 50u" MIN NICKEL UNDERPLATED ALL OVER.
AU 2u" MAX ON SOLDER TAIL.

3. DATE CODE : FYYWDLX

- YY: YEAR (09: 2009)
- WW: WEEK (25: THE 25TH WEEK)
- D: DAY (1~7: SUNDAY~SATURDAY)
- L: LINE NUMBER OF ASSEMBLY (A: LINE A)
- X: D OR N (D: DAY; N: NIGHT)

4. PART NUMBER DESCRIPTION:

10141996-0XX R LF

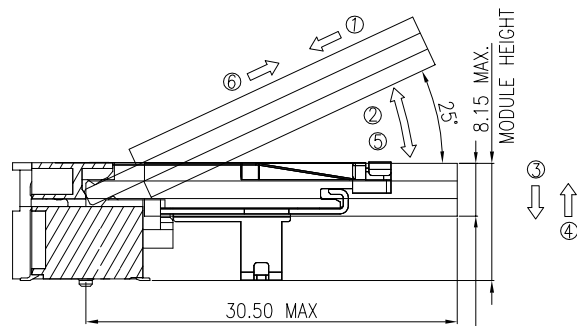
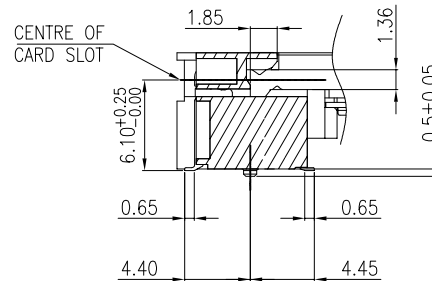
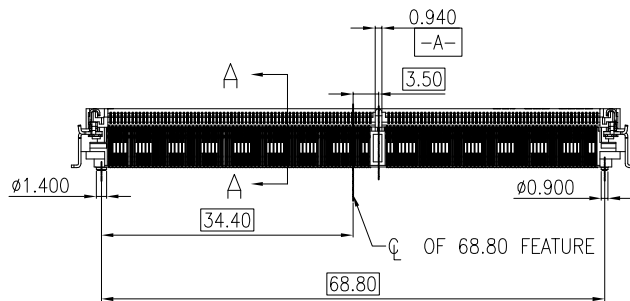
LF: LEAD FREE

R: TAPE & REEL PACKING

0: WITHOUT PE BAG&DESICCANT
 1: WITH PE BAG&DESICCANT

PLATING CODE:

- 1: GF
- 4: Au15u"
- 5: Au30u"



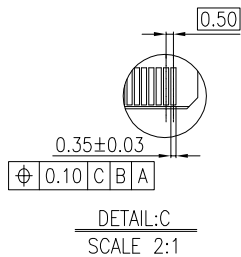
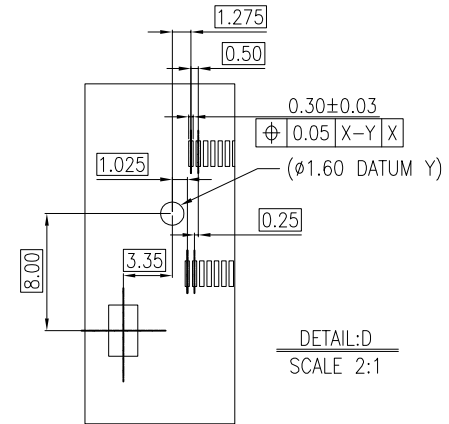
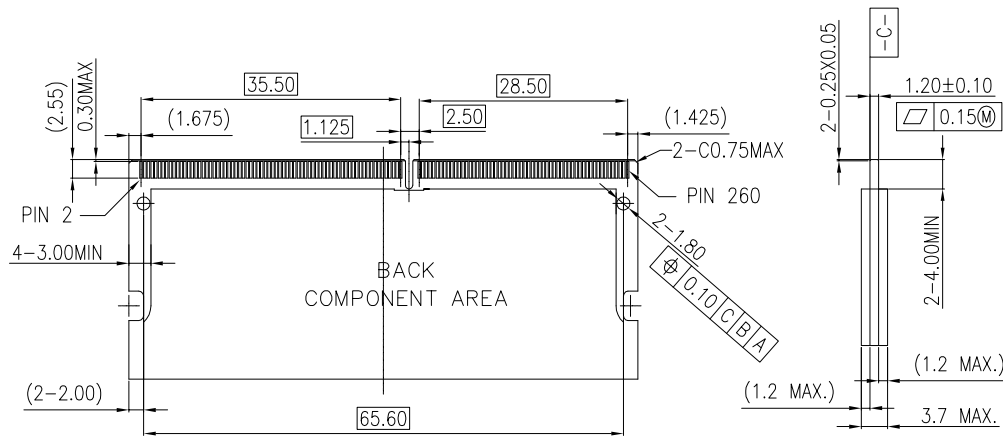
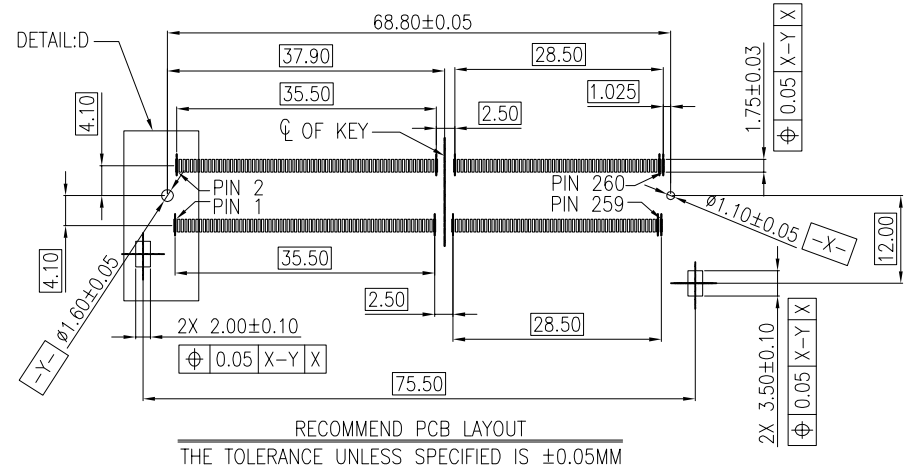
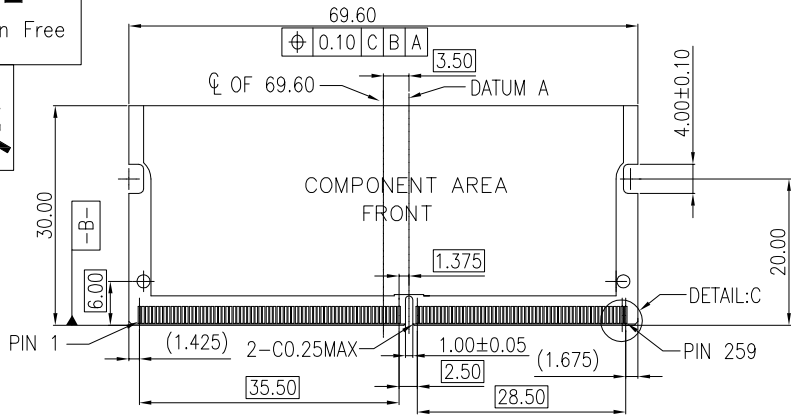
MATING/UNMATING VIEW
 SCALE 2:1

- MATING: ① INSERTING(30°) → ② ROTATING → ③ FIXED
 UNMATING: ④ UNFIXED → ⑤ ROTATING → ⑥ WITHDRAWING

mat'l. code		surface		tolerance		projection		product family	
-		-		ASME_Y14.5		⊕		DDR	
ltr		ecn no		dr		date		title	
								DDR4_SODIMM_260P	
								8.0H_RVS_ASSEMBLY	
								dwg no	
								sheet 1 of 3	
								size	
								A4	
								type	
								CUSTOMER Drawing	
sheet index		revision		A1					

HF

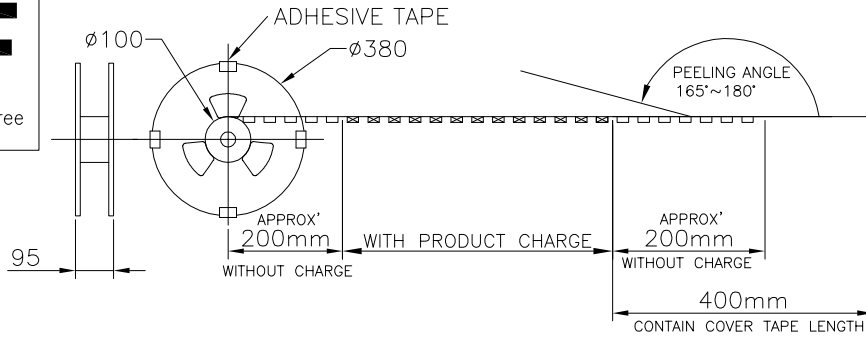
Halogen Free



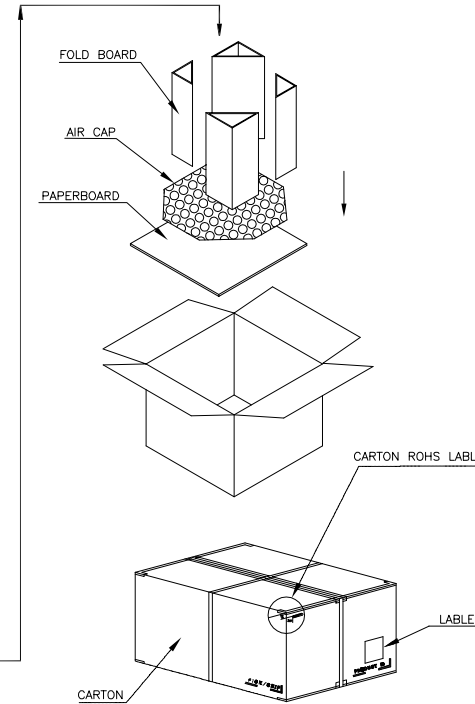
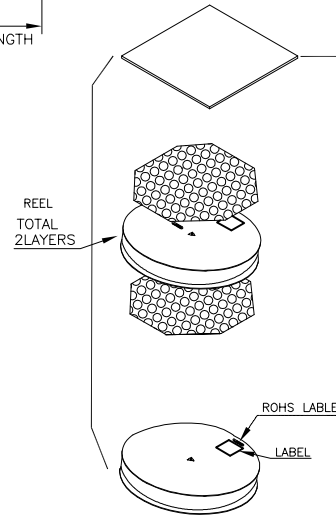
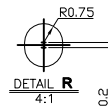
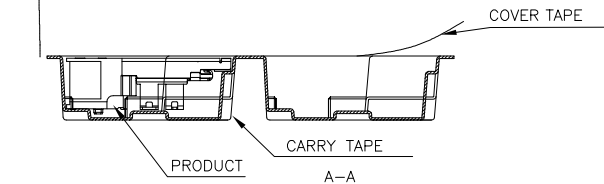
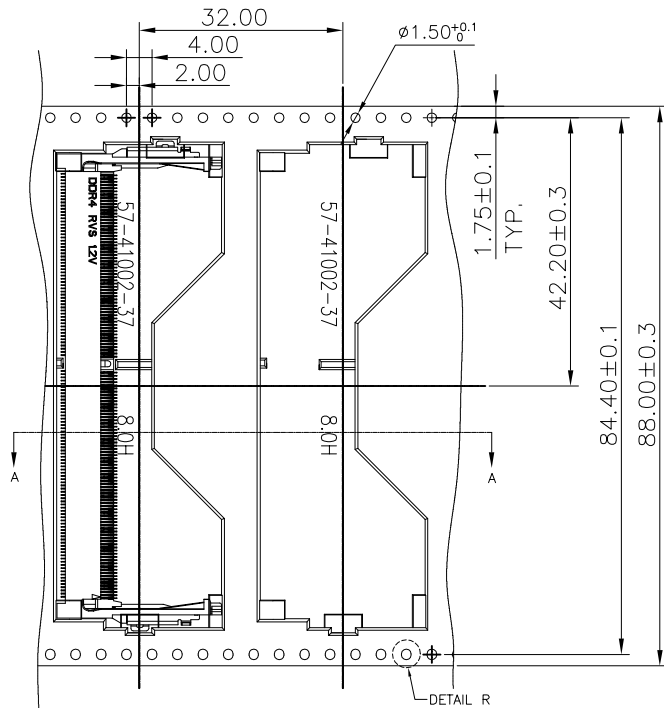
mat'l. code		surface		tolerance		projection		product family	
-		-		ASME_Y14.5				DDR	
ltr		ecn no		dr		date		title	
								DDR4_SODIMM_260P	
								8.0H_RVS_ASSEMBLY	
								sheet 2 of 3 size	
								A4	
								dwg no	
								10141996	
								type	
								CUSTOMER Drawing	
sheet index		revision sheet		A1					

HF

Halogen Free



PULL OUT DIRECTION →



250	2	500
PCS/ REEL	REEL/ CARTON	PCS/ CARTON

mat'l. code		surface	tolerance	projection	product family
-		-	ASME_Y14.5		DDR
ltr	ecn no	dr	date	title	
				DDR4_SODIMM_260P 8.0H_RVS_ASSEMBLY	
angles		line	tolerances unless otherwise specified	MM	scale N/A
±2°		±.00±0.10			
dr	WINSTON_ZHU	2021-09-14		Amphenol FCi	dwg no
engr	ZHENHAU_LIU	2021-09-14			sheet 3 of 3 size
chr	MARS_LONG	2021-09-14			10141996
appd	HEAVEN_CEN	2021-09-14			A4
sheet index	revision sheet	A1		type CUSTOMER Drawing	