

CABLE 385 RF: I-PEX MHF 4L PLUG TO SMA STRAIGHT BULKHEAD JACK WITH O-RING RATED IP67/68 TO MULTIPLE CABLE SIZES, 6GHz

SPECIFICATIONS :

- I-PEX MHF 4L PLUG, P/N:
FOR $\phi 1.13\text{MM}$ CABLE: 20565-001R-13.
FOR $\phi 1.37\text{MM}$ LL CABLE: 20632-001R-37.
- COAXIAL CABLE, SEE P/N OPTIONS FOR DETAIL.
- SMA STRAIGHT BULKHEAD JACK WITH O-RING RATED TO IP67/68, P/N: RFCT-SMA069-F78.

USAGE PRECAUTIONS: CABLES USING 'MICRO' COAX ARE DELICATE:

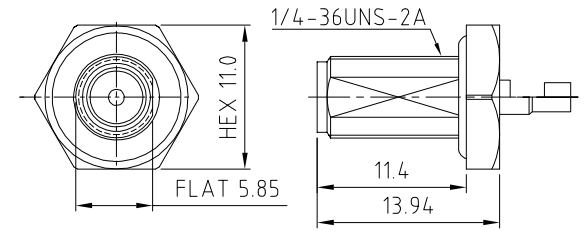
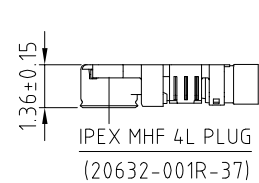
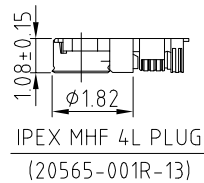
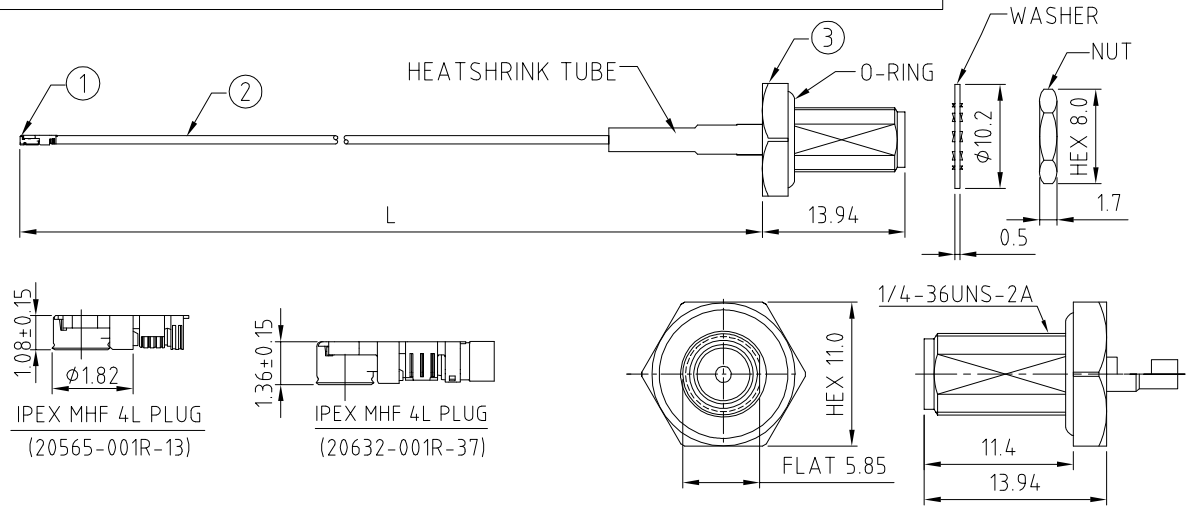
- HANDLE WITH CARE.
- DO NOT TWIST; APPLY EXCESSIVE FORCES OR SHARP BENDS TO THE CABLE. DO NOT FORCEFULLY DEFORM WIRES.
- CONSULT CONNECTOR MANUFACTURER'S DATASHEETS FOR DETAILED NOTES ON HANDLING INSTRUCTIONS.

ENVIRONMENTAL:

- BULKHEAD MOUNTED CONNECTOR (RFCT-SMA069-F78) RATED TO THE FOLLOWING SPECIFICATION:
 - IP6X - DUST TIGHT - NO PARTICLE INGRESS.
 - IPX7 WATERPROOF FOR 30 MINUTES UP TO 1 METER UNDERWATER.
 - IPX8 WATERPROOF FOR 48 HOURS AT 1 METER UNDERWATER.

NOTES:

- THE ORIENTATION OF CONNECTORS ON DRAWING IS FOR REFERENCE ONLY, IF THE ORDER IS LEFT BLANK THE CONNECTOR WILL NOT HAVE FIXED ORIENTATION.
- FIXED ORIENTATION IS SUGGESTED FOR CABLE LENGTH 50MM TO 100MM. PLEASE SPECIFY THE FIXED ORIENTATIONS FROM THE ORDER CODE (F1, F2, ETC)
- CONTACT GRADCONN IF THE ORIENTATION YOU REQUIRE IS NOT SHOWN.
- WORKING FREQUENCY RANGE: DC-6GHz.
- OPERATING TEMPERATURE: $-40^{\circ}\text{C} \sim +85^{\circ}\text{C}$.
- IMPEDANCE: 50 Ohm.



HOW TO ORDER

CABLE 385 RF - X X X - X X - X - X - X

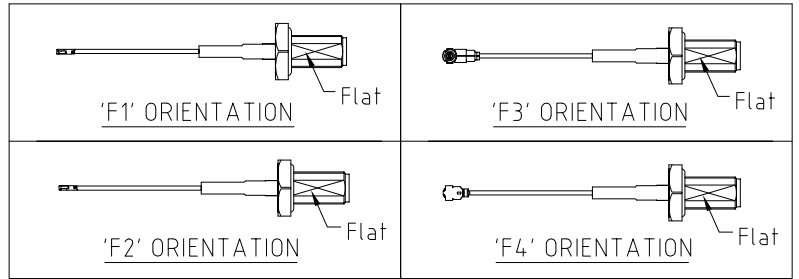
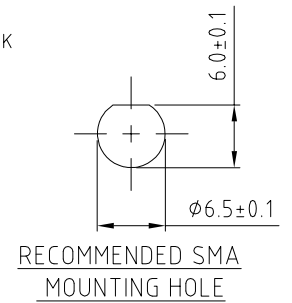
"L" LENGTH IN MM:
eg: 100MM = 100
(MIN. 050-MAX 400
STANDARD = 100, 150, 200)
Tolerance: 50-200mm: $\pm 5\text{mm}$.
201-400mm: $\pm 7\text{mm}$.

HEAT SHRINK TUBE COLOR:
BLANK = BLACK (STANDARD)
Y = YELLOW

CABLE SIZE:
2 = $\phi 1.13\text{MM}$ CABLE, COLOR: BLACK
3 = $\phi 1.37\text{MM}$ LOW LOSS CABLE, COLOR: BLACK

ORIENTATION OPTIONS:
BLANK = DOES NOT HAVE A FIXED ORIENTATION
F1 = MHF CONNECTION DOWN (L=50-200MM)
F2 = MHF CONNECTION UP (L=50-200MM)
F3 = MHF CONNECTION AND D FLAT SAME ORIENTATION (L=50-200MM)
F4 = MHF CONNECTION AND D FLAT OPPOSITE ORIENTATION (L=50-200MM)
(SEE NOTES 1, 2, 3 AND DIAGRAMS FOR MORE INFORMATION)

WASHER AND NUT OPTIONS:
BLANK = SEPARATELY PACKED (STANDARD)
A = ASSEMBLED WITH CONNECTOR



REV. DATE & DRN	10. 10/03/20 - NYW RELEASE
	11. 08/04/20 - NYW REMOVE 081 CABLE OPTION. ADD 113 CABLE OPTION.
	12. 20/04/20 - CC. ADD HEATSHRINK TUBE COLOR OPTIONS.
	13. 28/04/20 - NY ADD NOTE 7.
	14. 24/07/20 - NYW REMOVE NOTE 7.
	15. 30/08/22 - NYW ADD CABLE SIZE OPTION 3.
	16. 22/02/23 - NYW ADD 20632-001R-37 DRAWING.

Scale: NTS	THIRD ANGLE	Unstated X XX XXX ANGLES	Tolerances: N/A N/A N/A N/A
Drawn: NYW			
App'd: XXX	Title CABLE ASSEMBLY		
Date: 22 FEB. '23	Revision: 16	Unit: mm	

IP67/68 Rated Cables

www.gradconn.com

© THIS DRAWING IS CONFIDENTIAL AND MUST NOT BE COPIED OR DISCLOSED WITHOUT WRITTEN CONSENT

Type: Cable 385 RF
CABLE 385 RF
Drawing Number:
Sheet 1 of 1
Drawing © E and O E